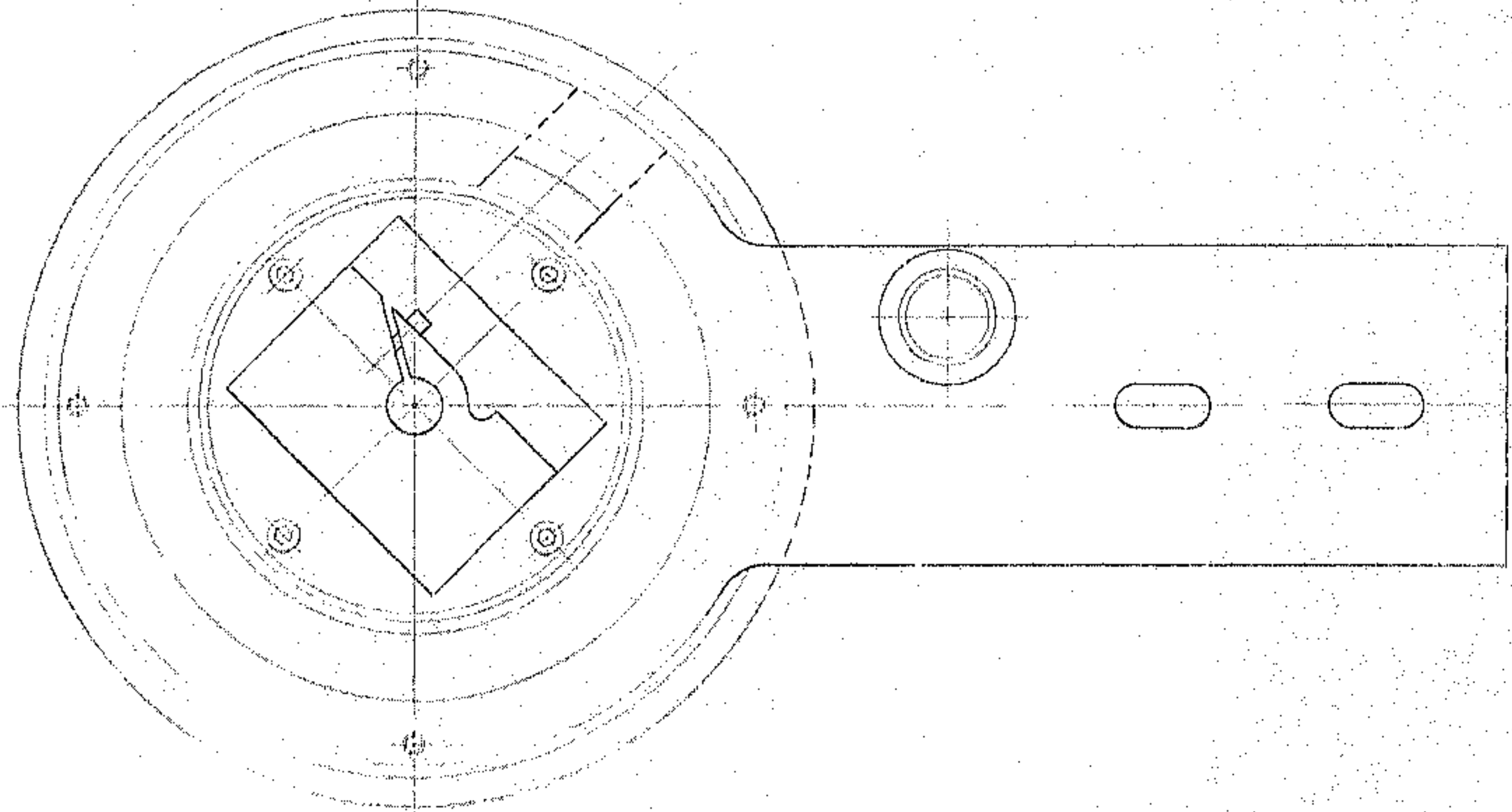
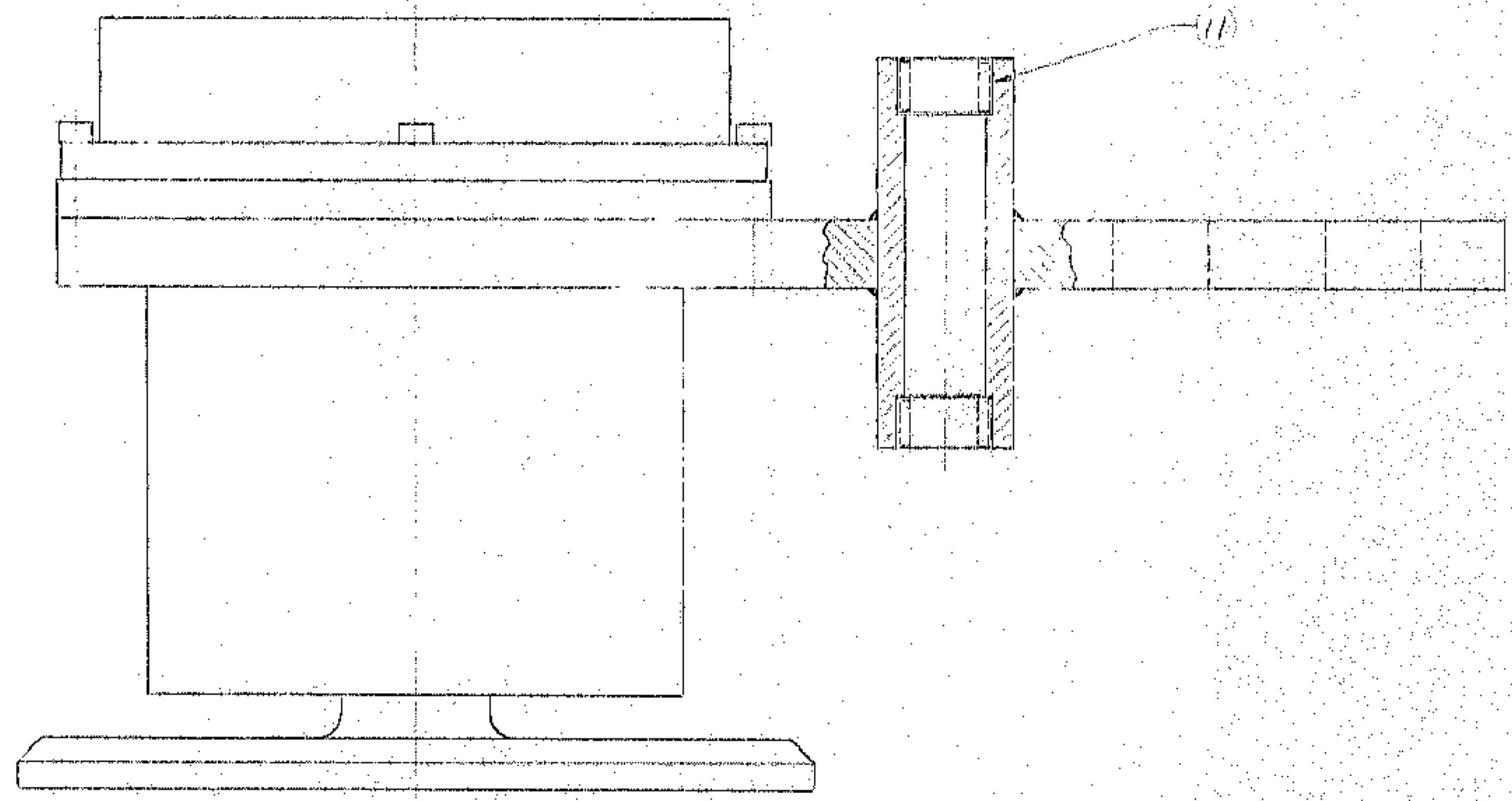
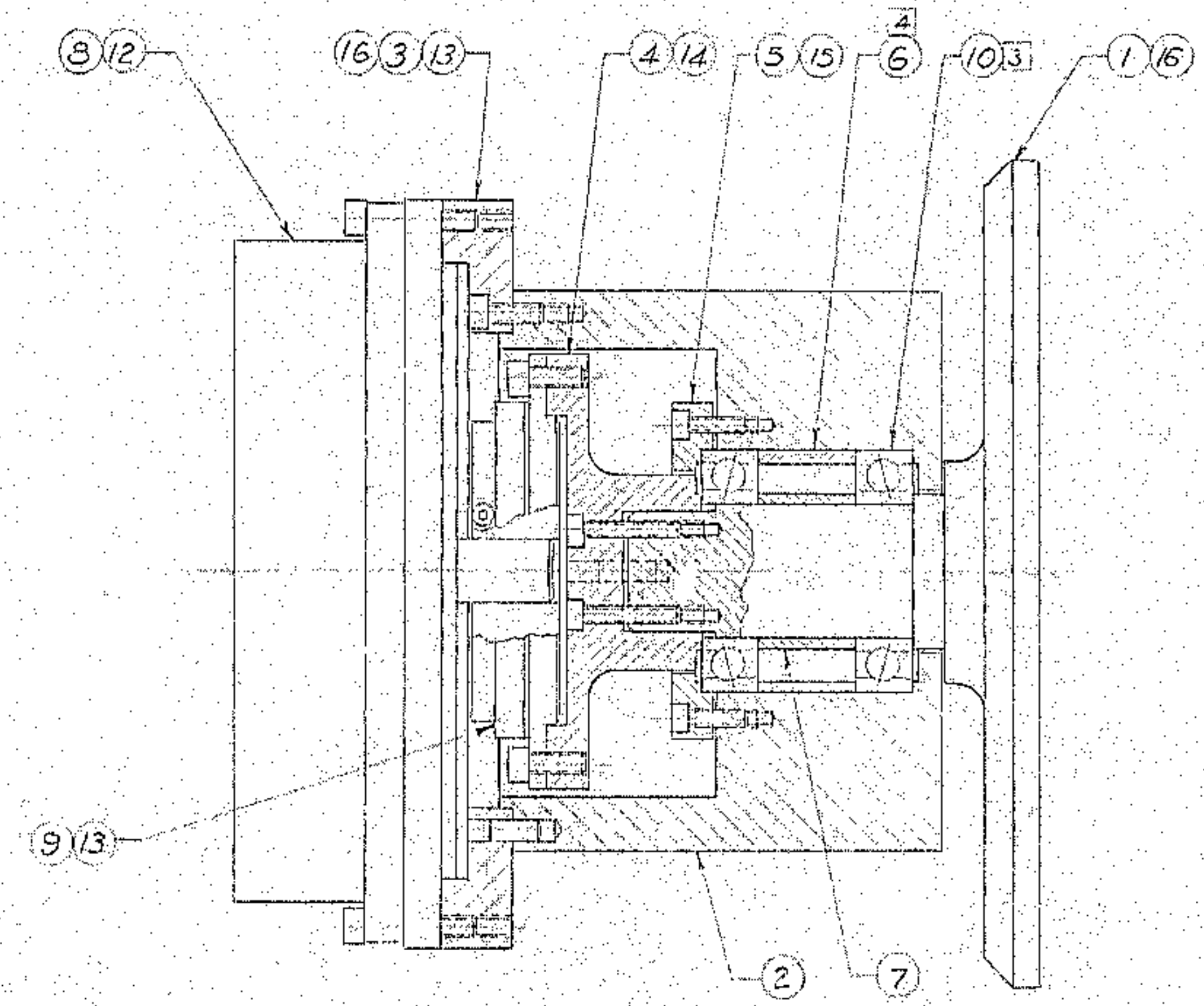


- NOTES: UNLESS OTHERWISE NOTED**
1. REMOVE ALL BURRS AND SHARP EDGES
  2. MACHINED SURFACE ROUGHNESS  $125/\sqrt{R}$
  3. PACK BALL BEARINGS WITH DOW CORNING MOLYKOTE 33 LIGHT GREASE PRIOR TO ASSEMBLY
  4. IF TORQUE SEEMS EXCESSIVE TO ROTATE QUILL, REDUCE THIS SPACER LENGTH BY .0002 TO .0003

REVISIONS						
ZONE	LTR	DESCRIPTION	ECR	DATE	BY	APP'D
A		ADDED N/A 2150.0005605E	3316	5-7-93	JHE	178



ENCODER NOT SHOWN IN THIS VIEW



QTY REQD	PART OR IDENTIFYING NO.	DESCRIPTION	MATERIAL/SPECIFICATION	ZONE	ITEM NO.
	2	$\frac{3}{16} \times \frac{1}{2}$ DOWEL		3D	16
	6	8-32 x $\frac{1}{2}$ SOC. HD. CAP SCR		2D	15
	4	8-32 x 1 SOC. HD. CAP SCR		2D	14
	10	10-32 x $\frac{1}{2}$ SOC. HD. CAP SCR		3D	13
	4	10-32 x 1 SOC. HD. CAP SCR		4D	12
	2	GBH-108 TORRINGTON ROLLER BEARING		5B	11
	2	2MM810GH100 TAPNIR BALL BEARING		2D	10
	1	K15 HEIDENHAIN COUPLING		4C	9
	1	ROD900 HEIDENHAIN ENCODER		4D	8
	1	A503 INNER SPACER		2B	7
	1	A502 OUTER SPACER		2D	6
	1	B502 BEARING RETAINER		2D	5
	1	C506 COUPLING FLANG		2D	4
	1	C505 PIVOT ARM		3D	3
	1	C504 BEARING HOUSING		2B	2
	1	2150340-C503 QUILL ASSEMBLY		1D	1

**PARTS LIST**

**TOLERANCES**  
UNLESS OTHERWISE NOTED  
DECIMALS: FRACTIONS  
XX ± .03 ± --  
XXX ± .010 ANGULAR ± 0° 30'

NEXT ASSEMBLY:  
2150.340-B502  
2150.0005605E

**KITT PEAK NATIONAL OBSERVATORY**  
OPERATED BY THE  
ASSOCIATION OF UNIVERSITIES FOR RESEARCH IN ASTRONOMY, INC.  
UNDER CONTRACT WITH  
NATIONAL SCIENCE FOUNDATION

NAME: **ENCODER-QUILL ASSEMBLY**      SER. FILE: **1186**

SCALE: **FULL**      DWG. NO.: **2150.340-D502 A**

DESIGNED BY: **JHE**      DATE: **11-12-84**      APPROVED BY: **JHE**      DATE: **11-12-84**

PRINTED BY: **JHE**      DATE: **11-12-84**      CHECKED BY: **JHE**      DATE: **11-12-84**