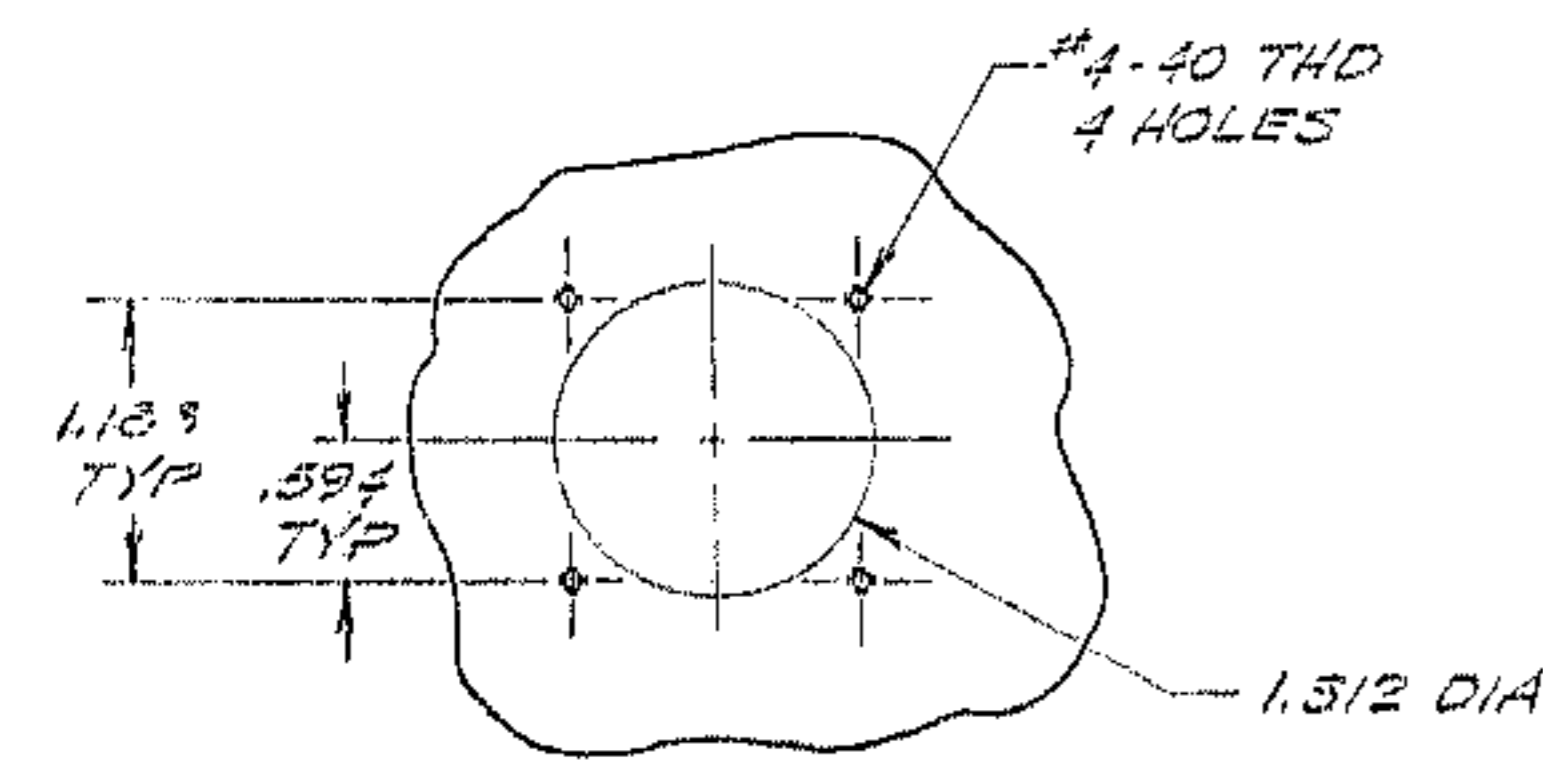
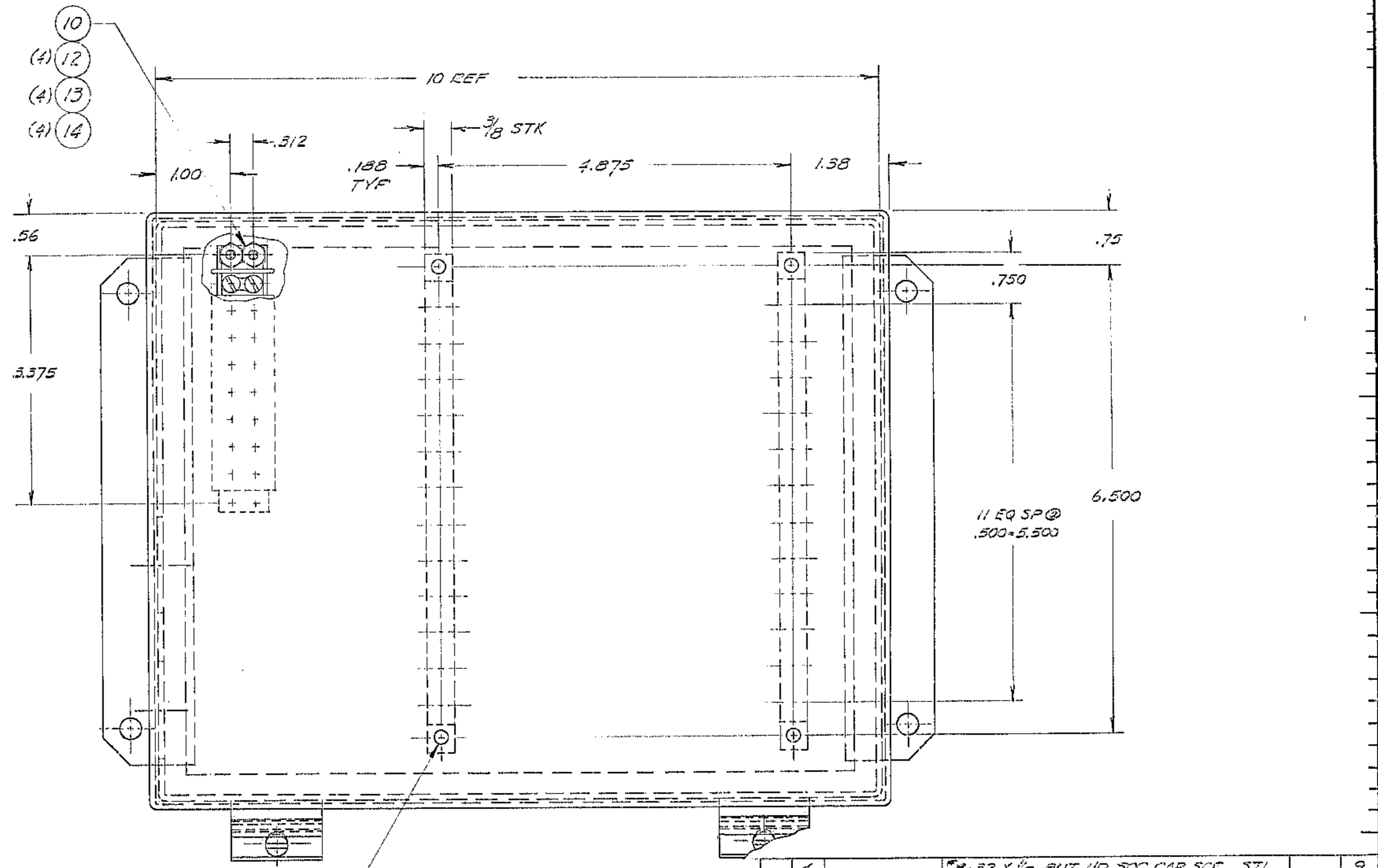
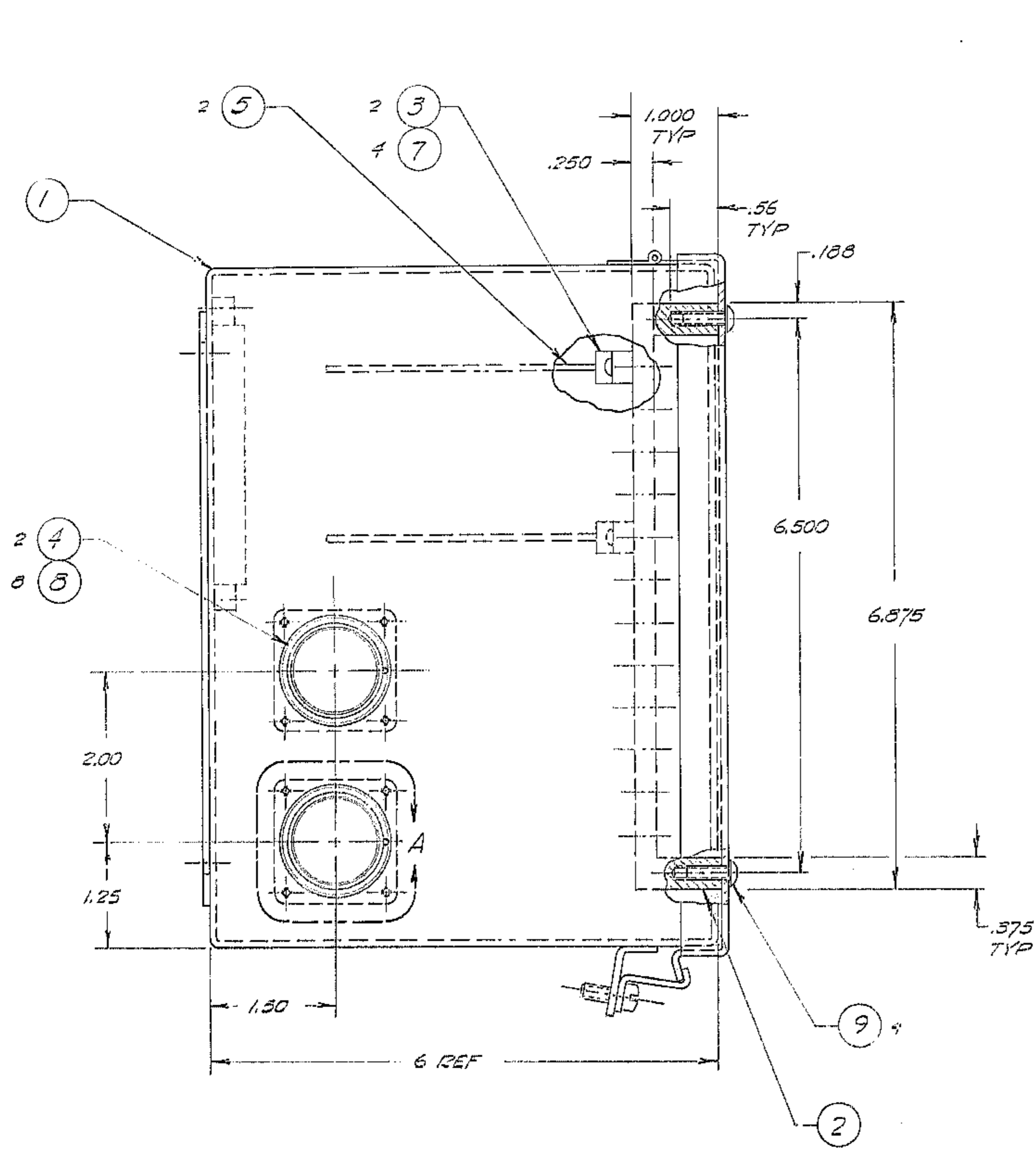


- NOTES: UNLESS OTHERWISE NOTED
 1. REMOVE ALL BURRS AND SHARP EDGES .010
 2. MACHINED SURFACE ROUGHNESS $\sqrt{125}$
 3. BLACK SULFURIC ANODIZE - ITEM 2 ONLY

REVISIONS					
ZONE	LTR	DESCRIPTION	ECR	DATE	BY APVD



DETAIL A
 TYP 2 PLACES
 SCALE 1/1

QTY REQD	PART OR IDENTIFYING NO.	DESCRIPTION	MATERIAL/SPECIFICATION	ZONE	ITEM NO.
4	#8-32 X 1/2 BUT HD SOC CAP SCR	STL		9	9
8	#4-40 X 3/16 BUT HD SOC CAP SCR	STL		8	8
4	#4-40 X 1/2 SO HD MACH SOC	BES		7	7
				6	6
2	PC CARD			8D	5
2	750-57-0PN	RECEPTACLE	DEUTSCH	8C	4
2	CPH 7000-86	PC WIRE WRAP CONN	STANFORD	7D	5
2	2150-340-018	STANDOFF	3/8 X 1/8 AL ALY PL	6B	2
1	1-10086CH	BOX, HINGED COVER	HOFFMAN	8D	1

TOLERANCES UNLESS OTHERWISE NOTED
 DECIMALS FRACTIONS
 .XX ± .03 ± —
 .XXX ± .010 ANGULAR ± 0° 30'

PARTS LIST

KITT PEAK NATIONAL OBSERVATORY
 OPERATED BY THE ASSOCIATION OF UNIVERSITIES FOR RESEARCH IN ASTRONOMY, INC.
 UNDER CONTRACT WITH NATIONAL SCIENCE FOUNDATION

NAME: **BOX ASSY-RA 6 DEC ENCODER ELECTRONICS**

REP FILE: 1106 DWG NO. 2150-340-D-05

SCALE: 1/1 UNLESS NOTED

DATE: 10-21-83

QTY REQD	PART OR IDENTIFYING NO.	DESCRIPTION	MATERIAL/SPECIFICATION	ZONE	ITEM NO.
5	#4 LOCK WASHER			15	15
4	#4-40 HEX NUT			13	13
4	#4-40 X 1/2 BUT HD SOC CAP SCR	STL		12	12
				11	11
1	B-17C	BARRIER STRIP	CINCH	5D	10