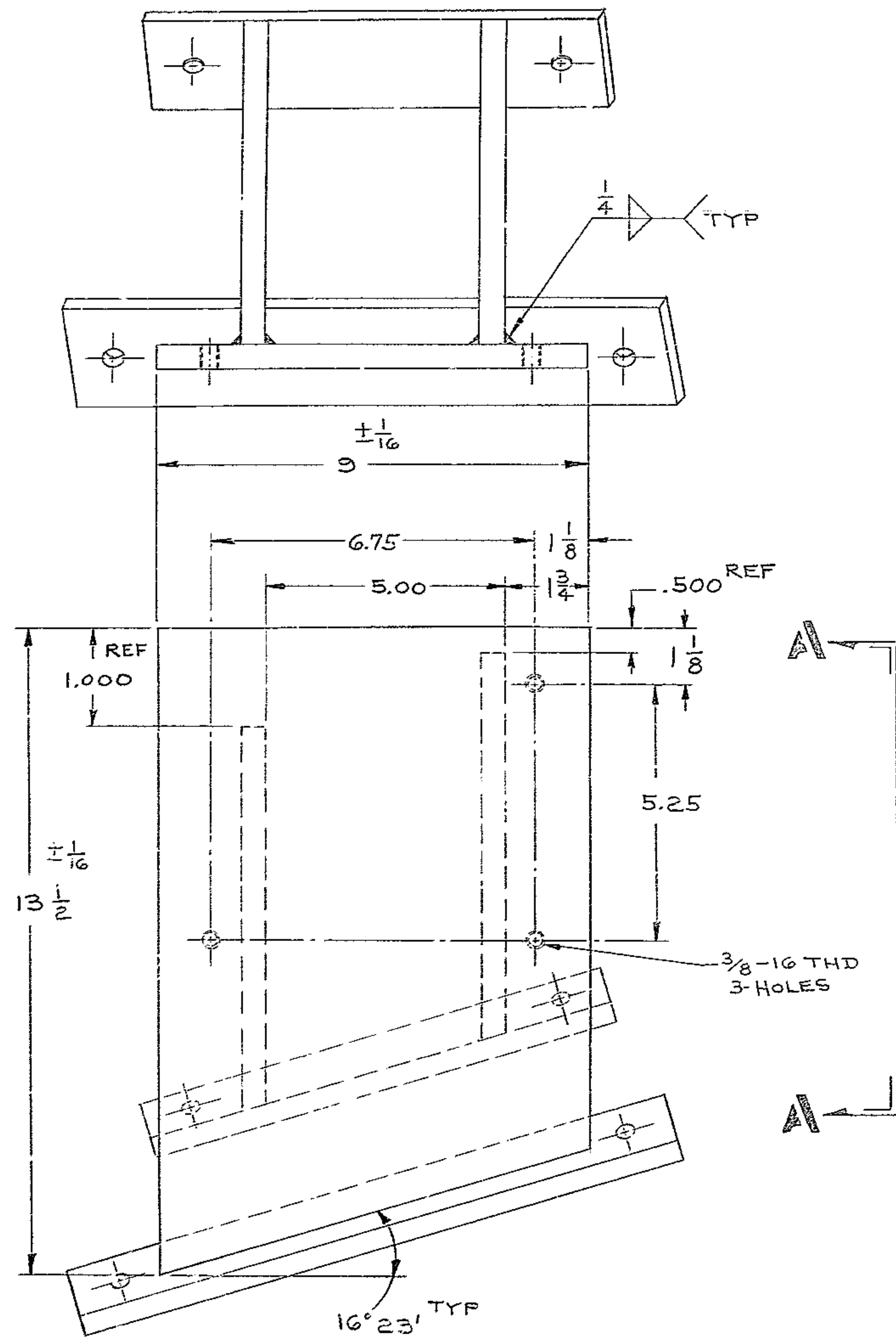
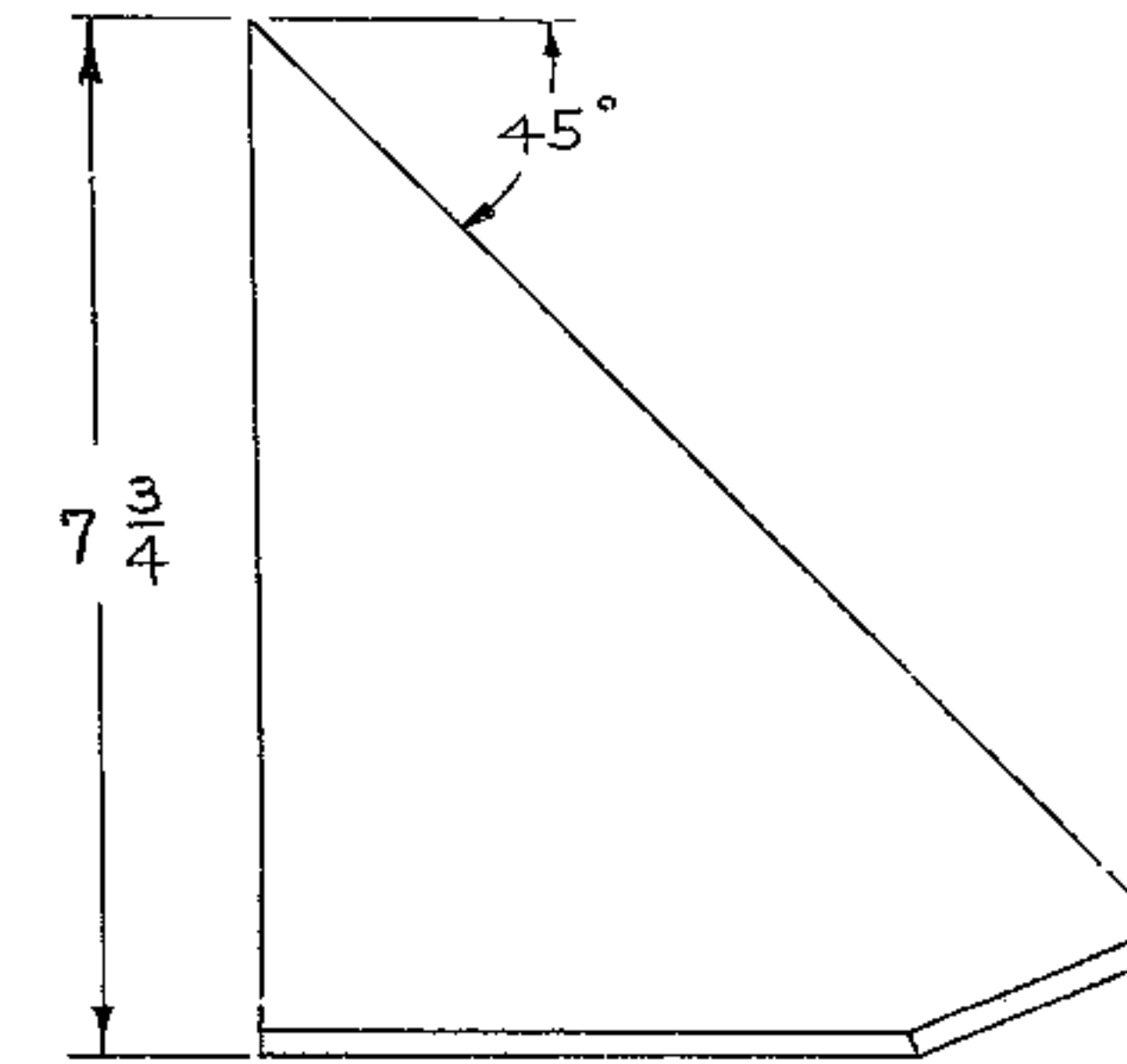
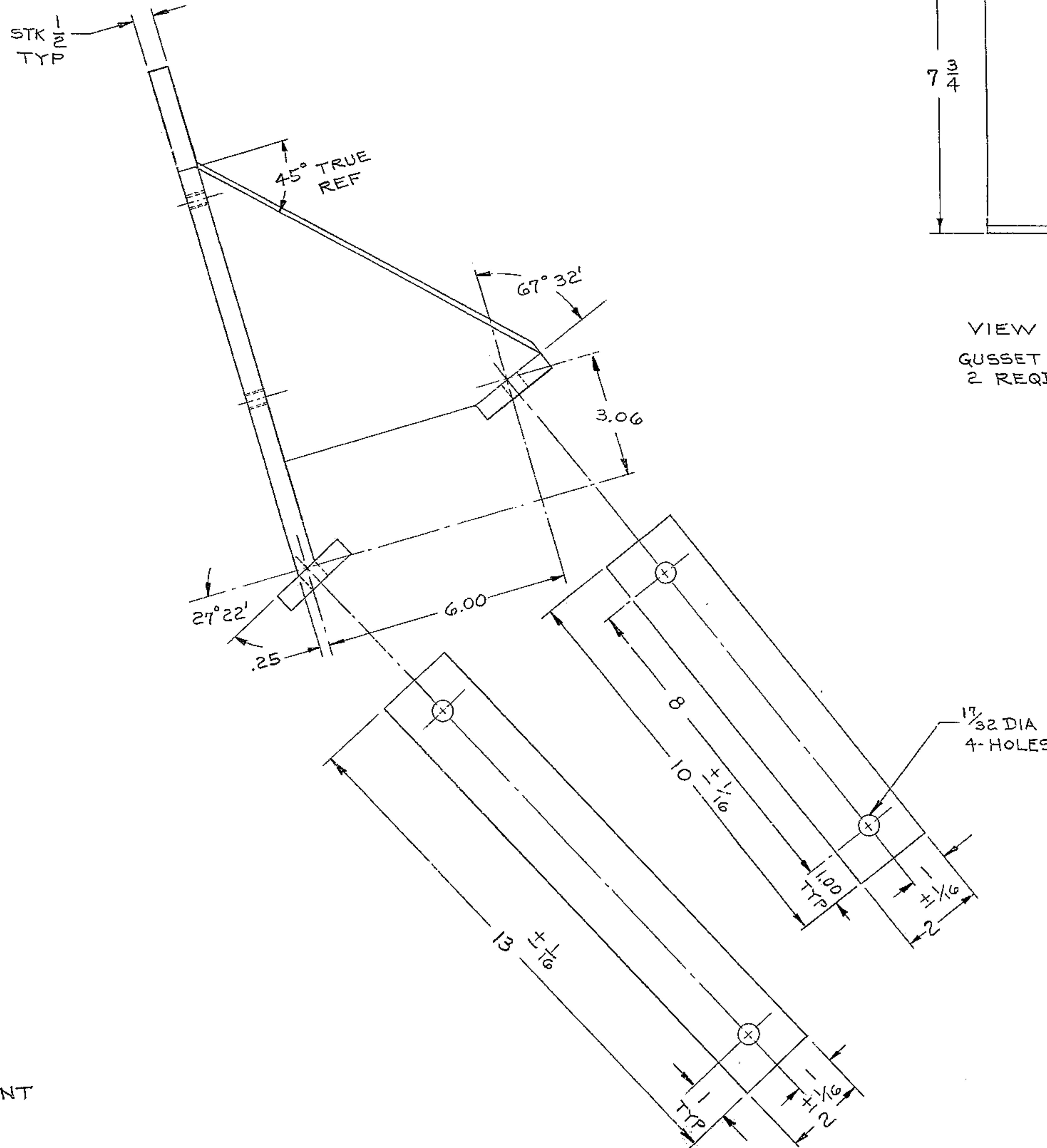


BILL OF MATERIAL

ITEM	QTY.	MATERIAL	DESCRIPTION	WEIGHT
------	------	----------	-------------	--------



BRACKET WELDMENT
MATERIAL: STEEL
1-REQD



- 6-FINISH: 2 COATS RED OXIDE PRIMER
5-BREAK SHARP EDGES .03
4-IDENTIFY BY _____ AT LOCATION 4, "AURA INC. MADE IN U.S.A."
3-STAMP MATCH MARKS ON ALL MATING PARTS WHERE NECESSARY.
2-PROJECT DRAWINGS _____
1-FOR NEXT ASSY. SEE 2120-E154
- NOTES-

TOLERANCES UNLESS OTHERWISE NOTED				KITT PEAK NATIONAL OBSERVATORY	
DECIMAL DIMENSIONS 00.00 ± .010 00.000 ± .003				OPERATED BY THE ASSOCIATION OF UNIVERSITIES FOR RESEARCH IN ASTRONOMY, INC. UNDER CONTRACT WITH NATIONAL SCIENCE FOUNDATION	
FRACTIONAL DIMENSIONS UP TO 10' ± 1/64 10' TO 50' ± 1/32 50' & OVER ± 1/16				150 INCH STELLAR TELESCOPE REF. FILE: 1186	
ANGLES ± 0° - 30'				NAME D. A. SYNCRO TRANSMITTER MOUNTING BRACKET SCALE 1/2 PRINT ISSUED	
ALL SURFACES 125/ FINISH TO HAVE ✓ FINISH UNLESS OTHERWISE NOTED.				DRAWING NUMBER 2150.340-D206	
DESIGNED BY J. B. H.	DATE 5-4-72	APPROVED BY A. A. A.	DATE 5-4-72	DRAWING NUMBER	REV.
DRAWN BY D. L. B.	DATE 5-4-72	APPROVED BY [Signature]	DATE 5-21-72	2150.340-D206	
CHECKED BY [Signature]	DATE 5-4-72	APPROVED BY	DATE		
LET.	REVISION	ECR	DATE	BY	