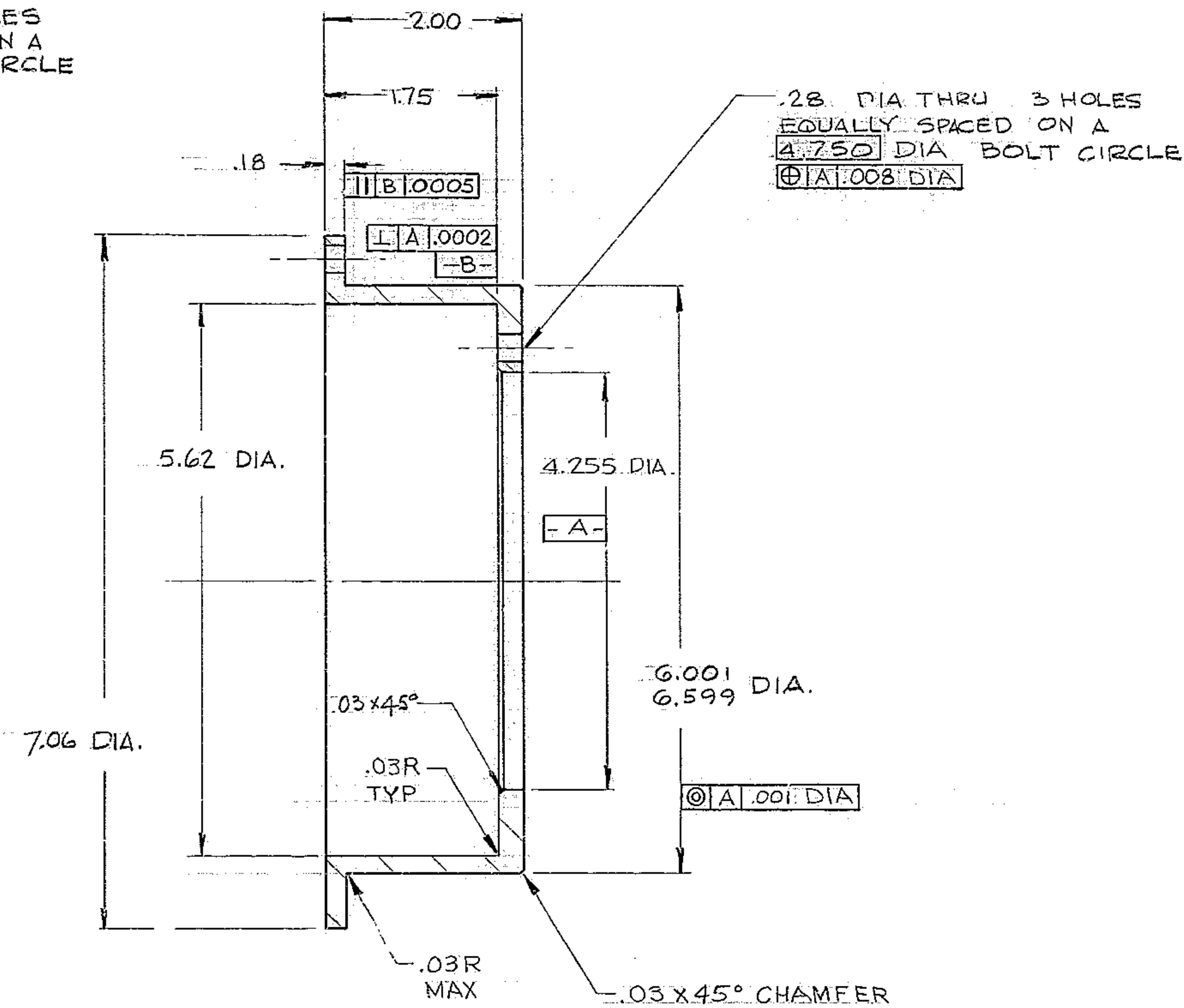
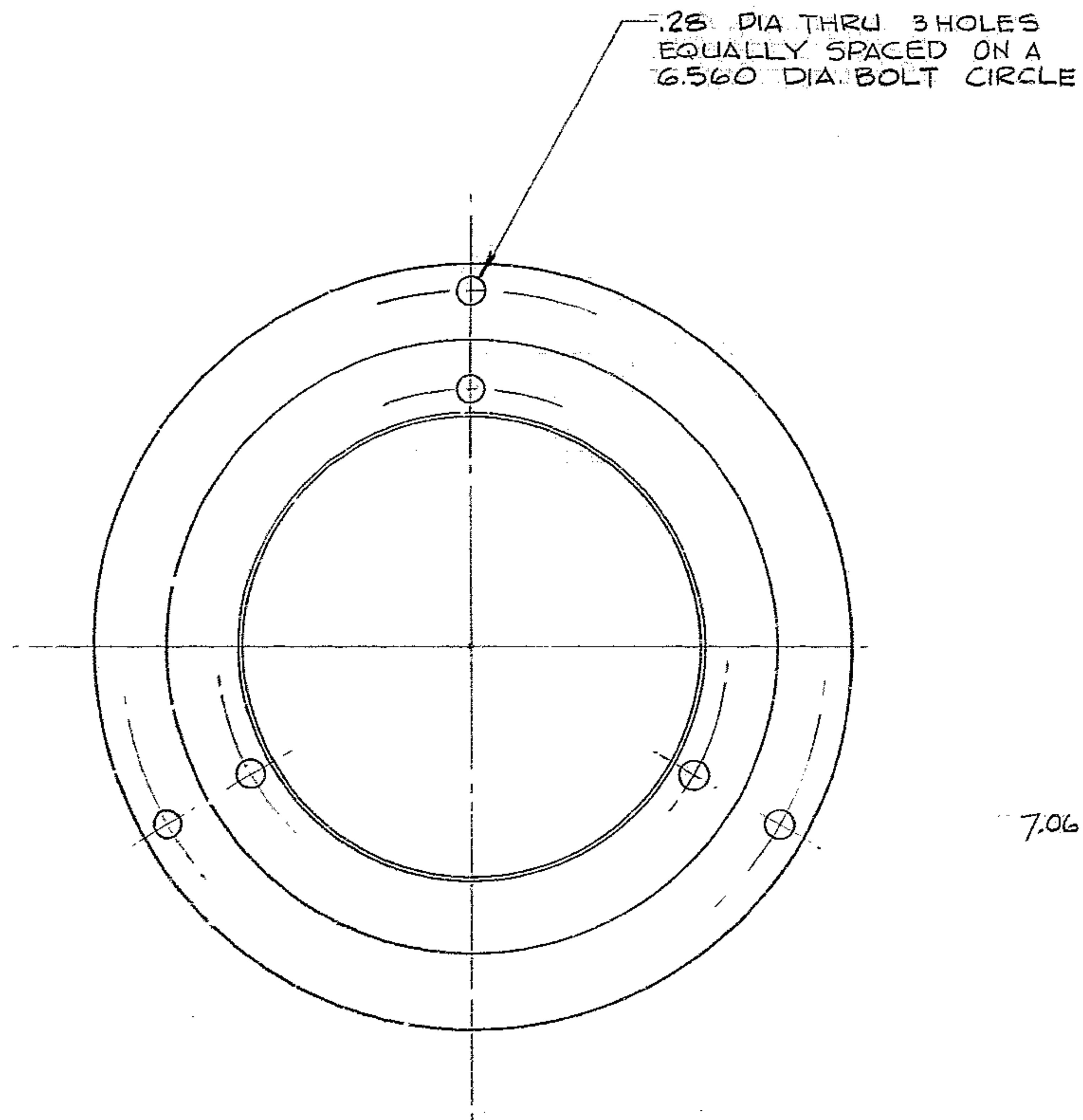


BILL OF MATERIAL

ITEM	QTY.	MATERIAL	DESCRIPTION	WEIGHT
				1.84



- 7-MATL: AL ALLOY
 6-BLACK ANODIZE PER MIL-A-8625 TYPE II, CL 2
 DIMENSIONS HELD AFTER COATING
 5-INTERPRET DWG PER USAS1-Y145-1966
 4-IDENTIFY BY TAG AT LOCATION 4 "AURATING-MADE IN U.S.A."
 3-STAMP MATCH MARKS ON ALL MATING PARTS WHERE NECESSARY.
 2-PROJECT DRAWINGS
 1-FOR NEXT ASSY. SEE 2150.340E 002
- NOTES:

TOLERANCES UNLESS OTHERWISE NOTED		KITT PEAK NATIONAL OBSERVATORY OPERATED BY THE ASSOCIATION OF UNIVERSITIES FOR RESEARCH IN ASTRONOMY, INC. UNDER CONTRACT WITH NATIONAL SCIENCE FOUNDATION	
DECIMAL DIMENSIONS	00.00 ± 0.10 00.000 ± .002		
FRACTIONAL DIMENSIONS	UP TO 18" ± 1/64 18" TO 60" ± 1/32 60" & OVER ± 1/16	SCALE 1/1	
BREAK SHARP EDGES	.02	PRINT ISSUED	
ALL SURFACES TO HAVE	125 FINISH UNLESS OTHERWISE NOTED.	NAME ENCODER ADAPTOR	
DESIGNED BY	DATE	APPROVED BY	DATE
DRAWN BY	DATE	APPROVED BY	DATE
CHECKED BY	DATE	APPROVED BY	DATE
LET.	REVISION	ECR	DATE BY