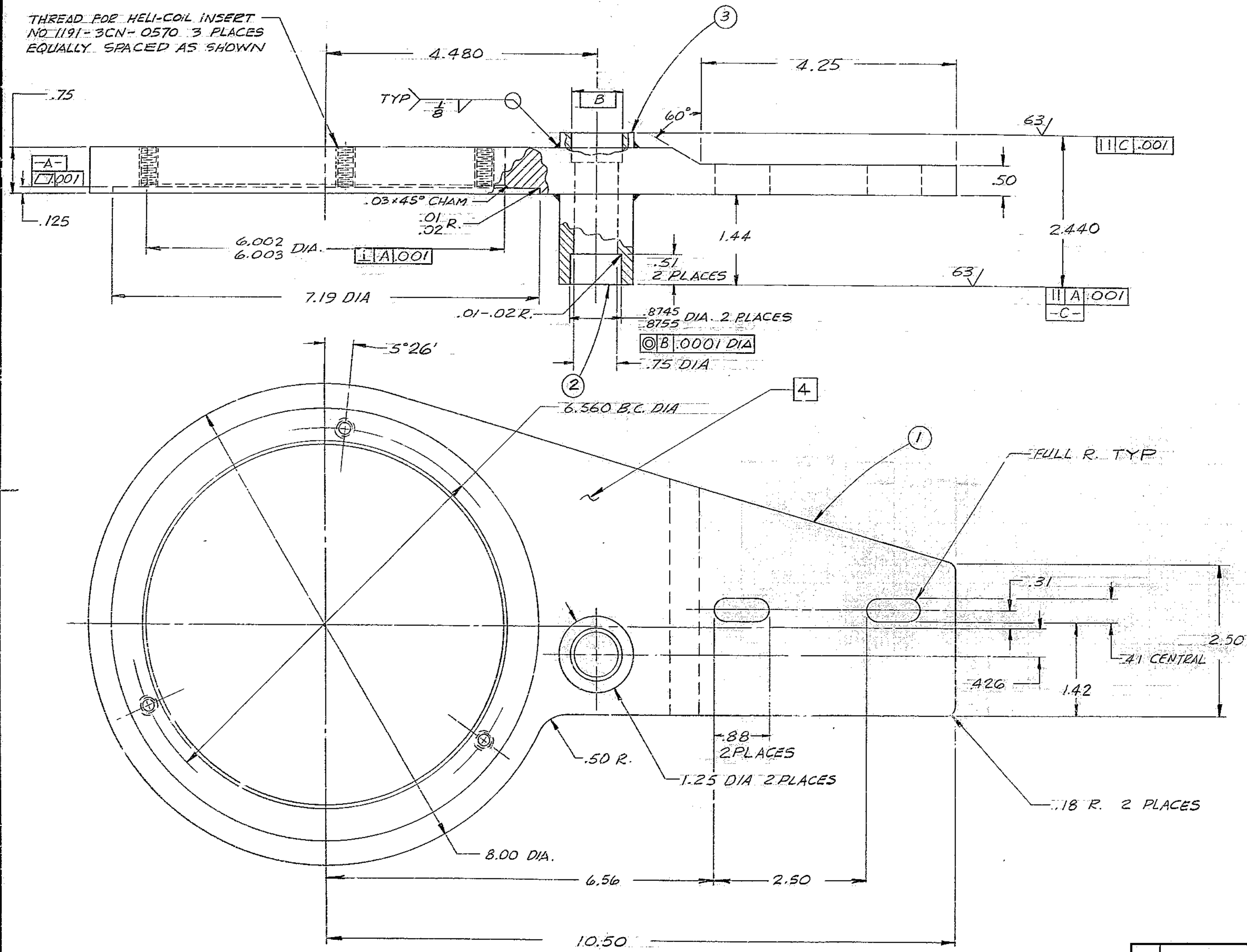


BILL OF MATERIAL

ITEM	QTY.	MATERIAL	DESCRIPTION	WEIGHT
1	1	6061-T6 AL	.75 x 8.00 x 14.50	
2	1	6061-T6 AL	1.25 DIA x 1.50	
3	1	6061-T6 AL	1.25 DIA x .25	3.35

THREAD FOR HELI-COIL INSERT
NO 1191-3CN-0570 3 PLACES
EQUALLY SPACED AS SHOWN



7. BLACK ANODIZE PER MIL-A-8625 TYPE II, CL 2, DIM. AFTER ANODIZE.
 6. INTERPRET DWG PER USASI-Y14.5-1966.
 5. BREAK SHARP EDGES .03
 4. IDENTIFY BY STEEL STAMP AT LOCATION 4, "AURA-INC. MADE IN USA"
 3. STAMP MATCH MARKS ON ALL MATING PARTS WHERE NECESSARY.
 2. PROJECT DRAWINGS
 1. FOR NEXT ASSY. SEE 2150.340 E 002

DESIGNED BY		DATE		APPROVED BY		DATE		DRAWING NUMBER		REV.	
DRAWN BY		DATE		APPROVED BY		DATE		2150.340		-D017	
CHECKED BY		DATE		APPROVED BY		DATE					
LET.		REVISION		ECR		DATE		BY			

TOLERANCES
UNLESS OTHERWISE NOTED
 DECIMAL DIMENSIONS
00.00 ± .010
00.000 ± .003
 FRACTIONAL DIMENSIONS
UP TO 18" ± 1/64
18" TO 30" ± 1/32
30" & OVER ± 1/16
 ANGLES ± 0° -30'
 ALL SURFACES
TO HAVE FINISH
UNLESS OTHERWISE NOTED.

KITT PEAK NATIONAL OBSERVATORY
 OPERATED BY THE
 ASSOCIATION OF UNIVERSITIES FOR RESEARCH IN ASTRONOMY, INC.
 UNDER CONTRACT WITH
 NATIONAL SCIENCE FOUNDATION
 150" STELLAR TELESCOPE REF. FILE 118-6
 NAME: PIVOT SUPPORT SCALE FULL
 PRINT ISSUED