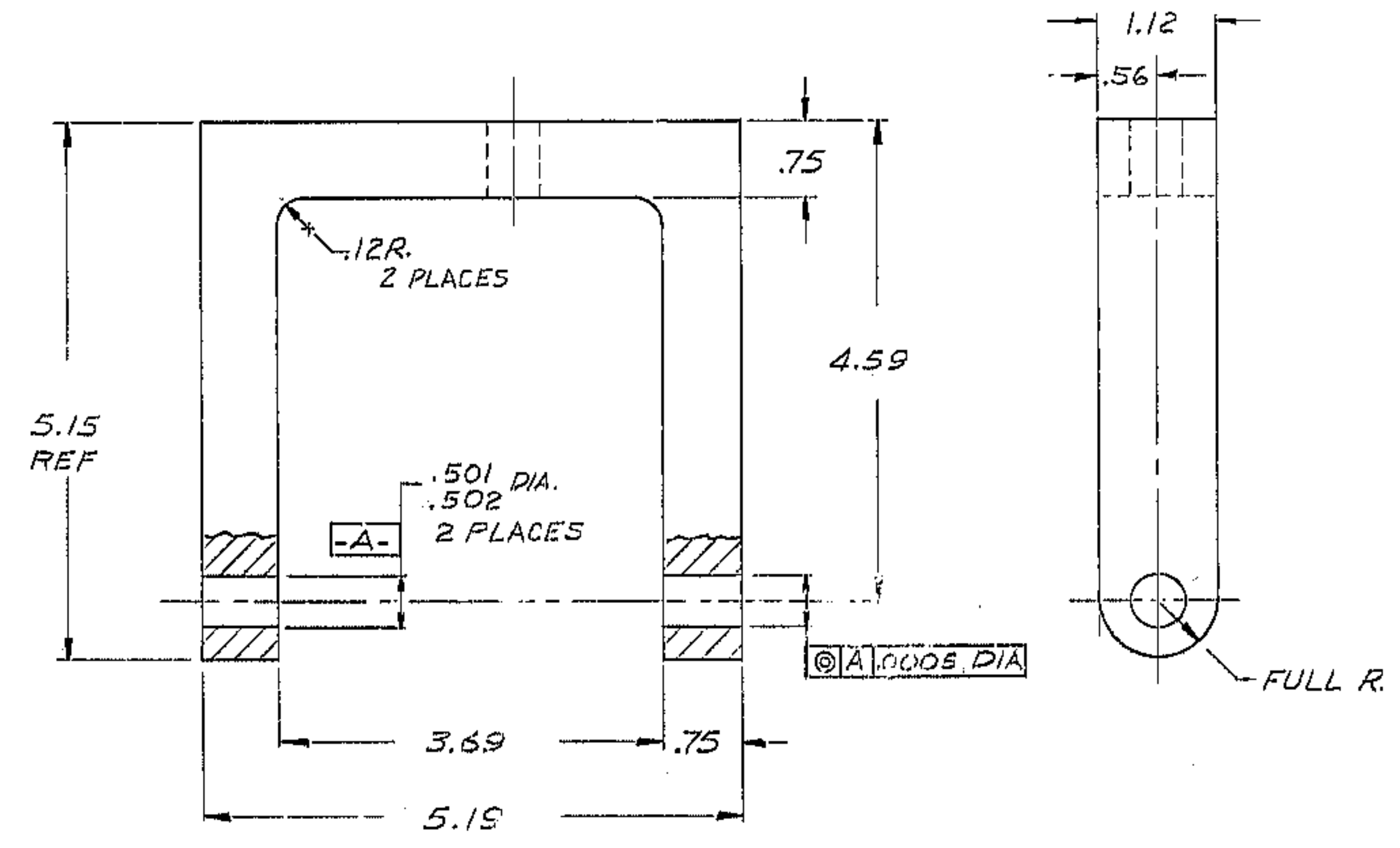
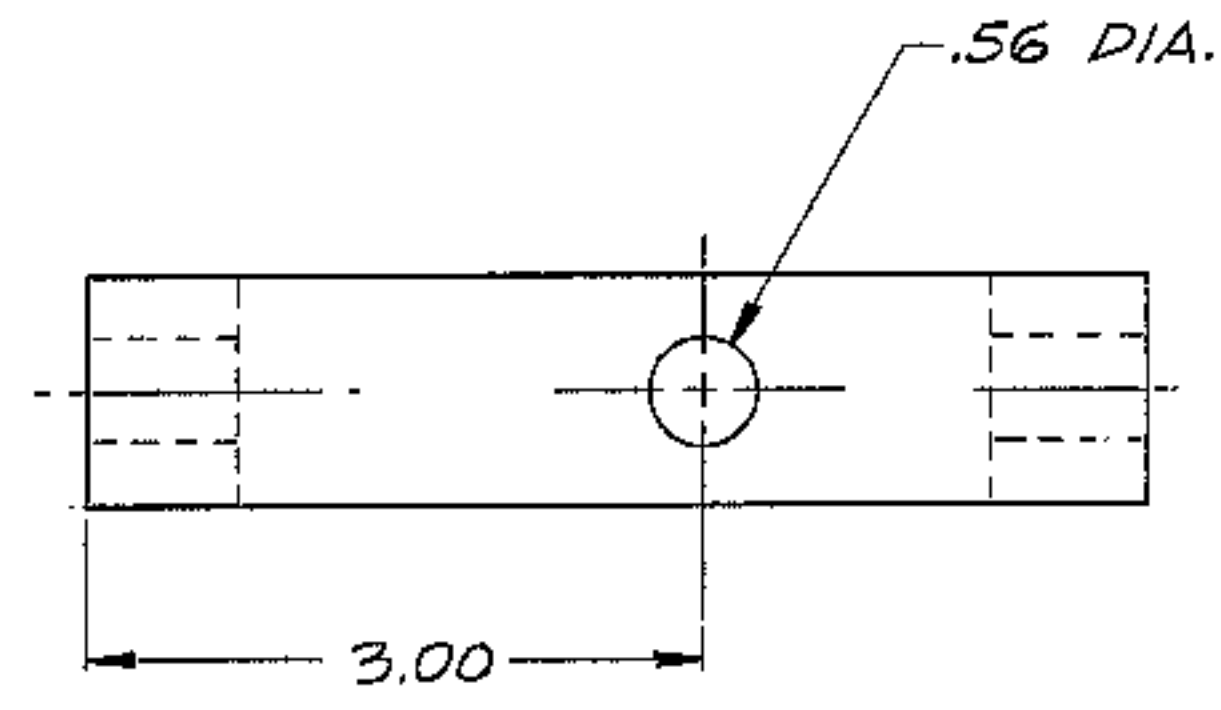


BILL OF MATERIAL

ITEM	QTY.	MATERIAL	DESCRIPTION	WEIGHT
				3.16



9. MAT'L: STEEL  
 8. DIM: HELD AFTER PLATING.  
 7. CD PLATE PER QQ-P-416 TYPE II, CLASS 3  
 6. INTERPRET DWG PER USAS1-Y14.5-1966  
 5. BREAK SHARP EDGES .02  
 4. IDENTIFY BY TAG AT LOCATION [ ] "AURATING MADE IN U.S.A."  
 3. STAMP MATCH MARKS ON ALL MATING PARTS WHERE NECESSARY.  
 2. PROJECT DRAWINGS  
 1. FOR NEXT ASSY. SEE 2150.340 E002,  
 2150.0005013 E, 2150.0005014 E

**KITT PEAK NATIONAL OBSERVATORY**  
 OPERATED BY THE  
 ASSOCIATION OF UNIVERSITIES FOR RESEARCH IN ASTRONOMY, INC.  
 UNDER CONTRACT WITH  
 NATIONAL SCIENCE FOUNDATION

150" STELLAR TELESCOPE  
 FILE 1186  
 NAME TENSIONER YOKE  
 SCALE FULL  
 PRINT ISSUED

TOLERANCES UNLESS OTHERWISE NOTED			
DECIMAL DIMENSIONS	00.00 ± .010		
	00.000 ± .003		
FRACTIONAL DIMENSIONS	UP TO 1" ± 1/64		
	1" TO 50" ± 1/32		
	50" & OVER ± 1/16		
ANGLES ± 0°-30'			
ALL SURFACES TO HAVE FINISH UNLESS OTHERWISE NOTED.			
DESIGNED BY	DATE	APPROVED BY	DATE
DRWN BY	DATE	APPROVED BY	DATE
CHECKED BY	DATE	APPROVED BY	DATE
LET.	REVISION	EQD	DATE BY

DESIGNED BY	DATE	APPROVED BY	DATE	DRAWING NUMBER	REV.
Di...	8-27-71	J.H.	10/1/71	2150.340 .D014	A