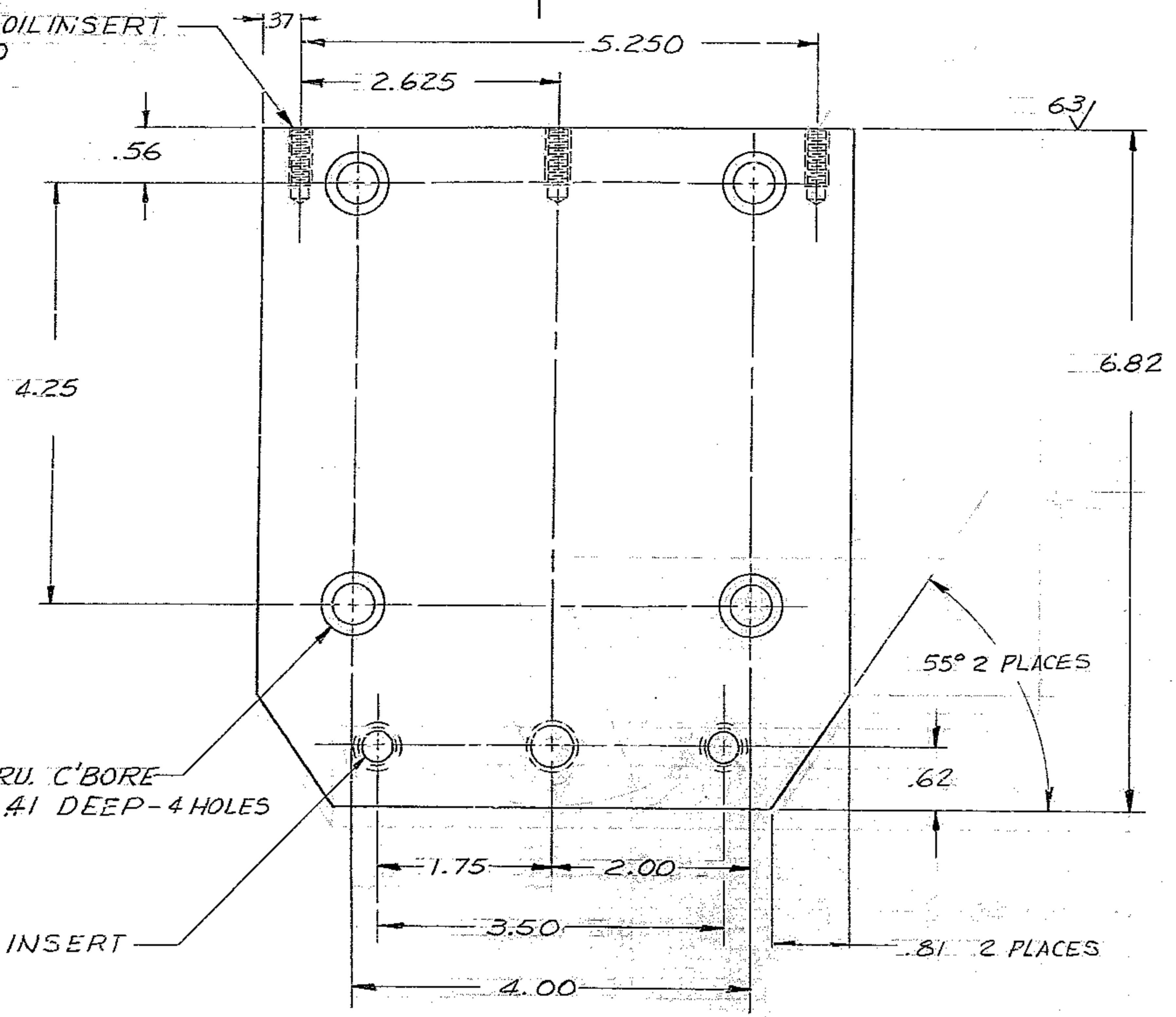
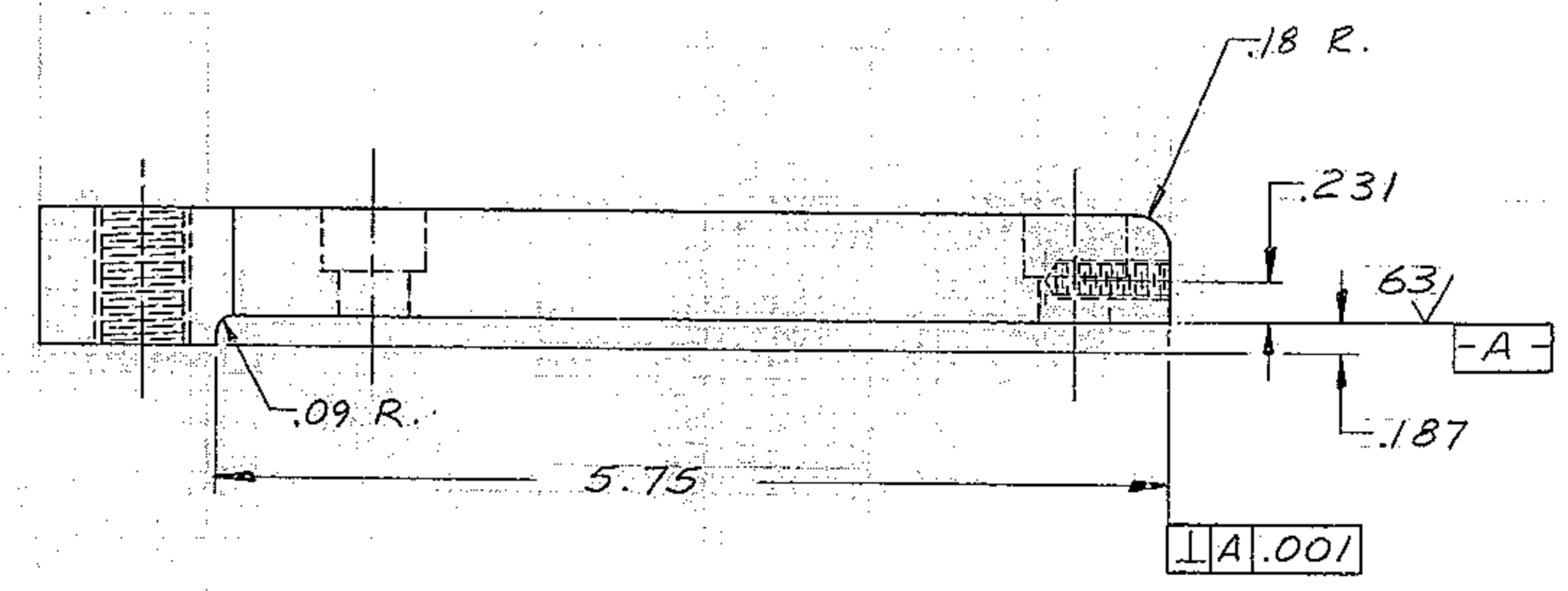
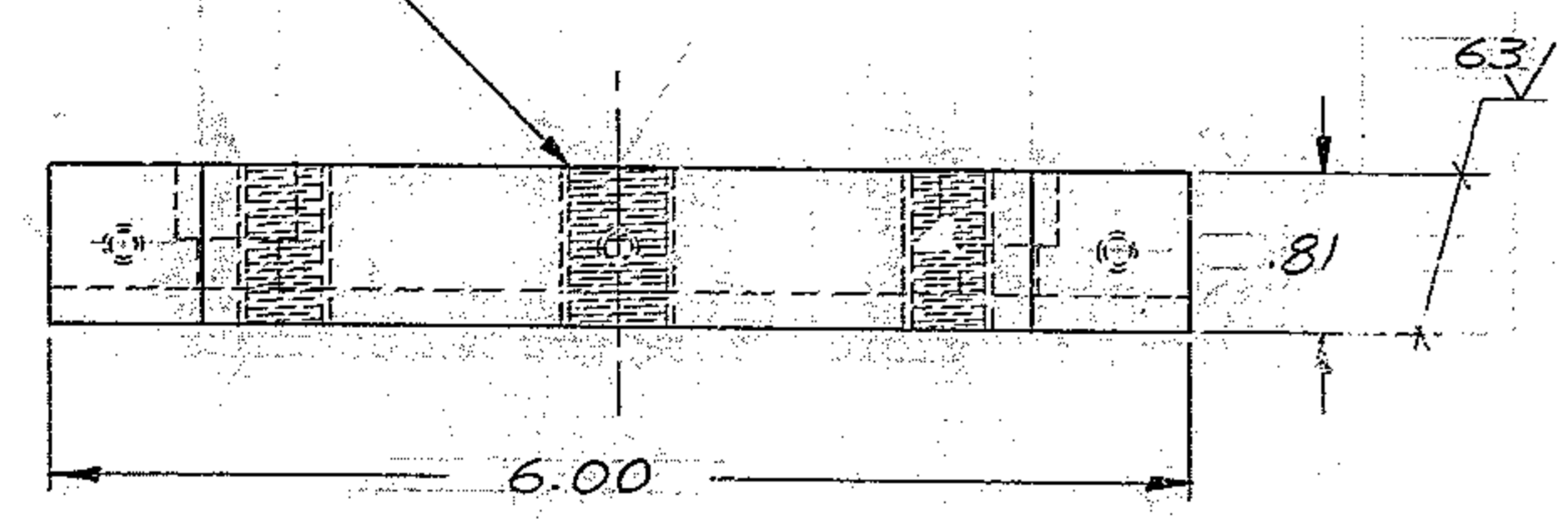


THD FOR HELICOIL INSERT
#1191-3CN-0570
3 HOLES



THD FOR HELICOIL INSERT
#1191-6CN-0750
2 HOLES

THD FOR HELICOIL INSERT
#1191-8CN-0750



BILL OF MATERIAL

ITEM	QTY	MATERIAL	DESCRIPTION	WEIGHT
------	-----	----------	-------------	--------

8. MATL: 6061-T6 AL ALLOY.
7. INTERPRET DWG PER USASI-Y14.5-1966.
6. BLACK ANODIZE PER MIL-A-8625 TYPE II,
CL 2., DIM. HELD AFTER COATING.

- 5-BREAK SHARP EDGES .03
- 4-IDENTIFY BY TAG AT LOCATION [] MARKING MADE IN U.S.A.
- 3-STAMP MATCH MARKS ON ALL MATING PARTS WHERE NECESSARY.
- 2-PROJECT DRAWINGS
- 1-FOR NEXT ASSY. SEE 2150-340E002

NOTES-

KITT PEAK NATIONAL OBSERVATORY
OPERATED BY THE
ASSOCIATION OF UNIVERSITIES FOR RESEARCH IN ASTRONOMY, INC.
UNDER CONTRACT WITH
NATIONAL SCIENCE FOUNDATION

150" STELLAR TELESCOPE REF. FILE 1186

NAME: ADJUSTMENT BASE SCALE FULL PRINT ISSUED

TOLERANCES UNLESS OTHERWISE NOTED

DECIMAL DIMENSIONS	00.00 ± .010
	00.000 ± .003
FRACTIONAL DIMENSIONS	UP TO 18' ± 1/64
	18' TO 20' ± 1/32
	20' & OVER ± 1/16
ANGLES ± 0°-30'	
ALL SURFACES TO HAVE 125' FINISH UNLESS OTHERWISE NOTED.	

DESIGNED BY	DATE	APPROVED BY	DATE	DRAWING NUMBER	REV.
PIERCE	8/17/71	DATE	12/10/71	2150.340-D010	
CHECKED BY	DATE	APPROVED BY	DATE		
CHASOD	3-8-71	DATE	12-19-71		

LET.	REVISION	ECR	DATE	BY