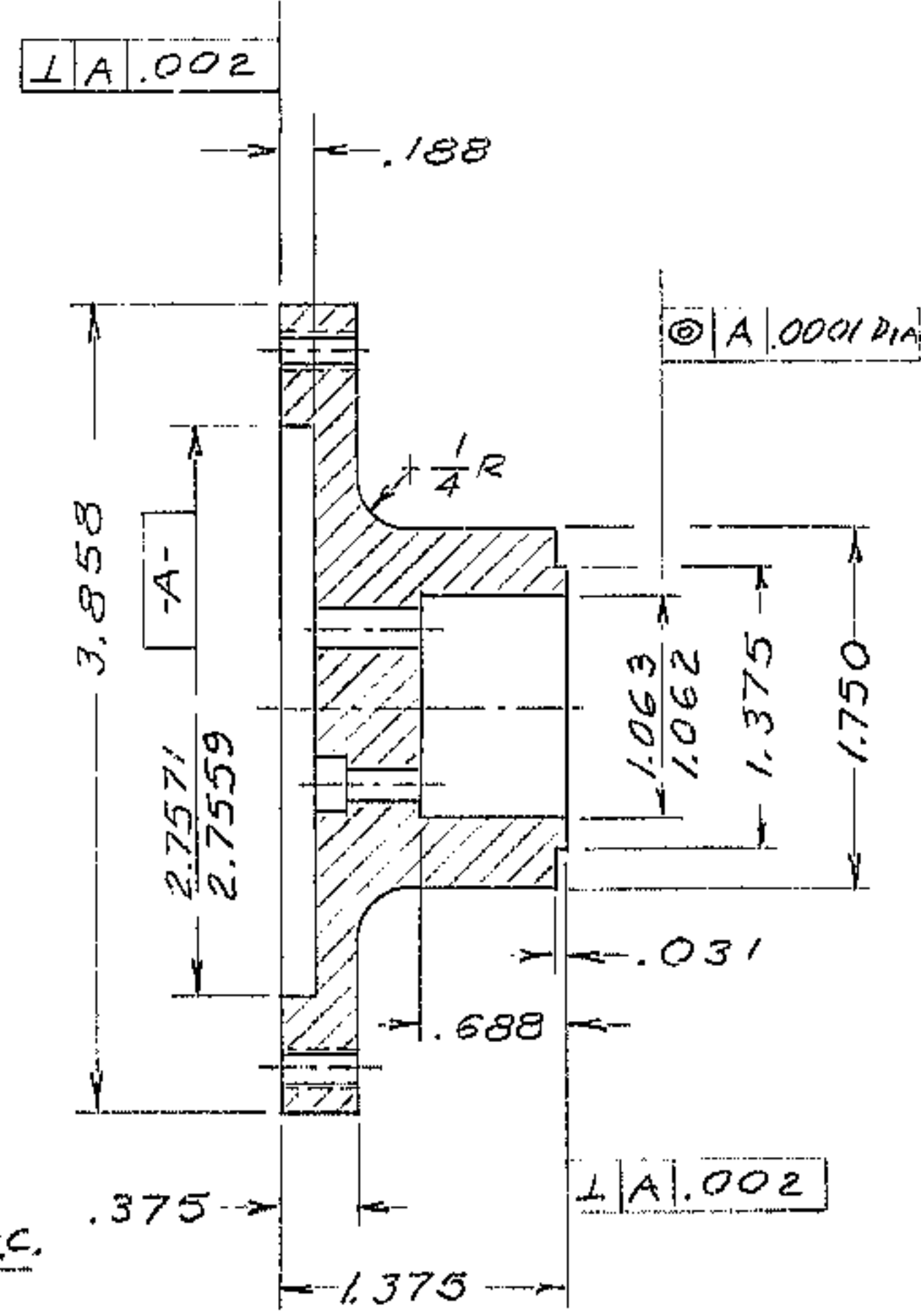
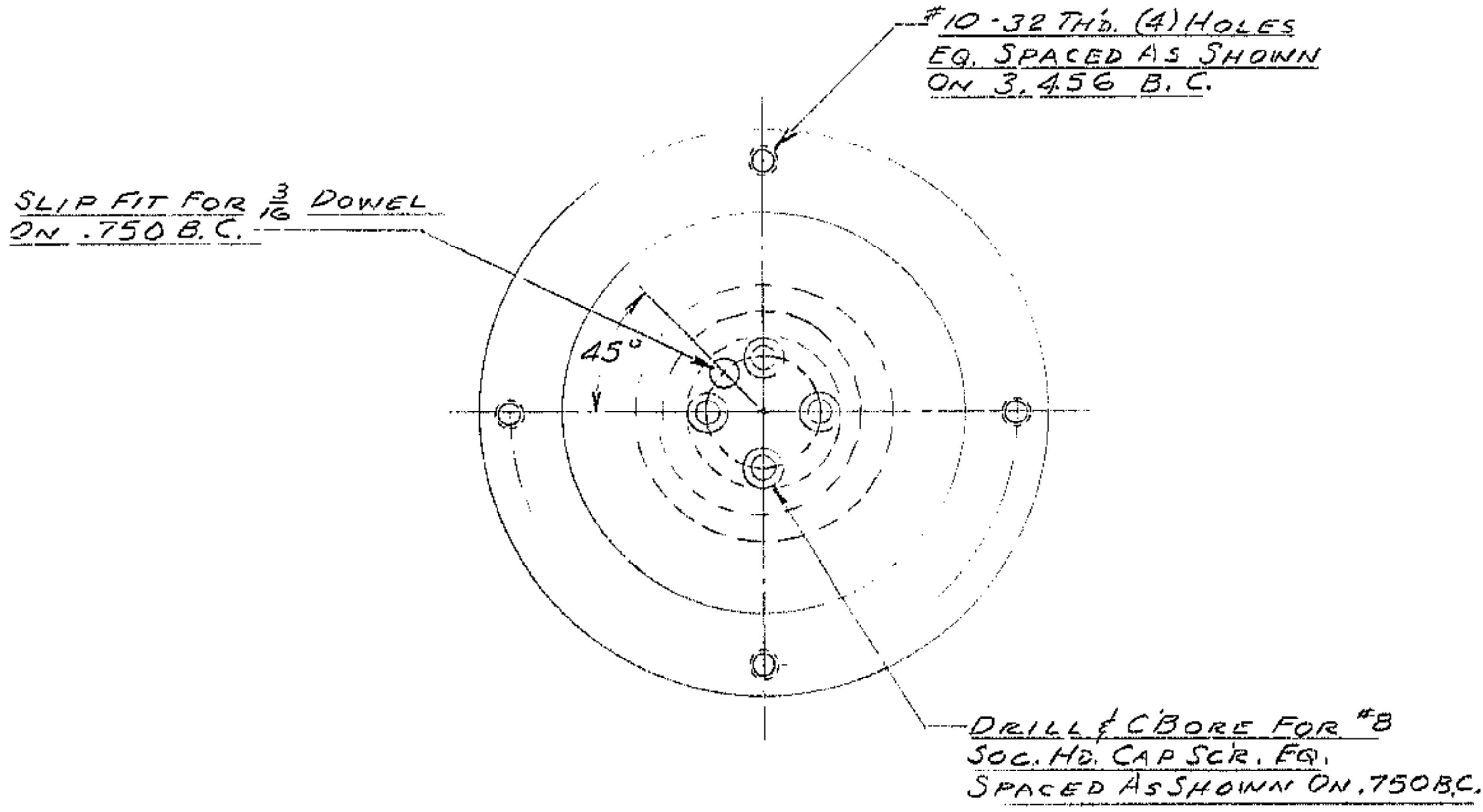


NOTES: UNLESS OTHERWISE NOTED

- 1. REMOVE ALL BURRS AND SHARP EDGES .02 R MAX
- 2. MACHINED SURFACE ROUGHNESS $\sqrt{125}$
- 3. MAT'L: 6061-T6 ALUM ALLOY
- 4. FINISH: BLACK SULPHURIC ANODIZE
- 5. DIM. AFTER ANODIZE

REVISIONS						
ZONE	LTR	DESCRIPTION	ECR	DATE	BY	APVD



QTY REQD	PART OR IDENTIFYING NO.	DESCRIPTION	MATERIAL / SPECIFICATION	ITEM NO.
PARTS LIST				
TOLERANCES UNLESS OTHERWISE NOTED		KITT PEAK NATIONAL OBSERVATORY		
DECIMALS	FRACTIONS	ANGULAR	OPERATED BY THE ASSOCIATION OF UNIVERSITIES FOR RESEARCH IN ASTRONOMY, INC.	
.XX ± .03	± —	± 0° 30'	UNDR CONTRACT WITH NATIONAL SCIENCE FOUNDATION	
.XXX ± .010				
NEXT ASSEMBLY	NAME	REP FILE		
2150.340 -D502	COUPLING FLANGE	1186		
SCALE FULL	DESIGNED BY	DATE	APPROVED BY	DATE
PRINT ISSUED	DRAWN BY	DATE	APPROVED BY	DATE
	CHECKED BY	DATE	APPROVED BY	DATE
			DWG NO.	REV
			2150.340-C506	
			RELEASE DATE	11-12-84