

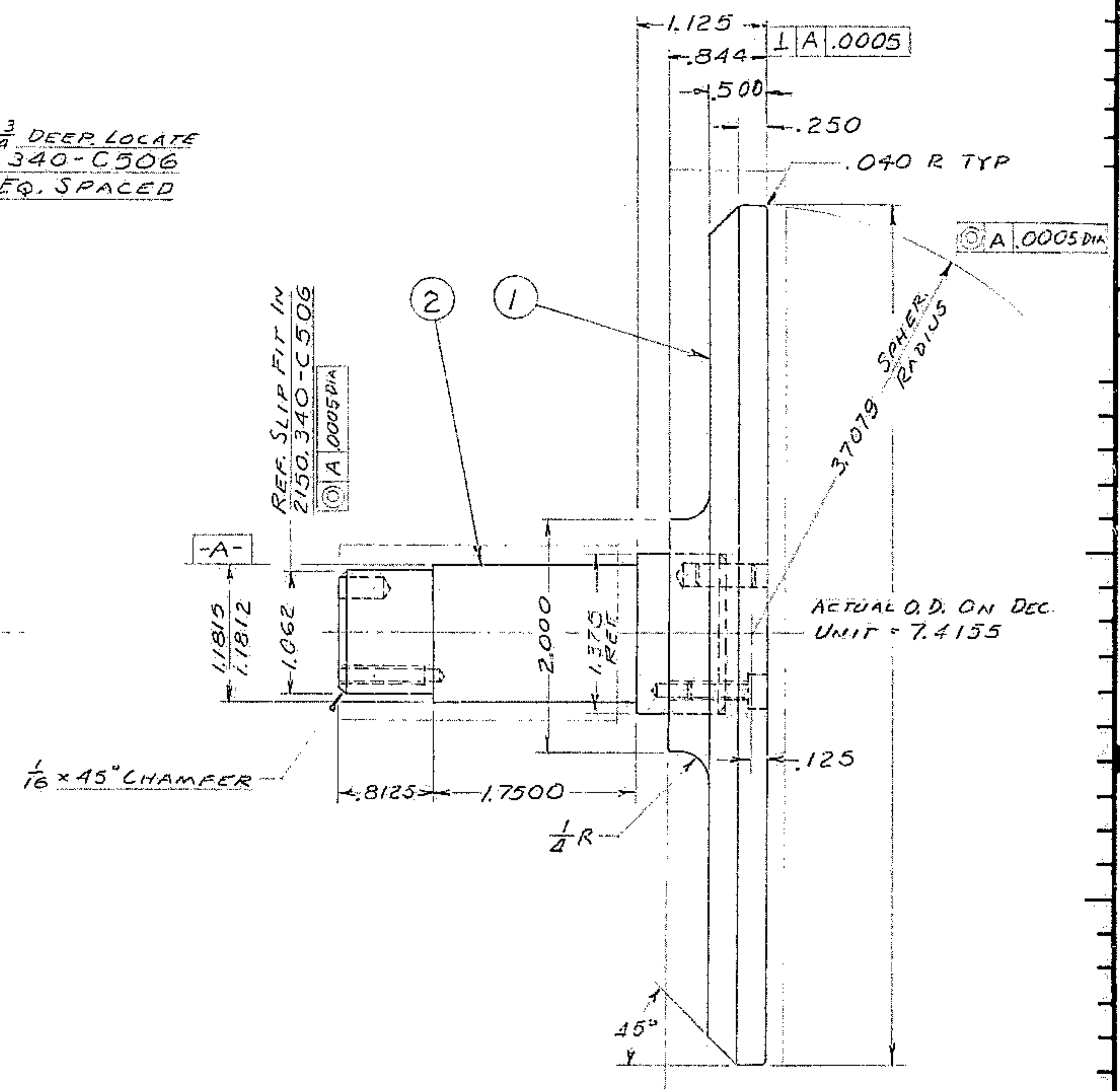
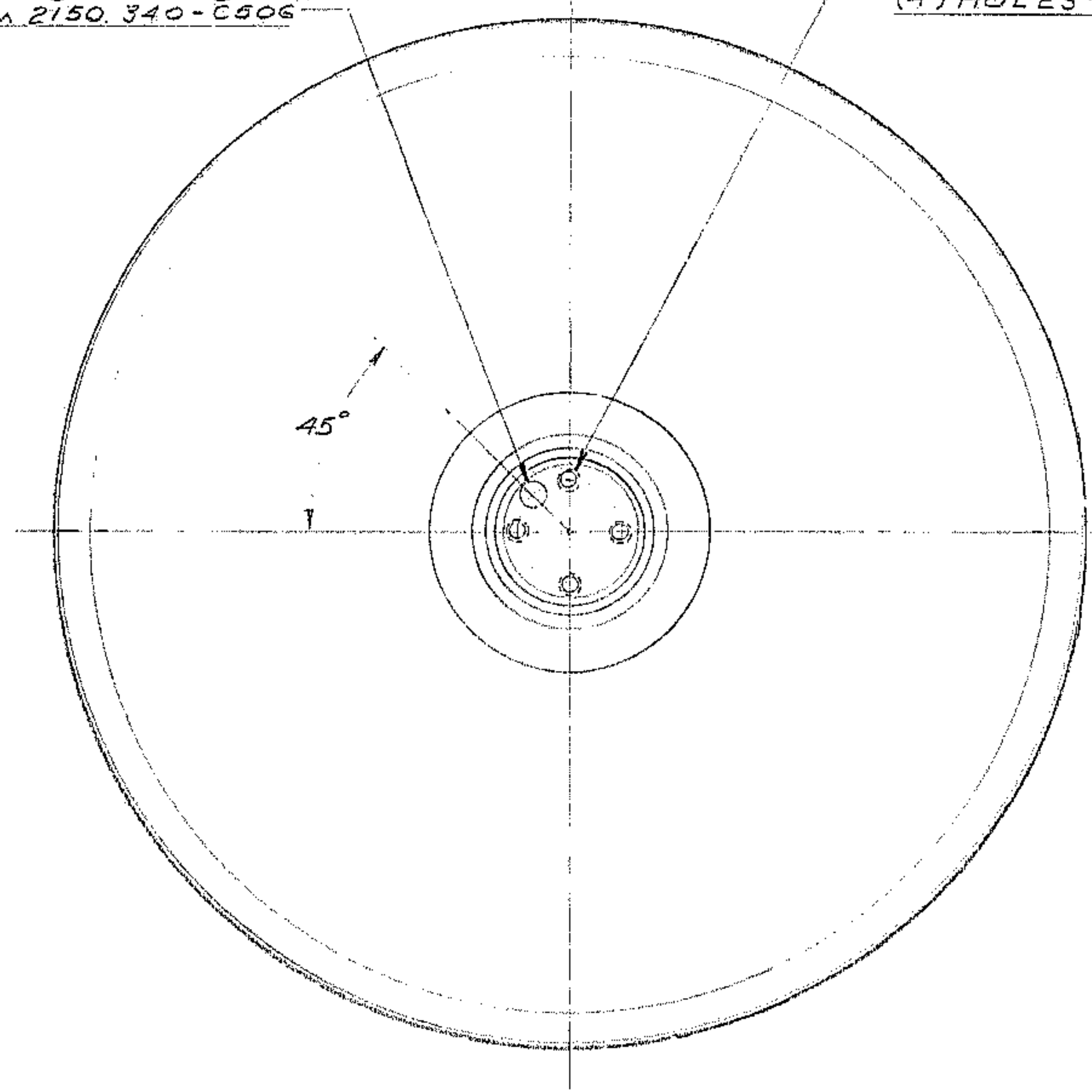
NOTES: UNLESS OTHERWISE NOTED

1. REMOVE ALL BURRS AND SHARP EDGES $\phi 10 R$ MAX
2. MACHINED SURFACE ROUGHNESS $125 \sqrt{}$
3. ASSEMBLE ITEMS 1, 2, 3, & 4 BEFORE FINISH MACHINING

REVISIONS						
ZONE	LTR	DESCRIPTION	ECR	DATE	BY	APVD

PRESS FIT FOR $\frac{3}{16}$ " DOWEL $\frac{1}{8}$ " DEEP
LOCATE FROM 2150.340-C506

#8-32 THD. $\times \frac{3}{8}$ " DEEP LOCATE
FROM 2150.340-C506
(A) HOLES - EQ. SPACED



1		$\frac{3}{16}$ " DIA. $\times \frac{1}{2}$ " LG. DOWEL	4
4		#8-32 $\times \frac{1}{2}$ " SOC. HD. CAP SCR. - STN. STL.	3
1	-B501	SHAFT	2
1	-C507	QUILL BLANK	1

QTY REQD	PART OR IDENTIFYING NO.	DESCRIPTION	MATERIAL / SPECIFICATION	ITEM NO.
----------	-------------------------	-------------	--------------------------	----------

PARTS LIST

TOLERANCES UNLESS OTHERWISE NOTED
 DECIMALS .XX \pm .03
 FRACTIONS \pm —
 ANGULAR $\pm 9^{\circ} 30'$
 .XXX \pm .010

KITT PEAK NATIONAL OBSERVATORY
 OPERATED BY THE
 ASSOCIATION OF UNIVERSITIES FOR RESEARCH IN ASTRONOMY, INC.
 UNDER CONTRACT WITH
 NATIONAL SCIENCE FOUNDATION

NEXT ASSEMBLY 2150.340-D502	NAME QUILL ASSEMBLY	REF FILE 1186
--------------------------------	-------------------------------	------------------

SCALE FULL	DESIGNED BY W.D. [Signature]	DATE 1/27/84	APPROVED BY [Signature]	DATE 1/27/84	DWG. NO. 2150.340-C503	REV
PRINT ISSUED	DRAWN BY W.D. [Signature]	DATE 8/18/84	APPROVED BY [Signature]	DATE 11/12/84	RELEASE DATE 11-12-84	