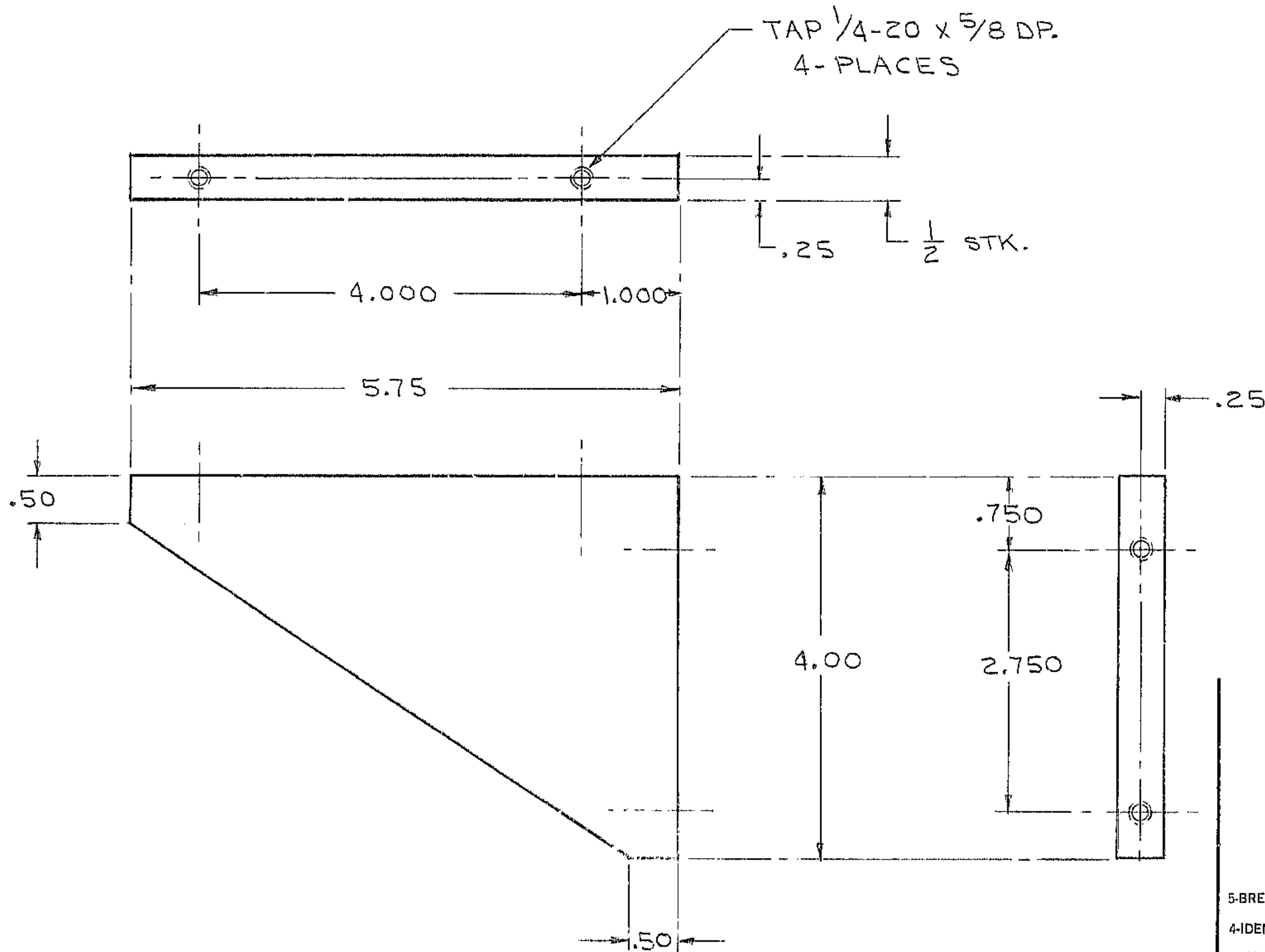


BILL OF MATERIAL

ITEM	QTY.	MATERIAL	DESCRIPTION	WEIGHT
------	------	----------	-------------	--------



5-BREAK SHARP EDGES .03 MAX.

4-IDENTIFY BY _____ AT LOCATION 4 , "AURA INC. MADE IN U.S.A."

3-STAMP MATCH MARKS ON ALL MATING PARTS WHERE NECESSARY.

2-PROJECT DRAWINGS _____

1-FOR NEXT ASSY. SEE 2150.0005605D

NOTES-

MATL. ALUM. 2024-T4
2-REQD.

LET.	REVISION	ECR	DATE	BY
B	N/A WAS 2150.340-E100	3316	5-7-93	J.H.
A	N/A WAS -D10Z	2195	7-6-79	J.H.

TOLERANCES UNLESS OTHERWISE NOTED

DECIMAL DIMENSIONS
00.00 ± .010
00.000 ± .003

FRACTIONAL DIMENSIONS
UP TO 18" ± 1/64
18" TO 50" ± 1/32
50" & OVER ± 1/16

ANGLES ± 0° - 30'

ALL SURFACES
TO HAVE 125/ FINISH
UNLESS OTHERWISE NOTED.

SCALE FULL

PRINT ISSUED

KITT PEAK NATIONAL OBSERVATORY

OPERATED BY THE
ASSOCIATION OF UNIVERSITIES FOR RESEARCH IN ASTRONOMY, INC.
UNDER CONTRACT WITH
NATIONAL SCIENCE FOUNDATION

REF. FILE 1186

NAME

PLATE-GUSSET
MOUNTING BRKT.

DESIGNED BY	DATE	APPROVED BY	DATE	DRAWING NUMBER	REV.
J.B.H.	5/24/79	A.A.J.	7-9-79	2150.340-C118	B
DRAWN BY	DATE	APPROVED BY	DATE		
R. LESH	9/4/79				
CHECKED BY	DATE	APPROVED BY	DATE		