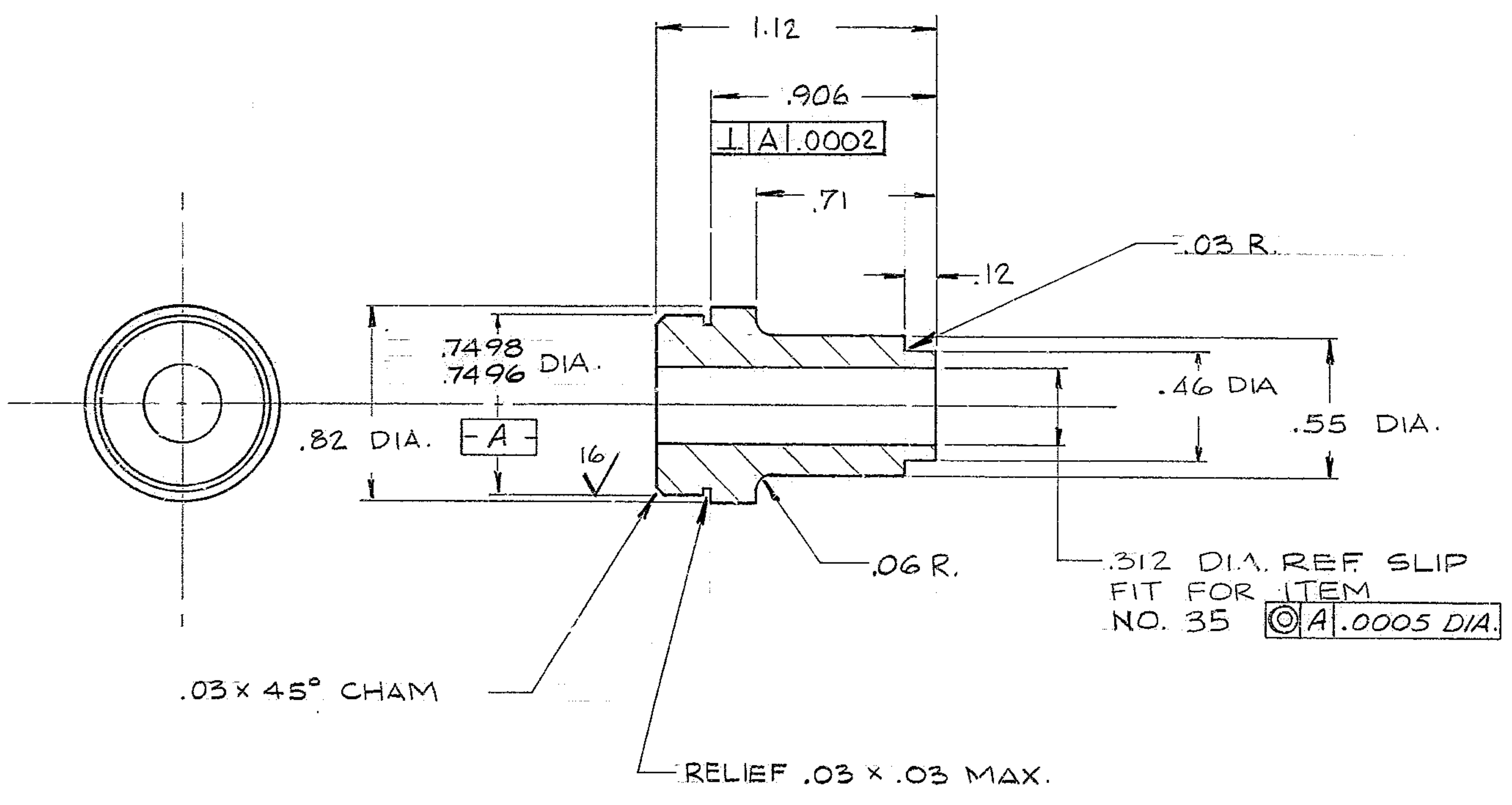


BILL OF MATERIAL

ITEM	QTY.	MATERIAL	DESCRIPTION	WEIGHT
------	------	----------	-------------	--------

.083



- 10. MATL: STEEL AISI 4340
 - 9. HOLD DIMENSIONS AFTER PLATING.
 - 8. CD PLATE PER QQ-P-416 TYPE II, CL 3.
 - 7. HEAT TREAT R/C 32-36
 - 6. INTERPRET DWG PER USASI-Y14.5-1966
 - 5. BREAK SHARP EDGES .03
 - 4. IDENTIFY BY TAG AT LOCATION 4, "AURA-ING. MADE IN U.S.A."
 - 3. STAMP MATCH MARKS ON ALL MATING PARTS WHERE NECESSARY.
 - 2. PROJECT DRAWINGS
 - 1. FOR NEXT ASSY. SEE 2150.340 E 002
- NOTES-

TOLERANCES UNLESS OTHERWISE NOTED				
DECIMAL DIMENSIONS 00.00 ± .010 00.000 ± .003				
FRACTIONAL DIMENSIONS UP TO 18' ± 1/64 18' TO 50' ± 1/32 50' & OVER ± 1/16				
ANGLES ± 0° - 30'				
ALL SURFACES TO HAVE 125 ✓ FINISH UNLESS OTHERWISE NOTED.				
LET.	REVISION	ECR	DATE	BY

KITT PEAK NATIONAL OBSERVATORY			
OPERATED BY THE ASSOCIATION OF UNIVERSITIES FOR RESEARCH IN ASTRONOMY, INC. UNDER CONTRACT WITH NATIONAL SCIENCE FOUNDATION			
150" STELLAR TELESCOPE			REF. FILE 1186
NAME BEARING RETAINER			SCALE 2/1
DESIGNED BY			REV.
DATE	APPROVED BY	DATE	DRAWING NUMBER
8-24-71	Barce	10/19/71	2150.340-C038
CHECKED BY CHADD	DATE 10-19-71	APPROVED BY 69	DATE 10-19-71