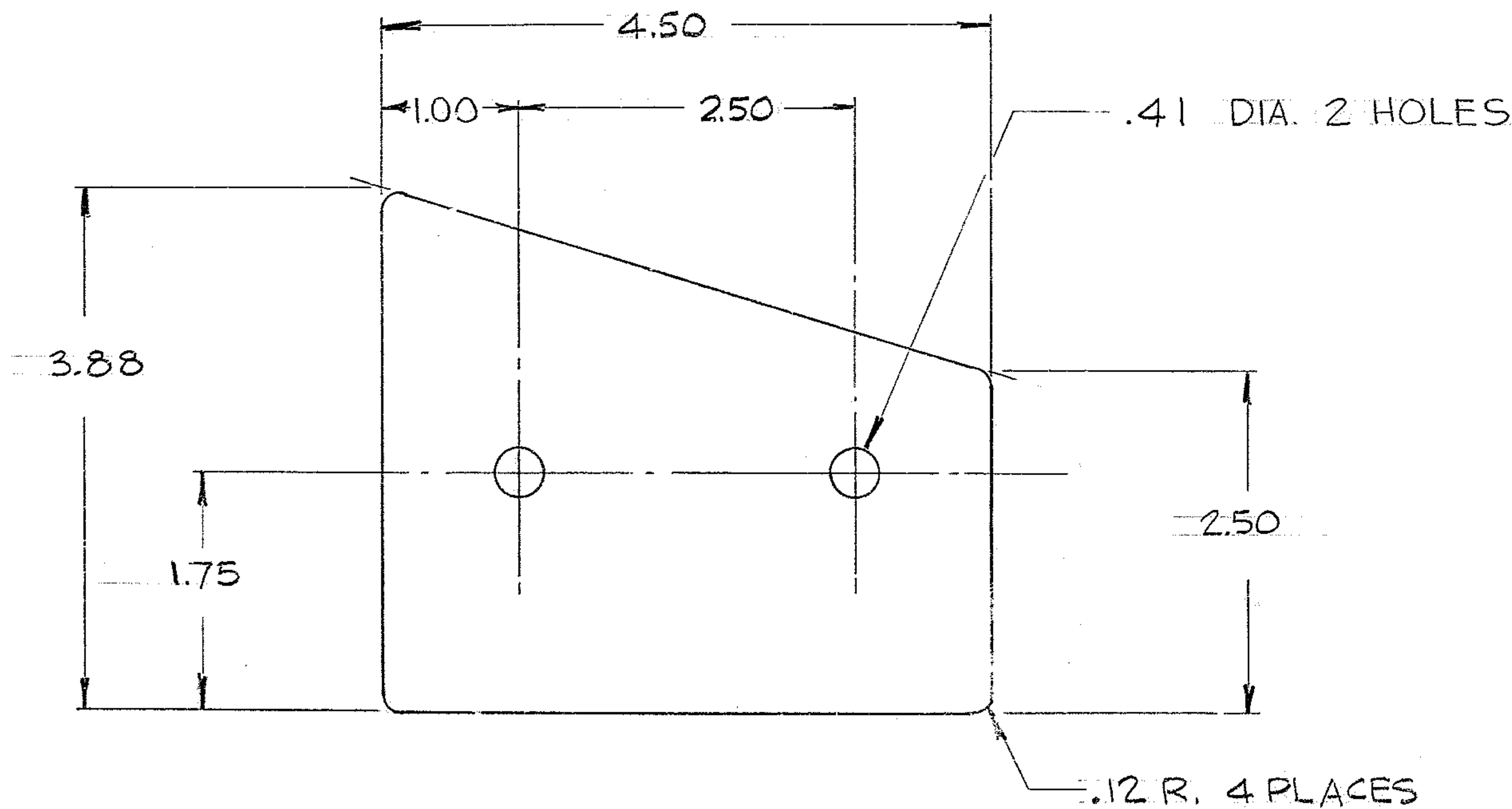
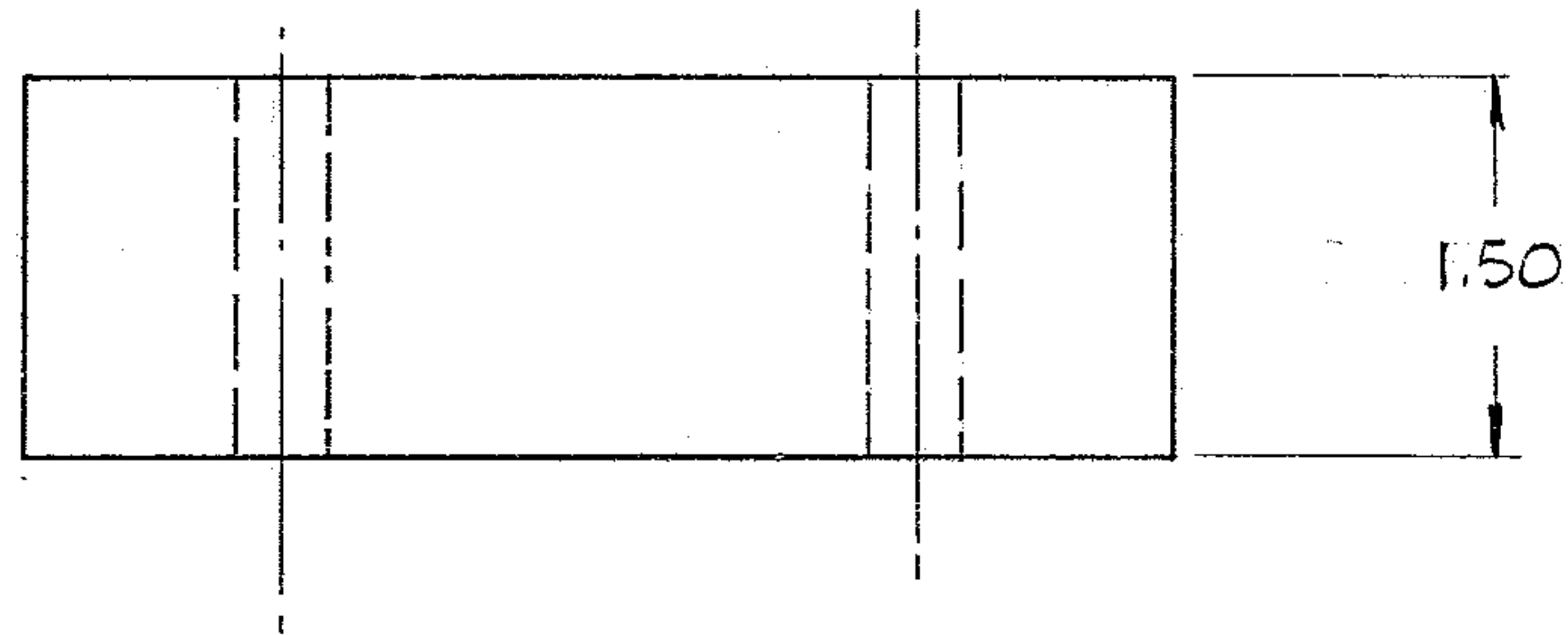


# BILL OF MATERIAL

ITEM	QTY.	MATERIAL	DESCRIPTION	WEIGHT
------	------	----------	-------------	--------



- 8. MATL: LEAD
  - 7. CALCULATED WEIGHT 8.28 LBS.
  - 6. INTERPRET DWG PER USASI-Y14.5-1966.
  - 5. BREAK SHARP EDGES .03
  - 4. IDENTIFY BY TAG    AT LOCATION    "AURA INC. MADE IN U.S.A."
  - 3. STAMP MATCH MARKS ON ALL MATING PARTS WHERE NECESSARY
  - 2. PROJECT DRAWINGS
  - 1. FOR NEXT ASSY. SEE 2150.340 E002
- NOTES-

LET.	REVISION	ECR	DATE	BY

TOLERANCES  
UNLESS OTHERWISE NOTED

DECIMAL DIMENSIONS  
00.00 ± .010  
00.000 ± .003

FRACTIONAL DIMENSIONS  
UP TO 18' ± 1/64  
18' TO 50' ± 1/32  
50' & OVER ± 1/16

ANGLES ± 0° -30'

ALL SURFACES  
TO HAVE 125 ✓ FINISH  
UNLESS OTHERWISE NOTED.

<b>KITT PEAK NATIONAL OBSERVATORY</b>			
OPERATED BY THE ASSOCIATION OF UNIVERSITIES FOR RESEARCH IN ASTRONOMY, INC. UNDER CONTRACT WITH NATIONAL SCIENCE FOUNDATION			
150" STELLAR TELESCOPE			REF. FILE 1186
NAME LEAD BALANCE			SCALE 1/1
DESIGNED BY			PRINT ISSUED
DATE	APPROVED BY	DATE	DRAWING NUMBER
8-25-71	B. H. R.	10/19/71	2150-340 -C 027
CHECKED BY CHADD	DATE 10-19-71	APPROVED BY B. H. R.	DATE 10-19-71
			REV.