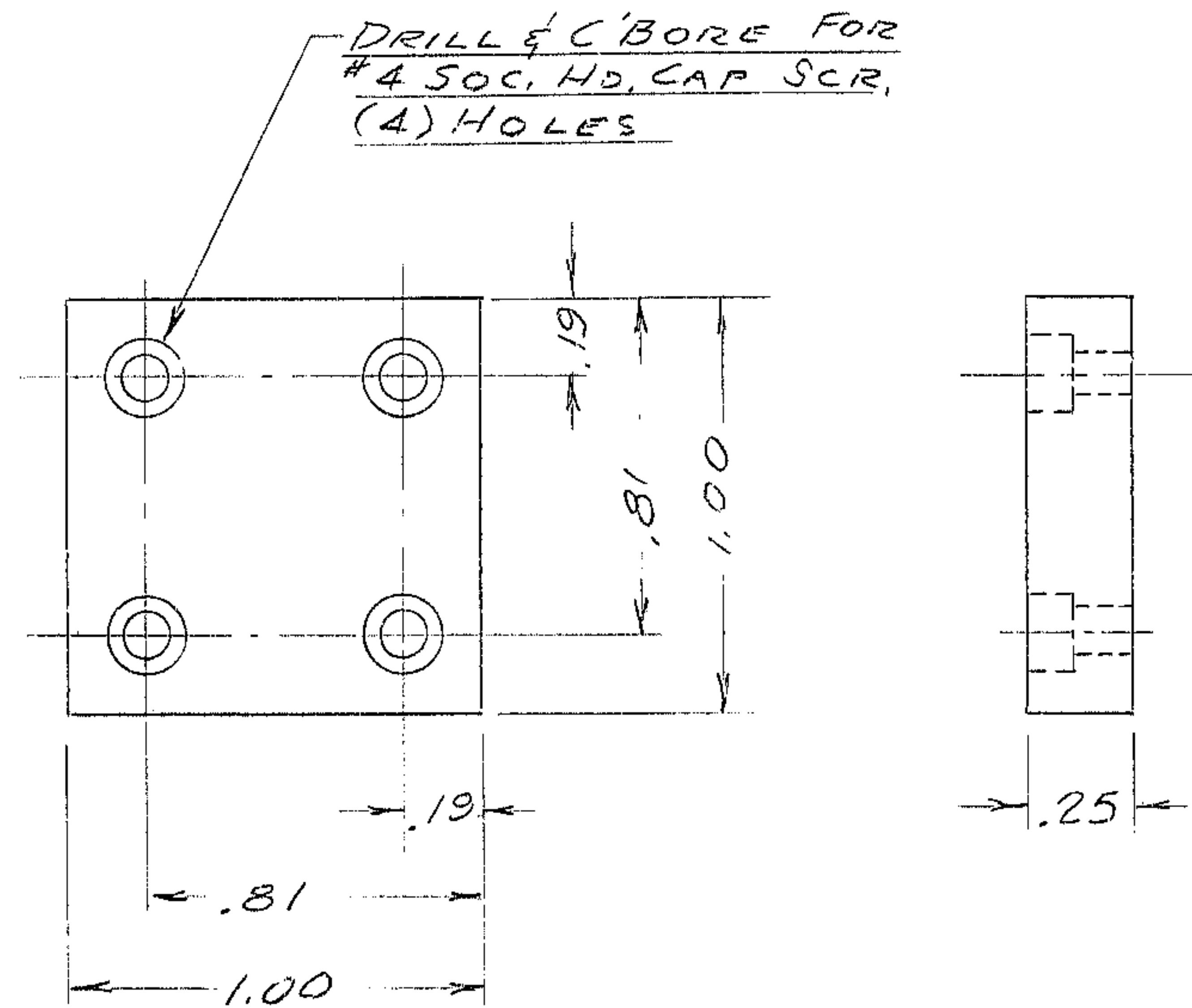


**NOTES: UNLESS OTHERWISE NOTED**

1. REMOVE ALL BURRS AND SHARP EDGES .02 R MAX
2. MACHINED SURFACE ROUGHNESS  $\sqrt{125}$
3. MAT'L: TOOL STEEL
4. HEAT TREAT R/C 54-58

REVISIONS					
LTR	DESCRIPTION	ECR	DATE	BY	APVD



<b>TOLERANCES UNLESS OTHERWISE NOTED</b> DECIMALS    FRACTIONS    ANGULAR .XX ± .03       ± —       ± 0° 30' .XXX ± .010			<b>KITT PEAK NATIONAL OBSERVATORY</b> <small>OPERATED BY THE ASSOCIATION OF UNIVERSITIES FOR RESEARCH IN ASTRONOMY, INC. UNDER CONTRACT WITH NATIONAL SCIENCE FOUNDATION</small>			
<b>NEXT ASSEMBLY</b>  2150.340- E502		<b>NAME</b>  PRESSURE PLATE		<b>REF FILE</b> 1186		
<b>SCALE</b> 2X  <b>PRINT ISSUED</b>	<b>DESIGNED BY</b> <i>W. Olson</i>	<b>DATE</b> 8/31/84	<b>APPROVED BY</b> <i>[Signature]</i>	<b>DATE</b> 8-31-84	<b>DWG NO.</b> 2150.340-B506	<b>REV</b>
	<b>DRAWN BY</b> <i>W. Olson</i>	<b>DATE</b> 8/31/84	<b>APPROVED BY</b> <i>[Signature]</i>	<b>DATE</b> 8-31-84	<b>RELEASE DATE</b> 11-12-84	
	<b>CHECKED BY</b>	<b>DATE</b>	<b>APPROVED BY</b>	<b>DATE</b>		