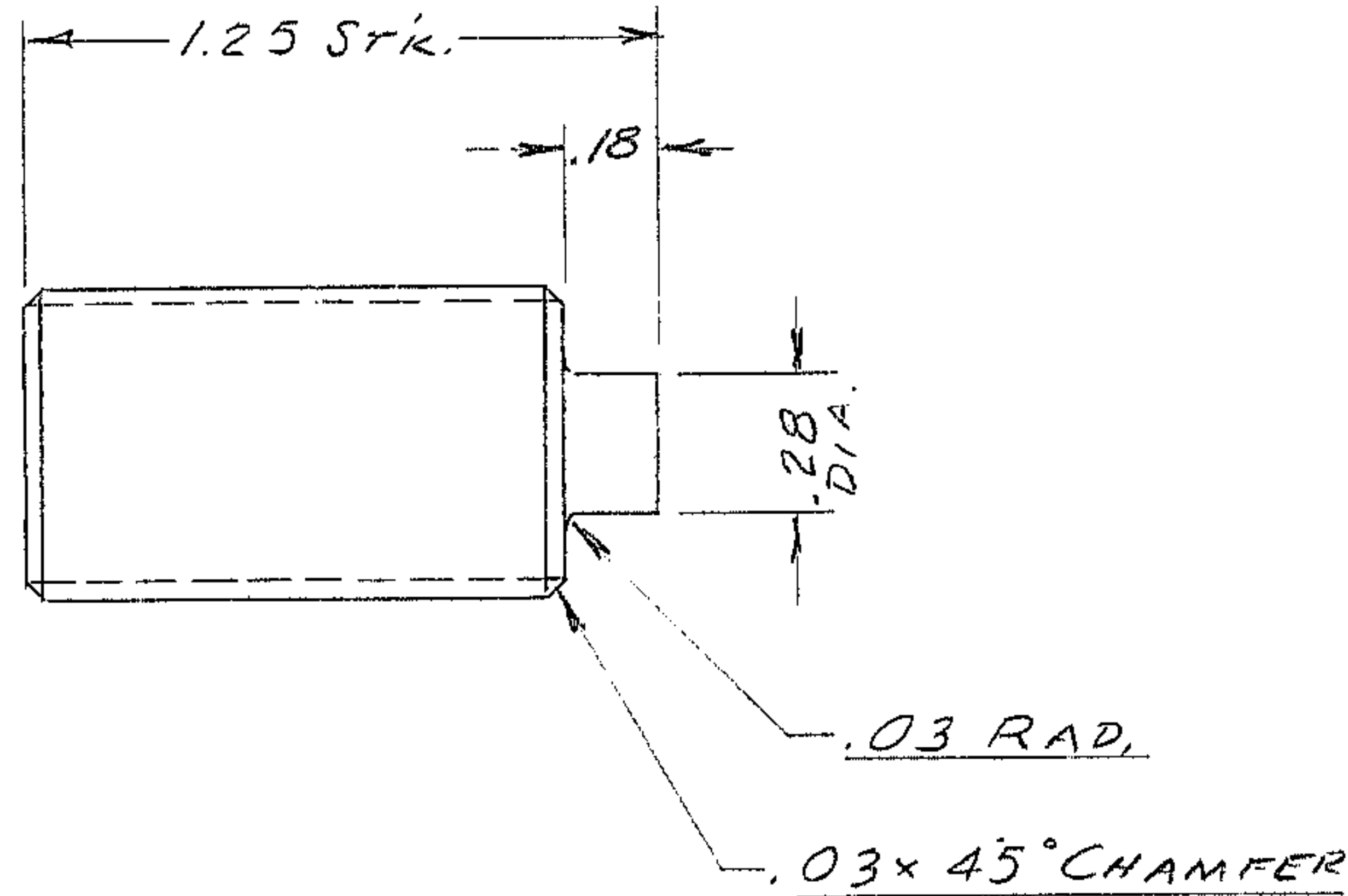


NOTES: UNLESS OTHERWISE NOTED

1. REMOVE ALL BURRS AND SHARP EDGES — R MAX
2. MACHINED SURFACE ROUGHNESS $\frac{125}{\sqrt{}}$
3. MAT'L: $\frac{5}{8}$ -18 FL. PT. SOC. SET SCR.

REVISIONS					
LTR	DESCRIPTION	ECR	DATE	BY	APVD



TOLERANCES UNLESS OTHERWISE NOTED DECIMALS FRACTIONS ANGULAR .XX ± .03 ± — ± 0° 30' .XXX ± .010			KITT PEAK NATIONAL OBSERVATORY <small>OPERATED BY THE ASSOCIATION OF UNIVERSITIES FOR RESEARCH IN ASTRONOMY, INC. UNDER CONTRACT WITH NATIONAL SCIENCE FOUNDATION</small>		
NEXT ASSEMBLY		NAME		REF FILE	
2150.340-E502		ADJUSTING SCREW		1186	
SCALE 2X	DESIGNED BY <i>M.P. Olson</i>	DATE 8/31/84	APPROVED BY	DATE	DWG NO.
PRINT ISSUED	DRAWN BY <i>M.P. Olson</i>	DATE 8/31/84	<i>[Signature]</i>	8-31-84	2150.340-B505
	CHECKED BY	DATE	APPROVED BY	DATE	RELEASE DATE
					11-12-84

PEB 11-12-84