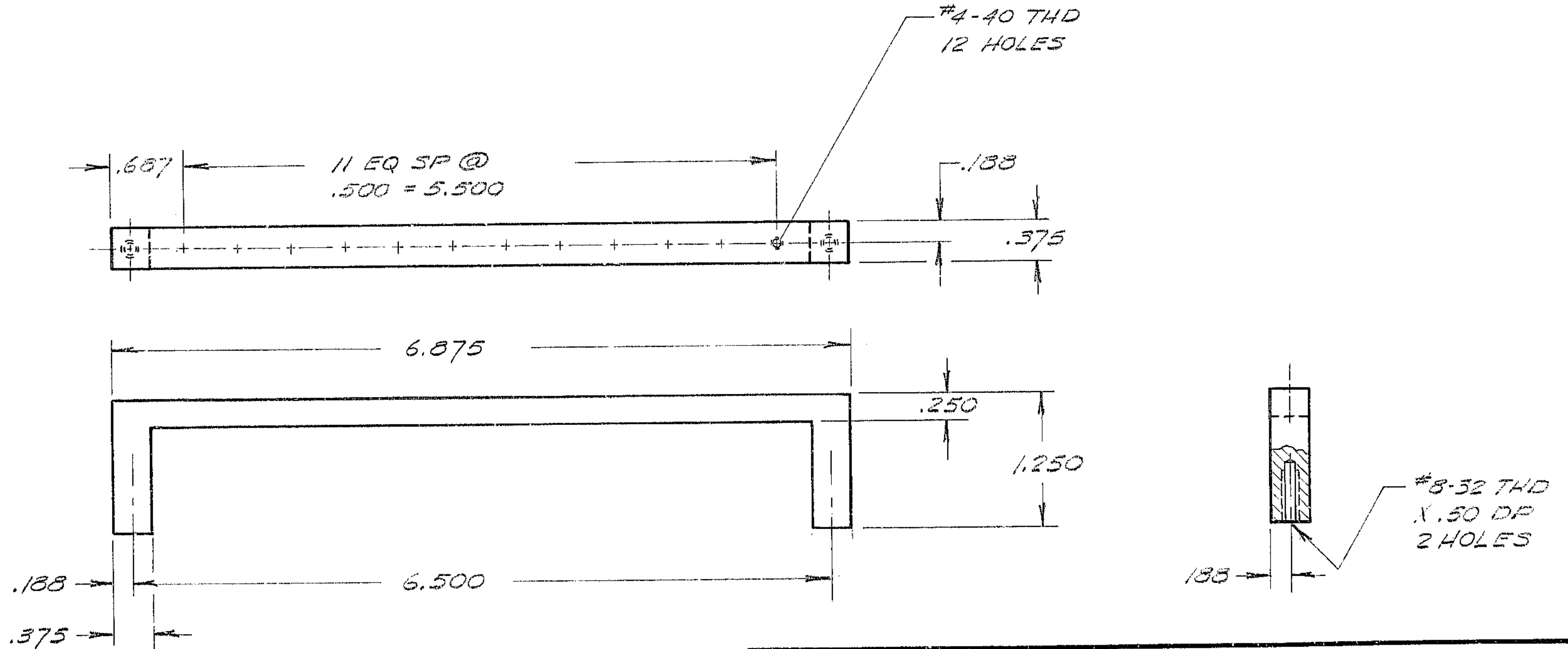


NOTES: UNLESS OTHERWISE NOTED

1. REMOVE ALL BURRS AND SHARP EDGES $\frac{.010}{R}$ MAX
2. MACHINED SURFACE ROUGHNESS $\frac{125}{\sqrt{}}$
3. MATERIAL: 6061-T6 AL ALY
4. FINISH: BLACK SULFURIC ANODIZE

REVISIONS

LTR	DESCRIPTION	ECR	DATE	BY	APVD



<p>TOLERANCES UNLESS OTHERWISE NOTED</p> <p>DECIMALS FRACTIONS ANGULAR</p> <p>.XX ± .03 ± — ± 0° 30'</p> <p>.XXX ± .010</p>			<p>KITT PEAK NATIONAL OBSERVATORY</p> <p>OPERATED BY THE ASSOCIATION OF UNIVERSITIES FOR RESEARCH IN ASTRONOMY, INC. UNDER CONTRACT WITH NATIONAL SCIENCE FOUNDATION</p>			
<p>NEXT ASSEMBLY 2150.340- 0405</p>		<p>NAME STANDOFF</p>		<p>REF FILE 1186</p>		
<p>SCALE 1/1</p>	<p>DESIGNED BY GRIFFITH</p>	<p>DATE 9-12-79</p>	<p>APPROVED BY [Signature]</p>	<p>DATE 9-14-79</p>	<p>DWG NO. 2150.340-5118</p>	<p>REV</p>
<p>PRINT ISSUED</p>	<p>DRAWN BY GRIFFITH</p>	<p>DATE 9-14-79</p>	<p>APPROVED BY</p>	<p>DATE</p>	<p>RELEASE DATE 10-14-83</p>	
	<p>CHECKED BY</p>	<p>DATE</p>	<p>APPROVED BY</p>	<p>DATE</p>		