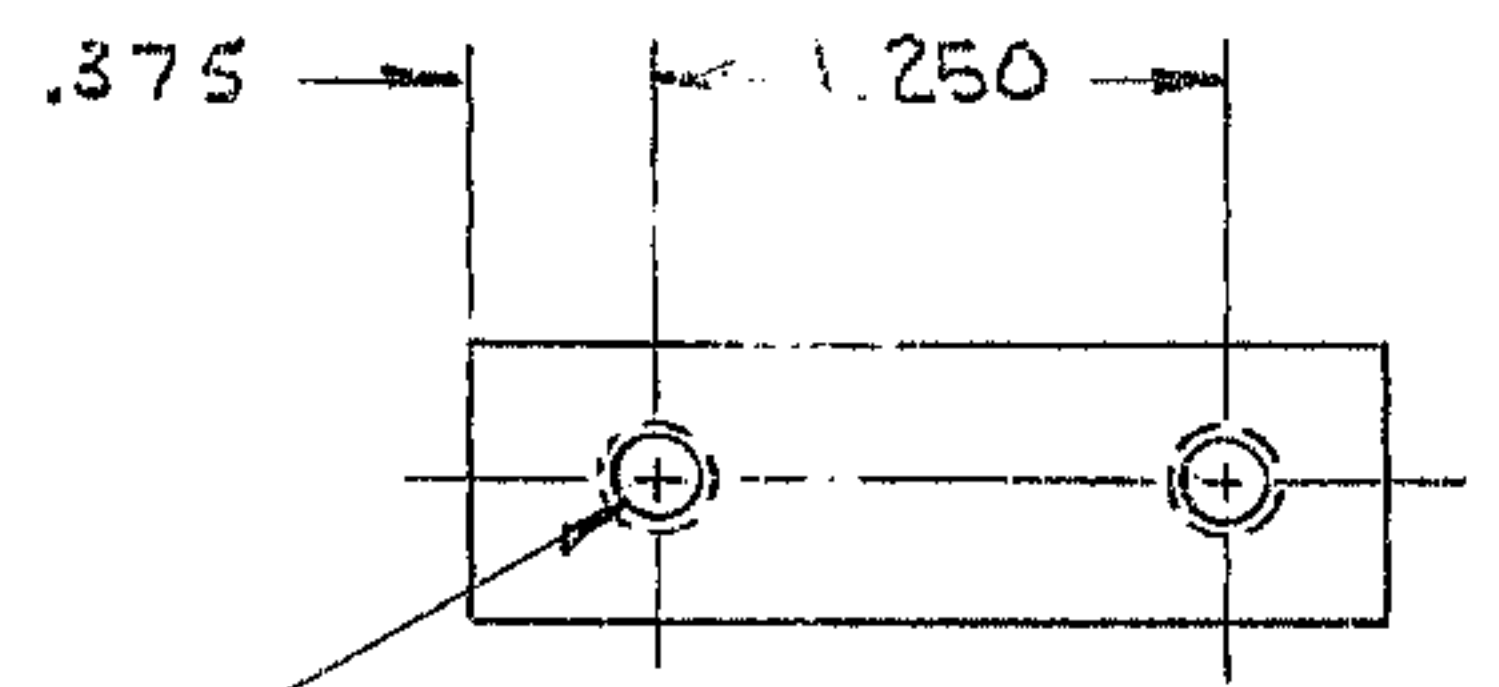
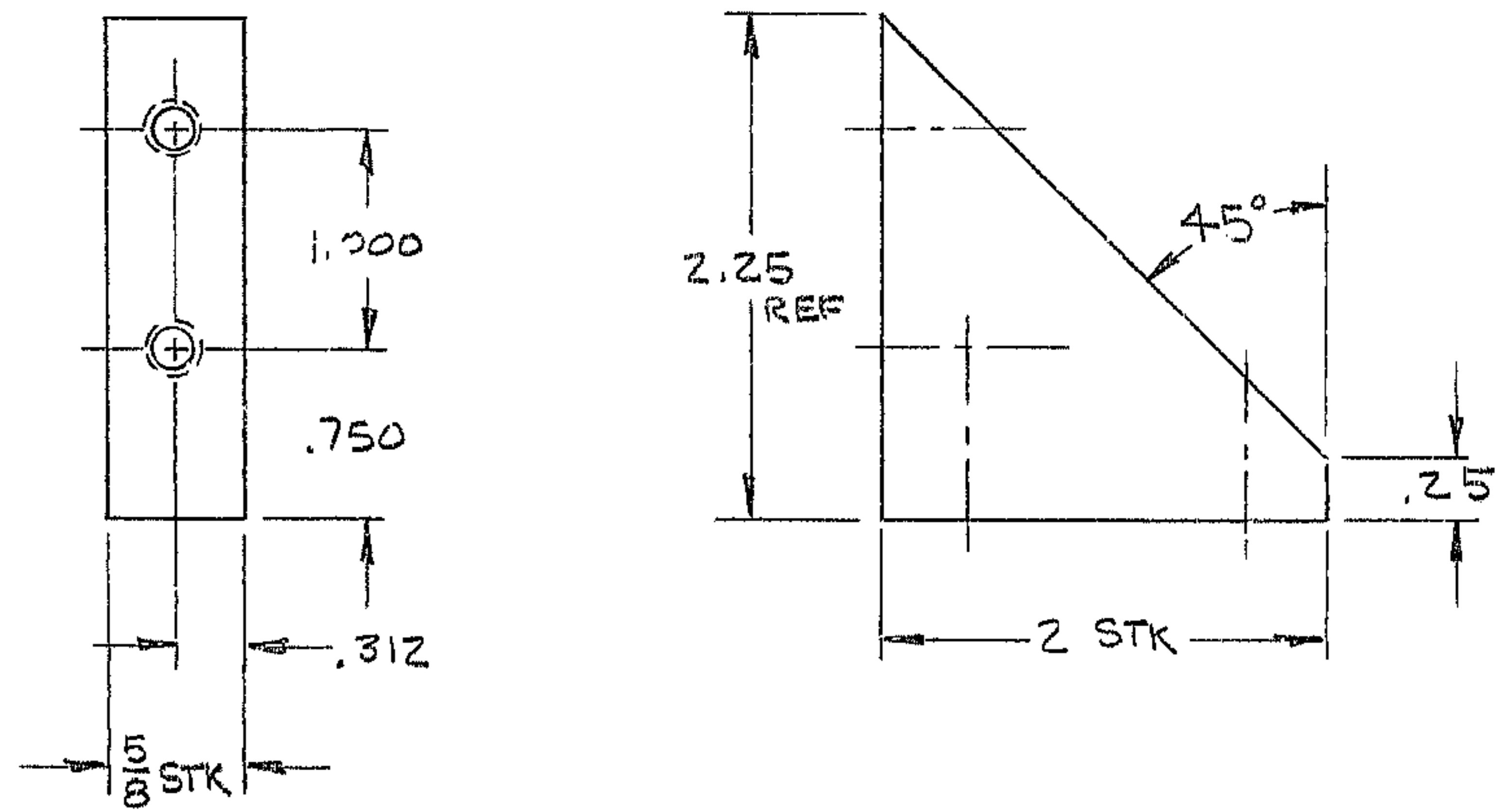


NOTES: UNLESS OTHERWISE NOTED

1. REMOVE ALL BURRS AND SHARP EDGES .03 R MAX
2. MACHINED SURFACE ROUGHNESS $\sqrt{125}$
3. MAT'L: ALUM ALLOY 2024-T3
4. FINISH: BLACK SULFURIC ANODIZE

REVISIONS				
LTR	DESCRIPTION	ECR	DATE	BY/APVD



$\frac{1}{4}$ -20 THD X .56 DEEP
4 HOLES

TOLERANCES UNLESS OTHERWISE NOTED DECIMALS FRACTIONS ANGULAR .XX ± .03 ± — ± 0° 30' .XXX ± .010			KITT PEAK NATIONAL OBSERVATORY OPERATED BY THE ASSOCIATION OF UNIVERSITIES FOR RESEARCH IN ASTRONOMY, INC. UNDER CONTRACT WITH NATIONAL SCIENCE FOUNDATION			
NEXT ASSEMBLY		NAME		REF FILE		
2150.340-E100		GUSSET		1186		
SCALE FULL	DESIGNED BY R.G.H.	DATE	APPROVED BY A.A.A.	DATE 7-30-79	DWG NO.	
PRINT ISSUED	DRAWN BY J.B.Hoey	DATE 6-20-79	APPROVED BY	DATE	2150.340-B117	
	CHECKED BY	DATE	APPROVED BY	DATE	RELEASE DATE 8-3-79	

PEB 8-3-79