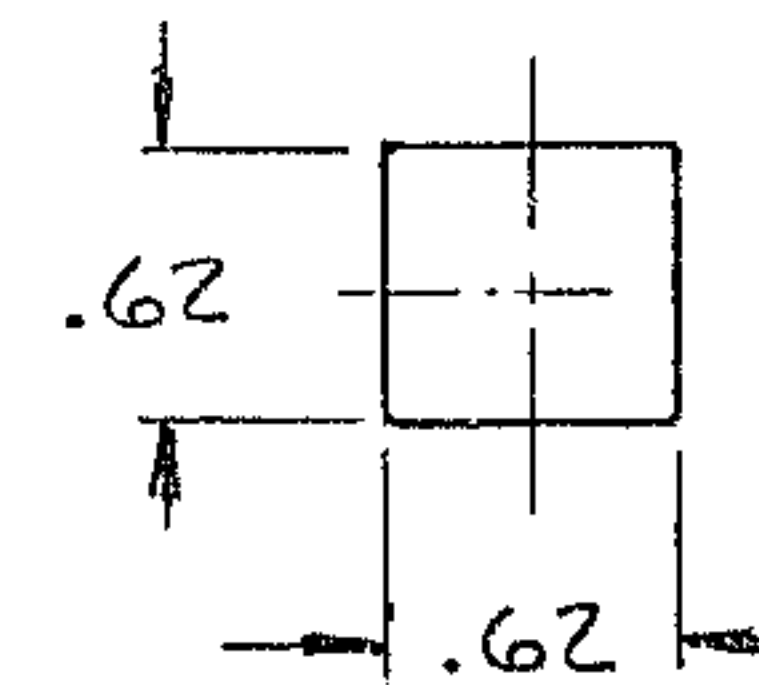
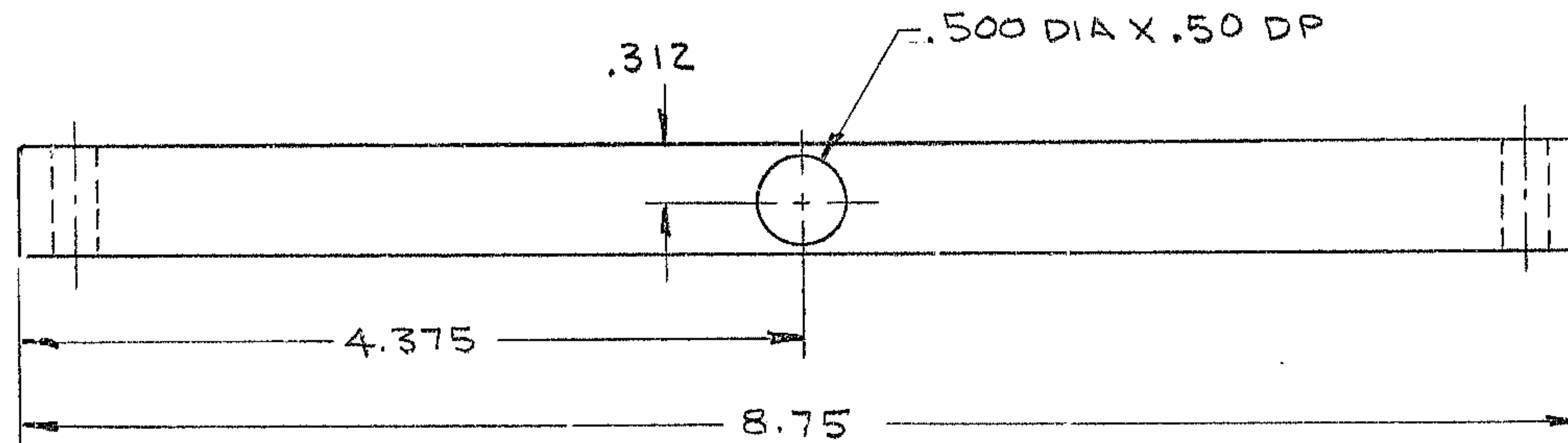
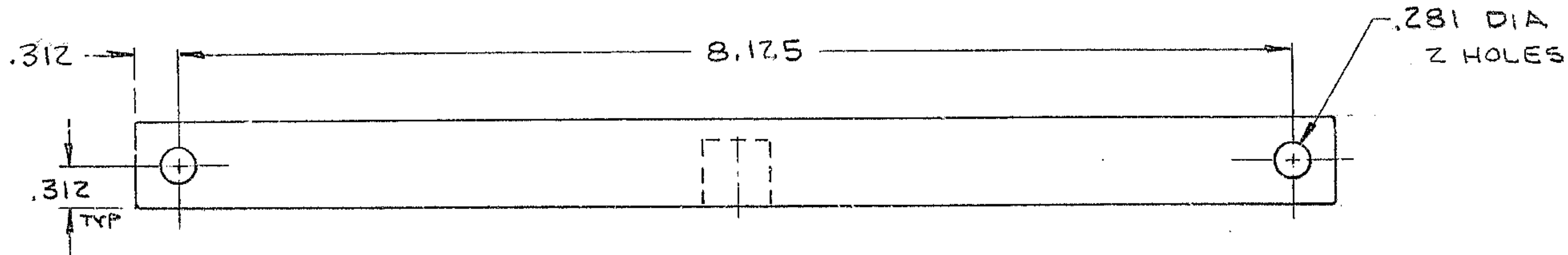


NOTES: UNLESS OTHERWISE NOTED

- 1. REMOVE ALL BURRS AND SHARP EDGES  $\text{---} R \text{ MAX}$
- 2. MACHINED SURFACE ROUGHNESS  $\frac{125}{\sqrt{\text{---}}}$
- 3. MAT'L: STAINLESS STL

REVISIONS				
LTR	DESCRIPTION	ECR	DATE	BY/APVD



TOLERANCES UNLESS OTHERWISE NOTED  
 DECIMALS    FRACTIONS    ANGULAR  
 .XX ± .03       ± —       ± 0° 30'

**KITT PEAK NATIONAL OBSERVATORY**  
 OPERATED BY THE  
 ASSOCIATION OF UNIVERSITIES FOR RESEARCH IN ASTRONOMY, INC.  
 UNDER CONTRACT WITH  
 NATIONAL SCIENCE FOUNDATION

NEXT ASSEMBLY	NAME	REF FILE
2150.340-E100	BAR	1186
SCALE FULL	DESIGNED BY S.P.H.	DATE 7-30-79
PRINT ISSUED	DRAWN BY J.B. Wasy	DATE 6-20-79
	CHECKED BY	DATE
	APPROVED BY A.A.A.	DATE 7-30-79
	APPROVED BY	DATE
	APPROVED BY	DATE
	DWG NO.	REV
	2150.340-B116	
	RELEASE DATE	8-3-79

PEB 8-3-79