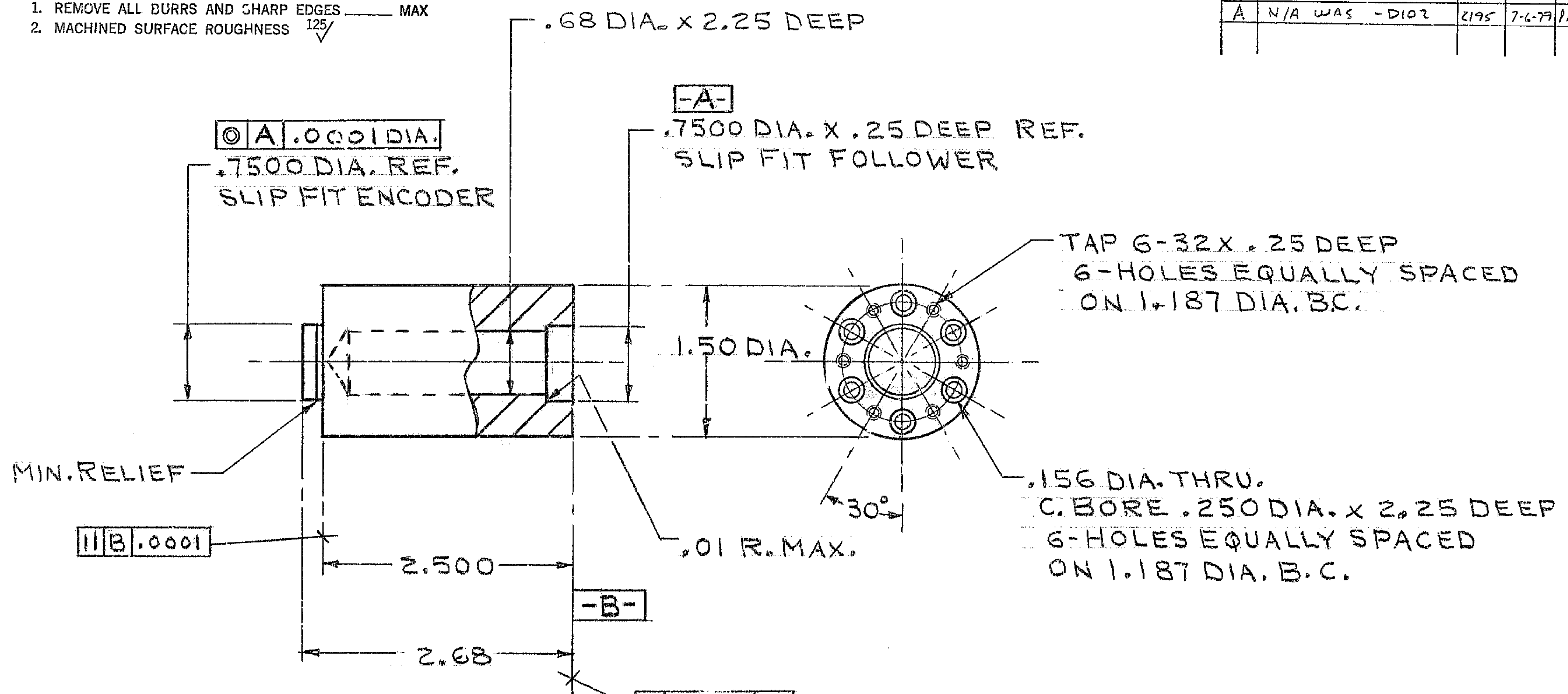


NOTES: UNLESS OTHERWISE NOTED  
 1. REMOVE ALL BURRS AND SHARP EDGES — MAX  
 2. MACHINED SURFACE ROUGHNESS  $\sqrt{125}$

REVISIONS				
LTR	DESCRIPTION	ECR	DATE	BY/APVD
A	N/A WAS -D102	2195	7-6-79	PK/AAA



MIN. RELIEF

III B .0001

ⓐ A .0001 DIA.  
 .7500 DIA. REF.  
 SLIP FIT ENCODER

.68 DIA. x 2.25 DEEP

-A-  
 .7500 DIA. x .25 DEEP REF.  
 SLIP FIT FOLLOWER

TAP 6-32 x .25 DEEP  
 6-HOLES EQUALLY SPACED  
 ON 1.187 DIA. B.C.

1.50 DIA.

.156 DIA. THRU.  
 C. BORE .250 DIA. x 2.25 DEEP  
 6-HOLES EQUALLY SPACED  
 ON 1.187 DIA. B.C.

.01 R. MAX.

-B-

IA .0001

MATL. STAINLESS STL,  
 I-REQD.

TOLERANCES UNLESS OTHERWISE NOTED		
DECIMALS	FRACTIONS	ANGULAR
.XX ± .03	± —	± 0° 30'
.XXX ± .010		

**KITT PEAK NATIONAL OBSERVATORY**  
 OPERATED BY THE  
 ASSOCIATION OF UNIVERSITIES FOR RESEARCH IN ASTRONOMY, INC.  
 UNDER CONTRACT WITH  
 NATIONAL SCIENCE FOUNDATION

NEXT ASSEMBLY 3150.340 -E100	NAME SHAFT EXTENSION RATE ENCODER	REF FILE 1186
------------------------------------	---	------------------

SCALE FULL	DESIGNED BY J.B.H.	DATE 5/24/73	APPROVED BY A.A.A.	DATE 7-9-74	DWG NO. 2150.340-B115	REV A
PRINT ISSUED	DRAWN BY R. LESW	DATE 9/5/73	APPROVED BY	DATE	RELEASE DATE 3-5-74	
	CHECKED BY	DATE	APPROVED BY	DATE		

ENC 3-5-74