

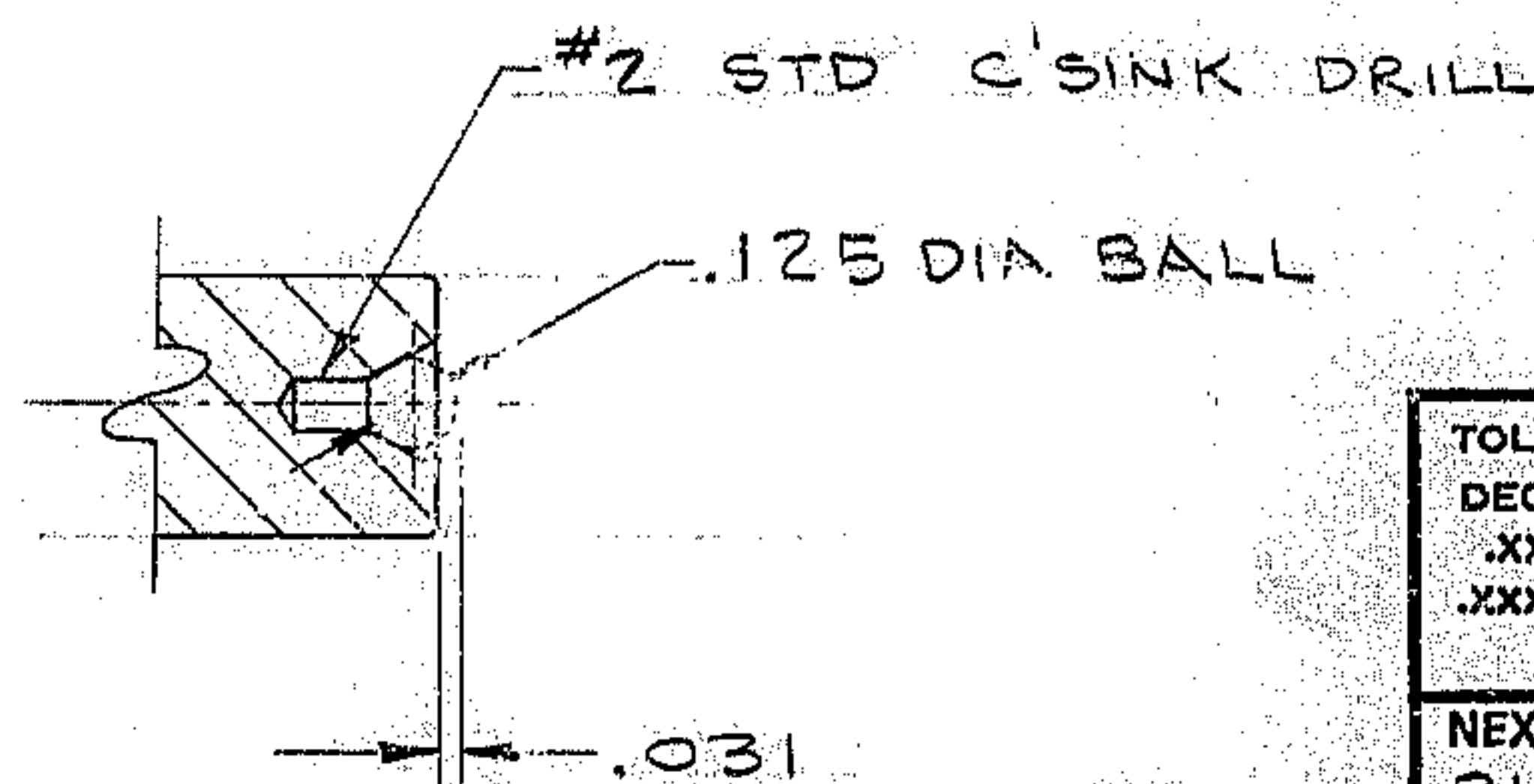
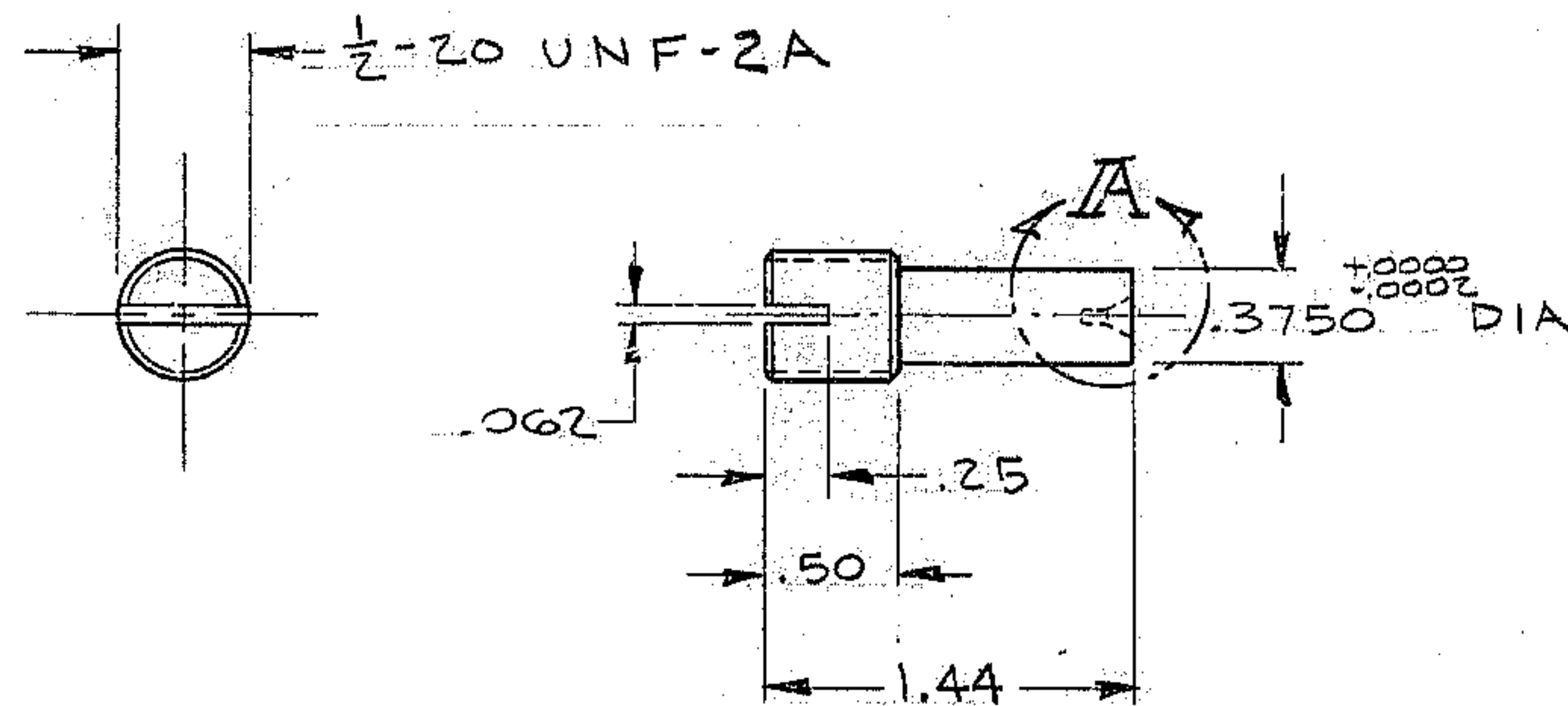
NOTES: UNLESS OTHERWISE NOTED

1. REMOVE ALL BURRS AND SHARP EDGES .02 R MAX
2. MACHINED SURFACE ROUGHNESS 125/

3. MAT'L: 416 STAINLESS STL

REVISIONS

LTR	DESCRIPTION	ECR	DATE	BY	APVD
A	ADDED 2223 USAGE	1149	3-25-74	AA	RAC
B	N/A WAS 2150.340-D102	2195	7-6-79	AA	A.A.A.



DETAIL A  
2 X SIZE

TOLERANCES UNLESS OTHERWISE NOTED			<b>KITT PEAK NATIONAL OBSERVATORY</b> OPERATED BY THE ASSOCIATION OF UNIVERSITIES FOR RESEARCH IN ASTRONOMY, INC. UNDER CONTRACT WITH NATIONAL SCIENCE FOUNDATION		
DECIMALS .XX ± .03 .XXX ± .010	FRACTIONS ± —	ANGULAR ± 0° 30'			
NEXT ASSEMBLY 2150.340-E100 2223-D1 2223-D2	NAME AXLE-PIVOT	REF FILE	1186.2208		
SCALE FULL	DESIGNED BY J.B. Hoag	DATE 4-10-73	APPROVED BY A.A.A.	DATE 7-9-74	DWG NO. 2150.340 B111
PRINT ISSUED	DRAWN BY J.B. Hoag	DATE 4-19-73	APPROVED BY	DATE	REV B
	CHECKED BY	DATE	APPROVED BY	DATE	RELEASE DATE 3-5-74

RAC 3-5-74