

NOTES: UNLESS OTHERWISE NOTED

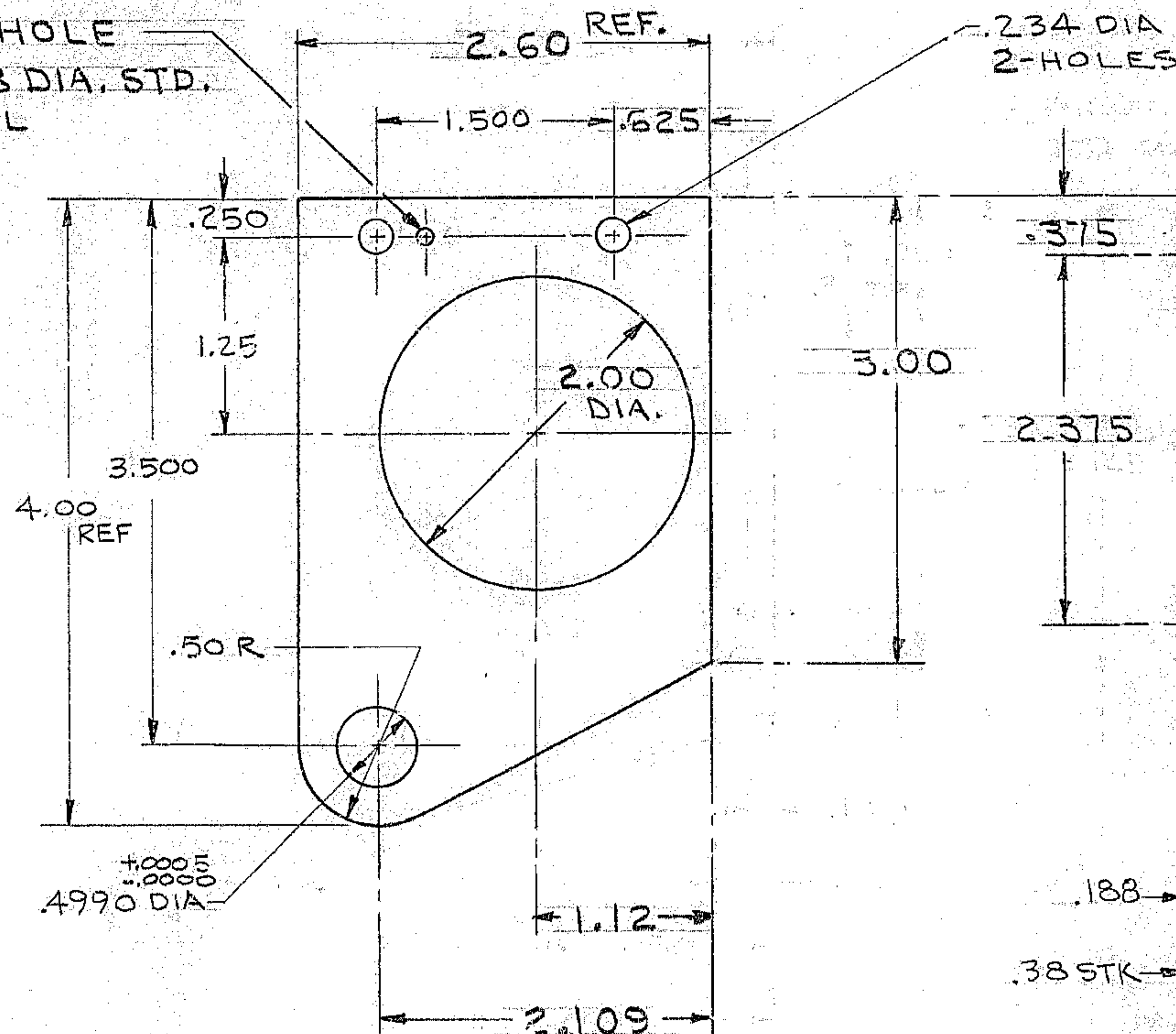
1. REMOVE ALL BURRS AND SHARP EDGES $.03 R$ MAX

2. MACHINED SURFACE ROUGHNESS $125 \sqrt{\text{ }}$

REVISIONS

LTR	DESCRIPTION	ECR	DATE	BY	APVD
A	N/A WAS -D10Z	Z195	7-6-73	PH	A.A.A.

PILOT HOLE FOR 1/8 DIA. STD. DOWEL



TAP 10-24 X .50 DP.
2-HOLES

MAT L: 6061-T6 AL ALY
Z REQD

TOLERANCES UNLESS OTHERWISE NOTED			KITT PEAK NATIONAL OBSERVATORY OPERATED BY THE ASSOCIATION OF UNIVERSITIES FOR RESEARCH IN ASTRONOMY, INC. UNDER CONTRACT WITH NATIONAL SCIENCE FOUNDATION		
DECIMALS .XX ± .03 .XXX ± .010	FRACTIONS # —	ANGULAR ± 0° 30'			
NEXT ASSEMBLY 2150.340-E100	NAME PLATE-END, IDLER WHEEL MOUNT	REF FILE	1186		
SCALE FULL	DESIGNED BY D.B. Henry	DATE 4-10-73	APPROVED BY A.A.A.	DATE 1-9-74	DWG NO. 2150.340B108
PRINT ISSUED	DRAWN BY D.B. Henry	DATE 4-19-73	APPROVED BY	DATE	REV A
	CHECKED BY	DATE	APPROVED BY	DATE	RELEASE DATE 3-5-74

rac 3-5-74