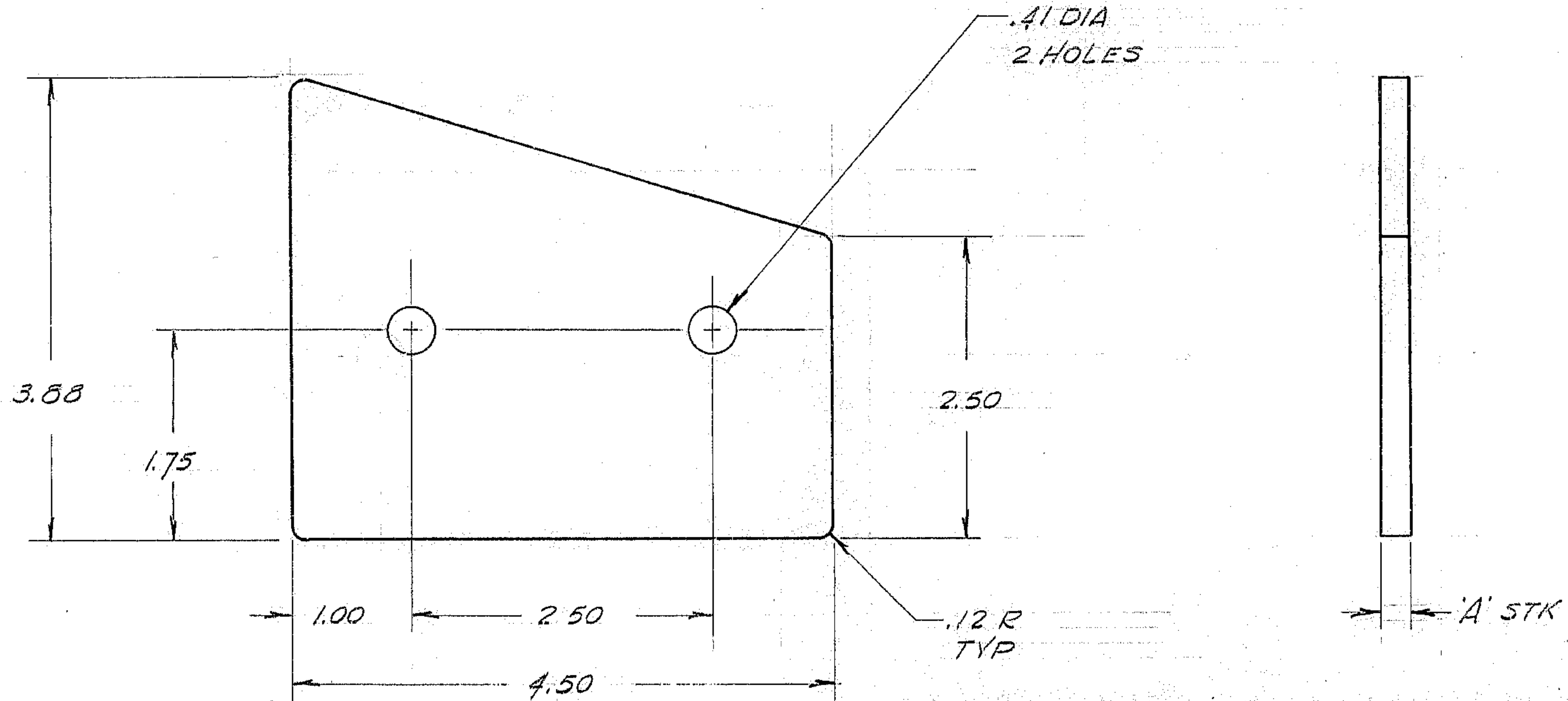


NOTES: UNLESS OTHERWISE NOTED

1. REMOVE ALL BURRS AND SHARP EDGES  $.020$  R MAX
2. MACHINED SURFACE ROUGHNESS  $125$  ✓
3. MATERIAL: SHEET LEAD

| REVISIONS |             |     |      |         |
|-----------|-------------|-----|------|---------|
| LTR       | DESCRIPTION | ECR | DATE | BY/APVD |
|           |             |     |      |         |



|          |     |
|----------|-----|
| DASH NO. | A   |
| -1       | 1/8 |
| -2       | 1/4 |

|   |                                 |  |                                    |                          |                                      |                           |                    |             |             |  |  |  |  |  |
|---|---------------------------------|--|------------------------------------|--------------------------|--------------------------------------|---------------------------|--------------------|-------------|-------------|--|--|--|--|--|
| <p>TOLERANCES UNLESS OTHERWISE NOTED</p> <table> <tr> <td>DECIMALS</td> <td>FRACTIONS</td> <td>ANGULAR</td> </tr> <tr> <td>.XX ± .03</td> <td>± —</td> <td>± 0° 30'</td> </tr> <tr> <td>.XXX ± .010</td> <td></td> <td></td> </tr> </table> |                                 |  | DECIMALS                           | FRACTIONS                | ANGULAR                              | .XX ± .03                 | ± —                | ± 0° 30'    | .XXX ± .010 |  |  | <p><b>KITT PEAK NATIONAL OBSERVATORY</b><br/>         OPERATED BY THE<br/>         ASSOCIATION OF UNIVERSITIES FOR RESEARCH IN ASTRONOMY, INC.<br/>         UNDER CONTRACT WITH<br/>         NATIONAL SCIENCE FOUNDATION</p> |  |  |
| DECIMALS  | FRACTIONS                       | ANGULAR  |                                    |                          |                                      |                           |                    |             |             |  |  |  |  |  |
| .XX ± .03   | ± —                             | ± 0° 30'                                       |                                    |                          |                                      |                           |                    |             |             |  |  |  |  |  |
| .XXX ± .010   |                                 |  |                                    |                          |                                      |                           |                    |             |             |  |  |  |  |  |
| <p>NEXT ASSEMBLY<br/>2150.340-E002</p>  |                                 | <p>NAME<br/>BALANCE WEIGHT-<br/>ADDITIONAL</p> |                                    | <p>REP<br/>FILE 1186</p> |                                      |                           |                    |             |             |  |  |  |  |  |
| <p>SCALE 1/1</p>  | <p>DESIGNED BY<br/>GRIFFITH</p> | <p>DATE<br/>2-14-77</p>                        | <p>APPROVED BY<br/>[Signature]</p> | <p>DATE<br/>2-28-77</p>  | <p>DWG NO.<br/>2150.340.B049</p>     | <p>REV</p>                |                    |             |             |  |  |  |  |  |
| <p>PRINT ISSUED</p>   | <p>DRAWN BY<br/>GRIFFITH</p>    | <p>DATE<br/>2-14-77</p>                        | <p>APPROVED BY</p>                 | <p>DATE</p>              | <p>RELEASE DATE<br/>JUL - 7 1977</p> | <p>CHECKED BY<br/>763</p> | <p>APPROVED BY</p> | <p>DATE</p> |             |  |  |  |  |  |