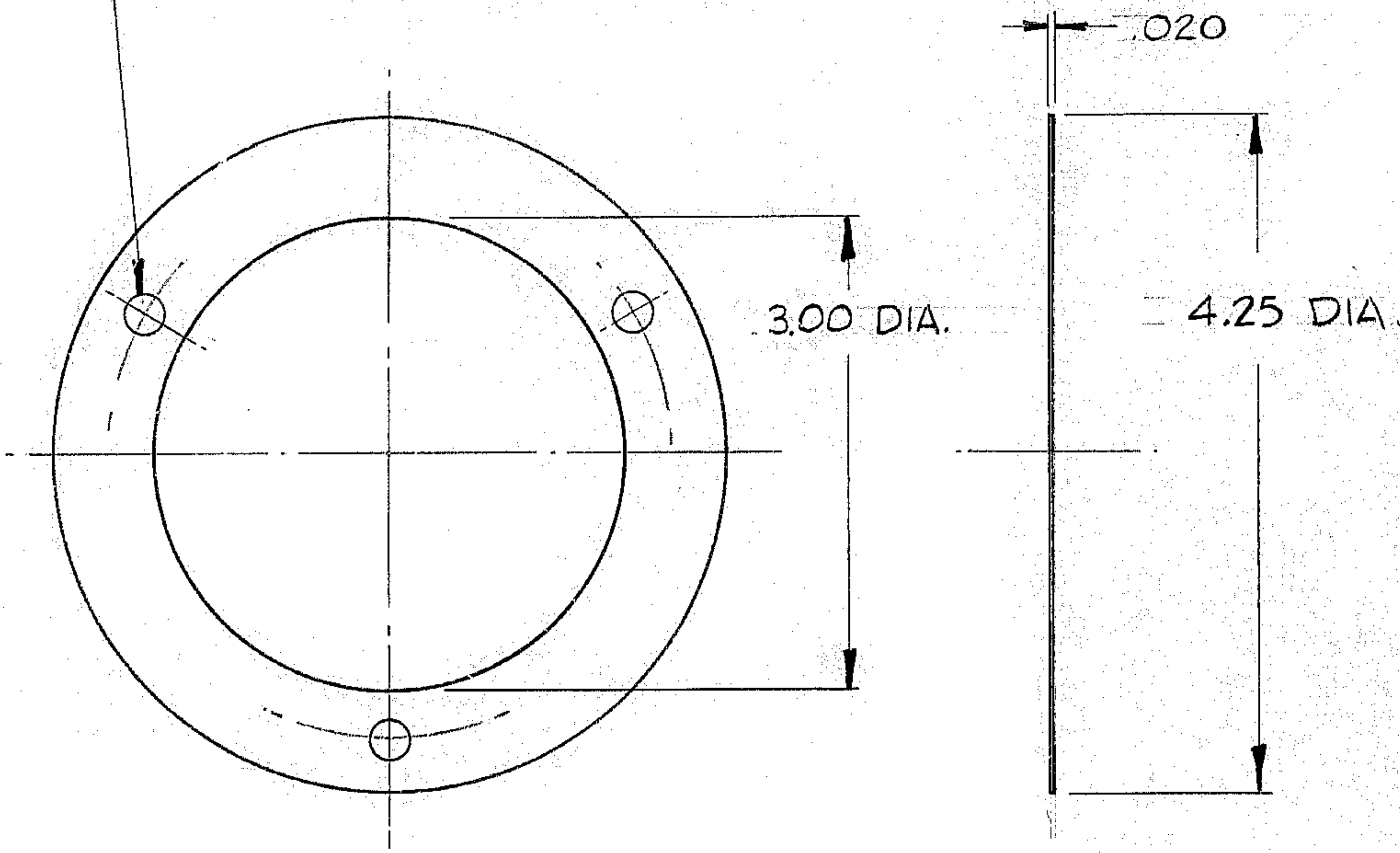


.28 DIA. THRU - 3 HOLES
EQUALLY SPACED ON A
3.62 DIA BOLT CIRCLE.



5-MAT'L: AL ALLOY - .002 LAMINATES
4-INTERPRET DWG PER USASI-Y14.5-1966
3-IDENTIFY BY TAG AT LOCATION 3, KURA INC. MADE IN U.S.A.
~~2-TEMP MATCH MARKS ON ALL MATING PARTS WHERE NECESSARY~~
1-FOR NEXT ASSY. SEE 2150.340 E 002
2150 000 5013 E, 2150 000 5014 E

NOTES:

				TOLERANCES UNLESS OTHERWISE NOTED DECIMAL DIMENSIONS 00.00 ± .010 00.000 ± .003 FRACTIONAL DIMENSIONS UP TO 18° ± 1/64 18° TO 50° ± 1/32 50° & OVER ± 1/16 BREAK SHARP EDGES ALL SURFACES TO HAVE 125 FINISH UNLESS OTHERWISE NOTED.		KITT PEAK NATIONAL OBSERVATORY OPERATED BY THE ASSOCIATION OF UNIVERSITIES FOR RESEARCH IN ASTRONOMY, INC. UNDER CONTRACT WITH NATIONAL SCIENCE FOUNDATION	
				150" STELLAR TELESCOPE		REF. FILE 1186	
				NAME SHIM		SCALE 1/1 PRINT ISSUED	
DES'D BY		DATE		APP'D BY		DATE	
DRN BY PARNESS		8-25-71		APP'D BY BAKER		10/19/71	
CH'KD BY CHADD.		10-19-71		APP'D BY 66		10-19-71	
LET. A		REVISION N/A No's		3274 840-92 JH		DRAWING NUMBER 2150.340 B 029	
ECR		DATE		BY		REV. A	