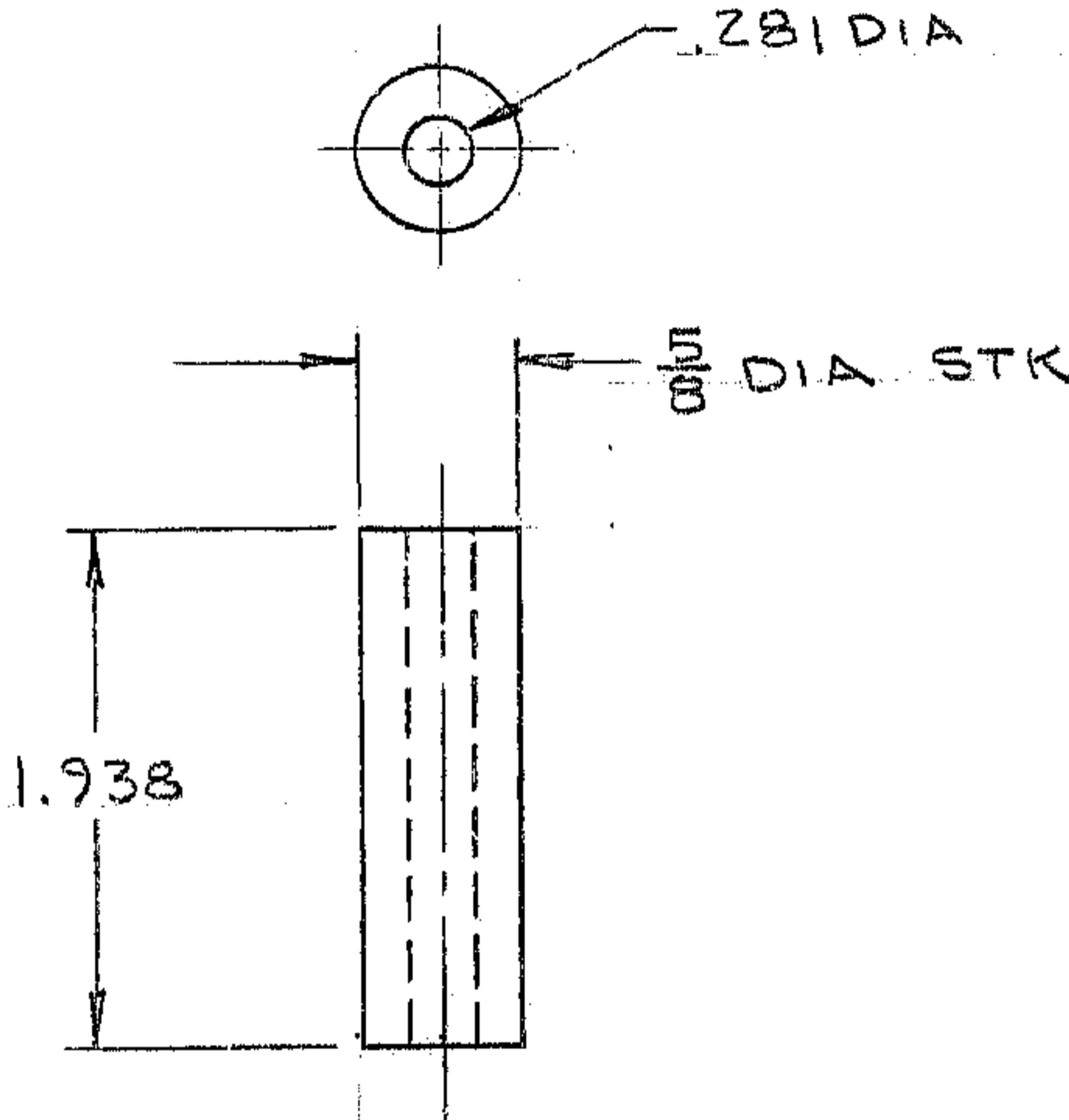


NOTES: UNLESS OTHERWISE NOTED.

1. REMOVE ALL BURRS AND SHARP EDGES .01 R MAX
2. MACHINED SURFACE ROUGHNESS $1.25\sqrt{\text{ }}$
3. MAT'L: ALUM ALLOY 2024-T3
4. FINISH: BLACK SULFURIC ANODIZE

REVISIONS

LTR	DESCRIPTION	ECR	DATE	BY	APVD



TOLERANCES UNLESS OTHERWISE NOTED
 DECIMALS FRACTIONS ANGULAR
 .XX ± .03 ± — ± 0° 30'
 .XXX ± .010

KITT PEAK NATIONAL OBSERVATORY
 OPERATED BY THE
 ASSOCIATION OF UNIVERSITIES FOR RESEARCH IN ASTRONOMY, INC.
 UNDER CONTRACT WITH
 NATIONAL SCIENCE FOUNDATION

NEXT ASSEMBLY	NAME	REF FILE
2150.340-E100	SPACER	1186

SCALE FULL	DESIGNED BY J.B.H.	DATE	APPROVED BY A.A.A.	DATE 7-30-79	DWG NO.	REV
PRINT ISSUED	DRAWN BY J.B.HOEY	DATE 6-20-79	APPROVED BY	DATE	2150.340-A101	
	CHECKED BY	DATE	APPROVED BY	DATE	RELEASE DATE 8-3-79	