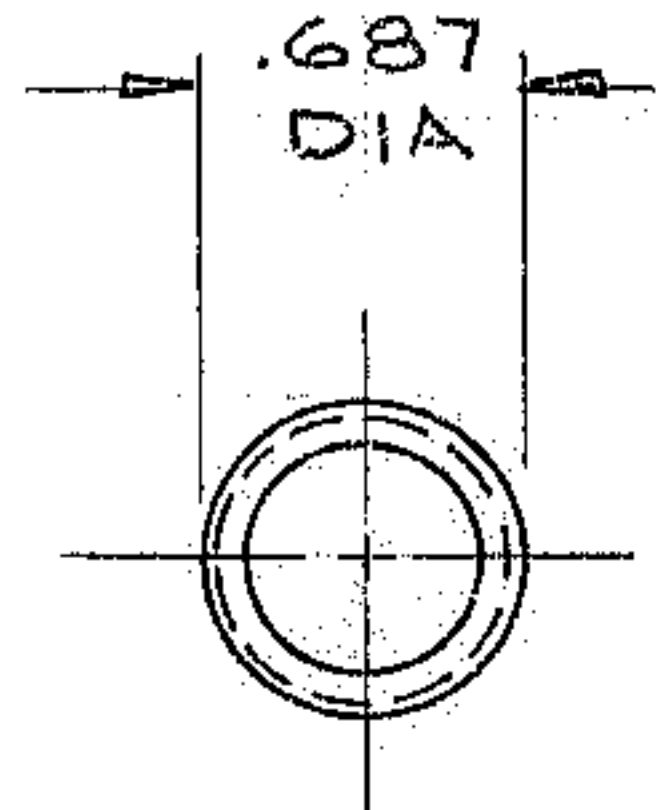
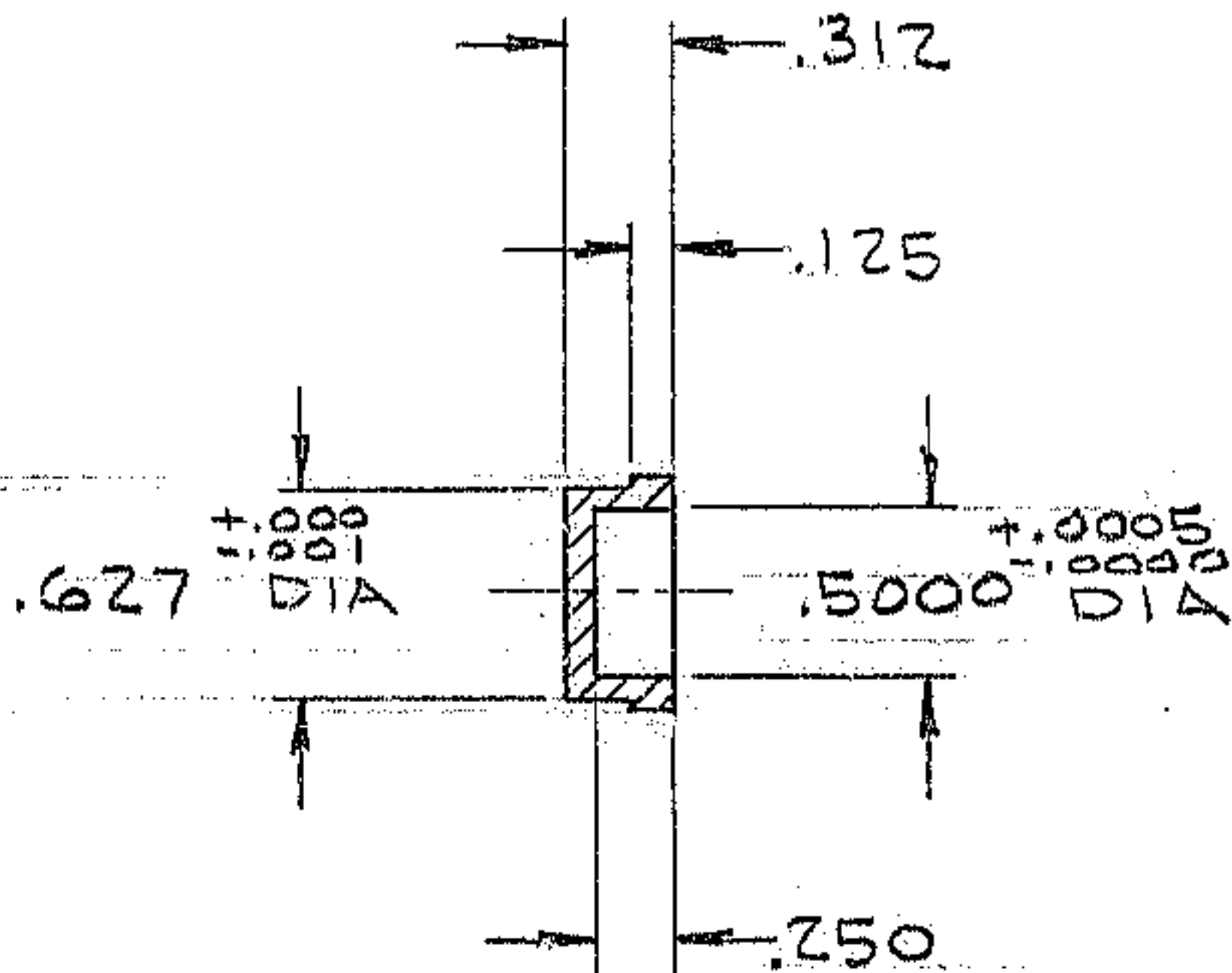


**NOTES: UNLESS OTHERWISE NOTED.**

1. REMOVE ALL BURRS AND SHARP EDGES .03 R MAX
2. MACHINED SURFACE ROUGHNESS 125/
3. MAT'L: STAINLESS STEEL

**REVISIONS**

LTR	DESCRIPTION	ECR	DATE	BY	APVD



TOLERANCES UNLESS OTHERWISE NOTED  
 DECIMALS      FRACTIONS      ANGULAR  
 .XX ± .03      ± —      ± 0° 30'

**KITT PEAK NATIONAL OBSERVATORY**

OPERATED BY THE  
 ASSOCIATION OF UNIVERSITIES FOR RESEARCH IN ASTRONOMY, INC.  
 UNDER CONTRACT WITH  
 NATIONAL SCIENCE FOUNDATION

NEXT ASSEMBLY

NAME

REF  
FILE

1186

2150.350-E100

INSERT

SCALE FULL

DESIGNED BY

DATE

APPROVED BY

DATE

DWG NO.

REV

*J.B. Hacy*

6-21-79

*A.A.A.*

7-30-79

2150.340-A100

PRINT ISSUED

DRAWN BY

DATE

APPROVED BY

DATE

*J.B. Hacy*

6-21-79

RELEASE DATE 8-3-79