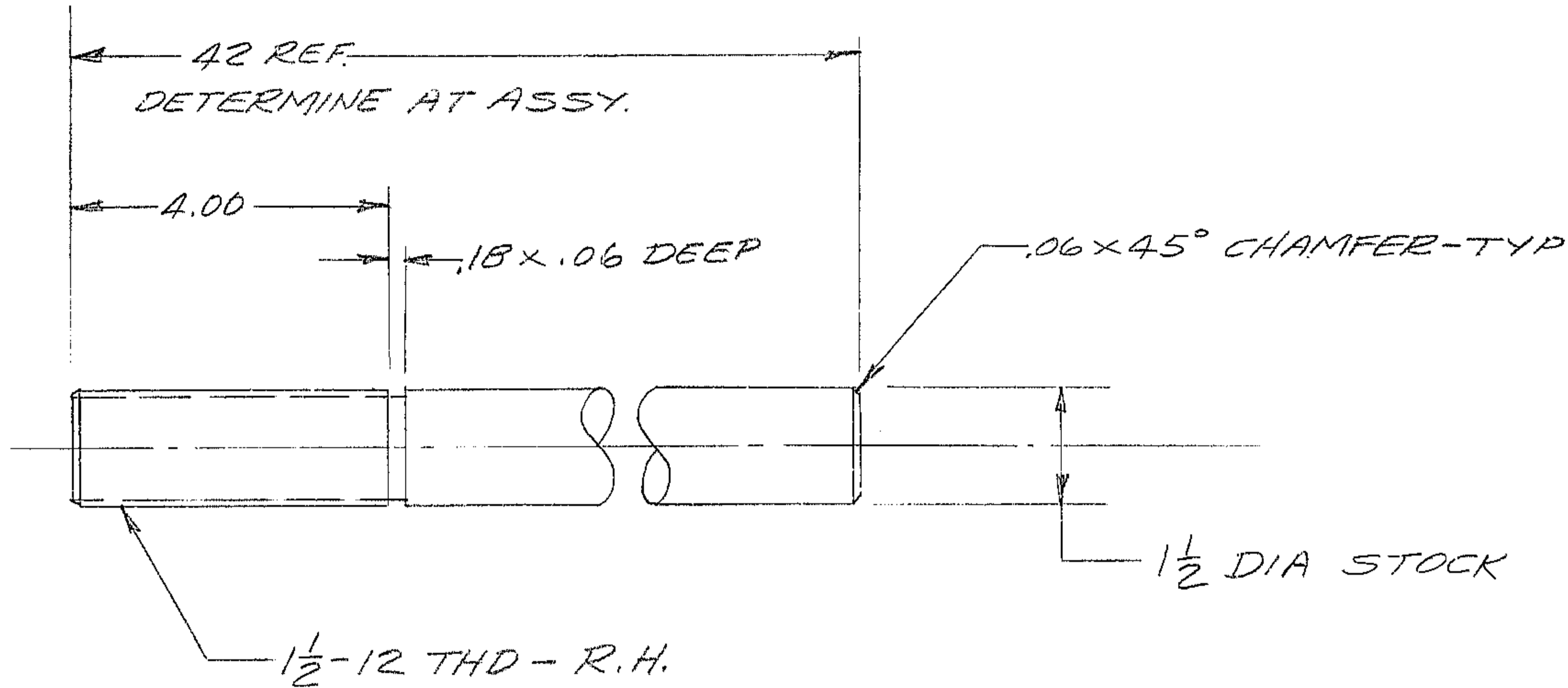


- NOTES: UNLESS OTHERWISE NOTED
1. REMOVE ALL BURRS AND SHARP EDGES — R MAX
 2. MACHINED SURFACE ROUGHNESS $\sqrt{125}$
 3. *MATL - COLD ROLLED STL*

REVISIONS					
LTR	DESCRIPTION	ECR	DATE	BY	APVD



TOLERANCES UNLESS OTHERWISE NOTED DECIMALS .XX ± .03 FRACTIONS ± — ANGULAR ± 0° 30'			KITT PEAK NATIONAL OBSERVATORY OPERATED BY THE ASSOCIATION OF UNIVERSITIES FOR RESEARCH IN ASTRONOMY, INC. UNDER CONTRACT WITH NATIONAL SCIENCE FOUNDATION		
NEXT ASSEMBLY 2150.330 - E102		NAME TURNBUCKLE ROD - R.H.		REF FILE 1185	
SCALE 1/2 PRINT ISSUED	DESIGNED BY MANEY	DATE 1-17-74	APPROVED BY [Signature]	DATE [Blank]	DWG NO. 2150.330-B107
	CHECKED BY [Blank]	DATE [Blank]	APPROVED BY [Blank]	DATE [Blank]	RELEASE DATE 1-22-74

RAC 1-22-74