

NOTES: UNLESS OTHERWISE NOTED

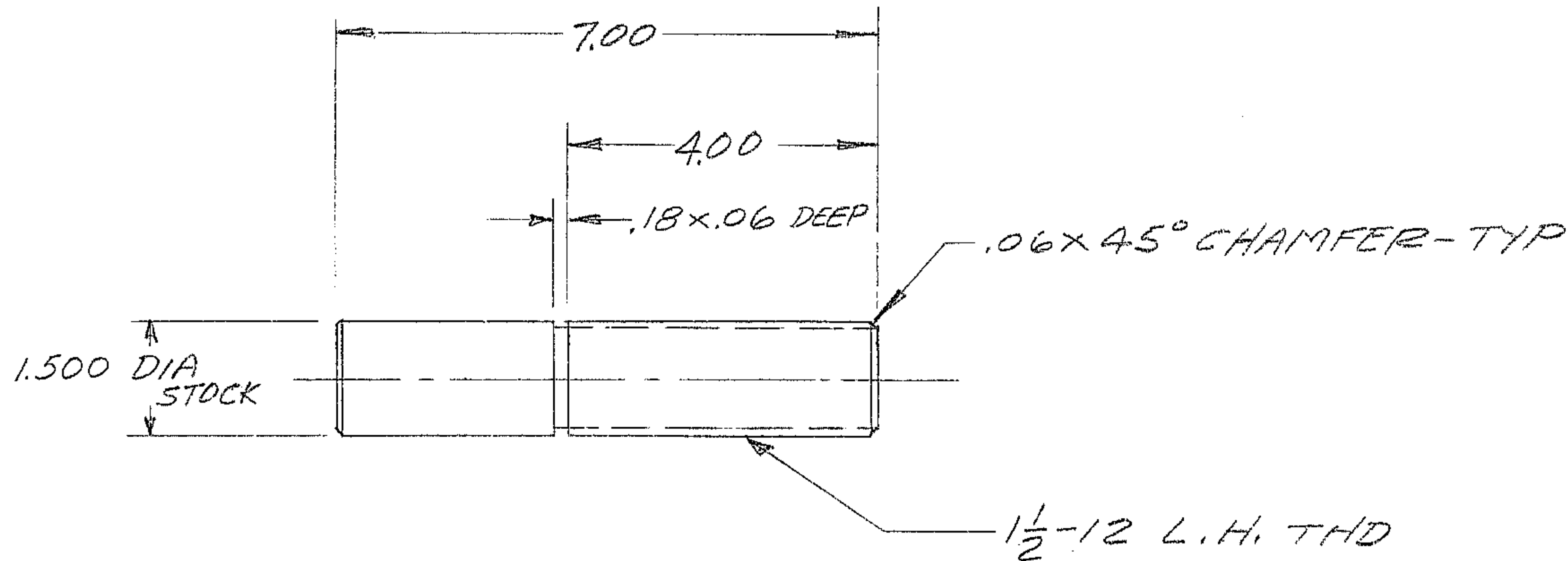
1. REMOVE ALL BURRS AND SHARP EDGES  $\text{--- R MAX}$

2. MACHINED SURFACE ROUGHNESS  $\frac{125}{\sqrt{\text{---}}}$

3. MATL - COLD ROLLED STL

REVISIONS

LTR	DESCRIPTION	ECR	DATE	BY	APVD



<p>TOLERANCES UNLESS OTHERWISE NOTED</p> <p>DECIMALS    FRACTIONS    ANGULAR</p> <p>.XX ± .03            ± —            ± 0° 30'</p> <p>.XXX ± .010</p>			<p><b>KITT PEAK NATIONAL OBSERVATORY</b></p> <p>OPERATED BY THE ASSOCIATION OF UNIVERSITIES FOR RESEARCH IN ASTRONOMY, INC. UNDER CONTRACT WITH NATIONAL SCIENCE FOUNDATION</p>		
<p>NEXT ASSEMBLY</p> <p>2150.330 - E102</p>		<p>NAME</p> <p>TURNBUCKLE ROD - L.H.</p>		<p>REF FILE</p> <p>1185</p>	
<p>SCALE</p> <p><math>\frac{1}{2}</math></p>	<p>DESIGNED BY</p> <p>DATE</p>	<p>APPROVED BY</p> <p>DATE</p>	<p>DWG NO.</p> <p>2150.330-B106</p>	<p>REV</p>	
<p>PRINT ISSUED</p>	<p>DRAWN BY</p> <p>MANE 1-17-74</p>	<p>APPROVED BY</p> <p>DATE</p>	<p>RELEASE DATE</p> <p>1-22-74</p>		

RAC 1-22-74