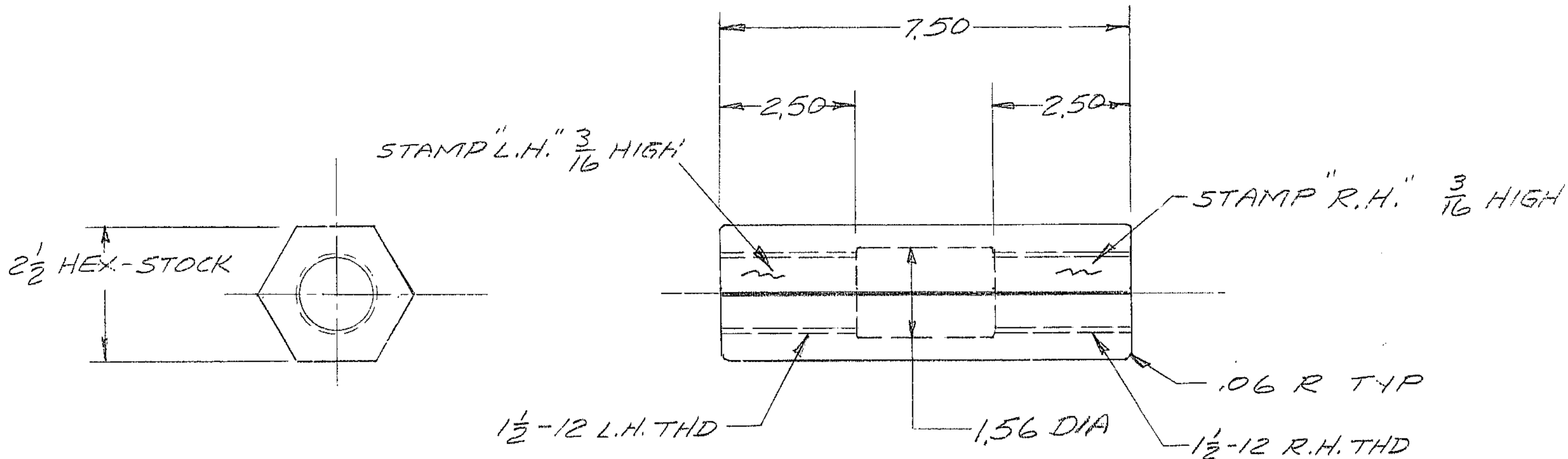


NOTES: UNLESS OTHERWISE NOTED

1. REMOVE ALL BURRS AND SHARP EDGES --- R MAX
2. MACHINED SURFACE ROUGHNESS $\frac{125}{\sqrt{\text{---}}}$
3. MATL - COLD ROLLED STL

REVISIONS				
LTR	DESCRIPTION	ECR	DATE	BY/APVD



TOLERANCES UNLESS OTHERWISE NOTED DECIMALS FRACTIONS ANGULAR .XX ± .03 ± — ± 0° 30' .XXX ± .010			KITT PEAK NATIONAL OBSERVATORY <small>OPERATED BY THE ASSOCIATION OF UNIVERSITIES FOR RESEARCH IN ASTRONOMY, INC. UNDER CONTRACT WITH NATIONAL SCIENCE FOUNDATION</small>		
NEXT ASSEMBLY 2150.330- E102		NAME TURNBUCKLE		REF FILE 1185	
SCALE 1/2		DESIGNED BY MANEY	DATE 1-17-74	APPROVED BY [Signature]	DATE [Blank]
PRINT ISSUED		CHECKED BY [Blank]	DATE [Blank]	APPROVED BY [Blank]	DATE [Blank]
DWG NO. 2150.330-B105			REV [Blank]		
RELEASE DATE 1-22-74			[Blank]		

RAC 1-22-74