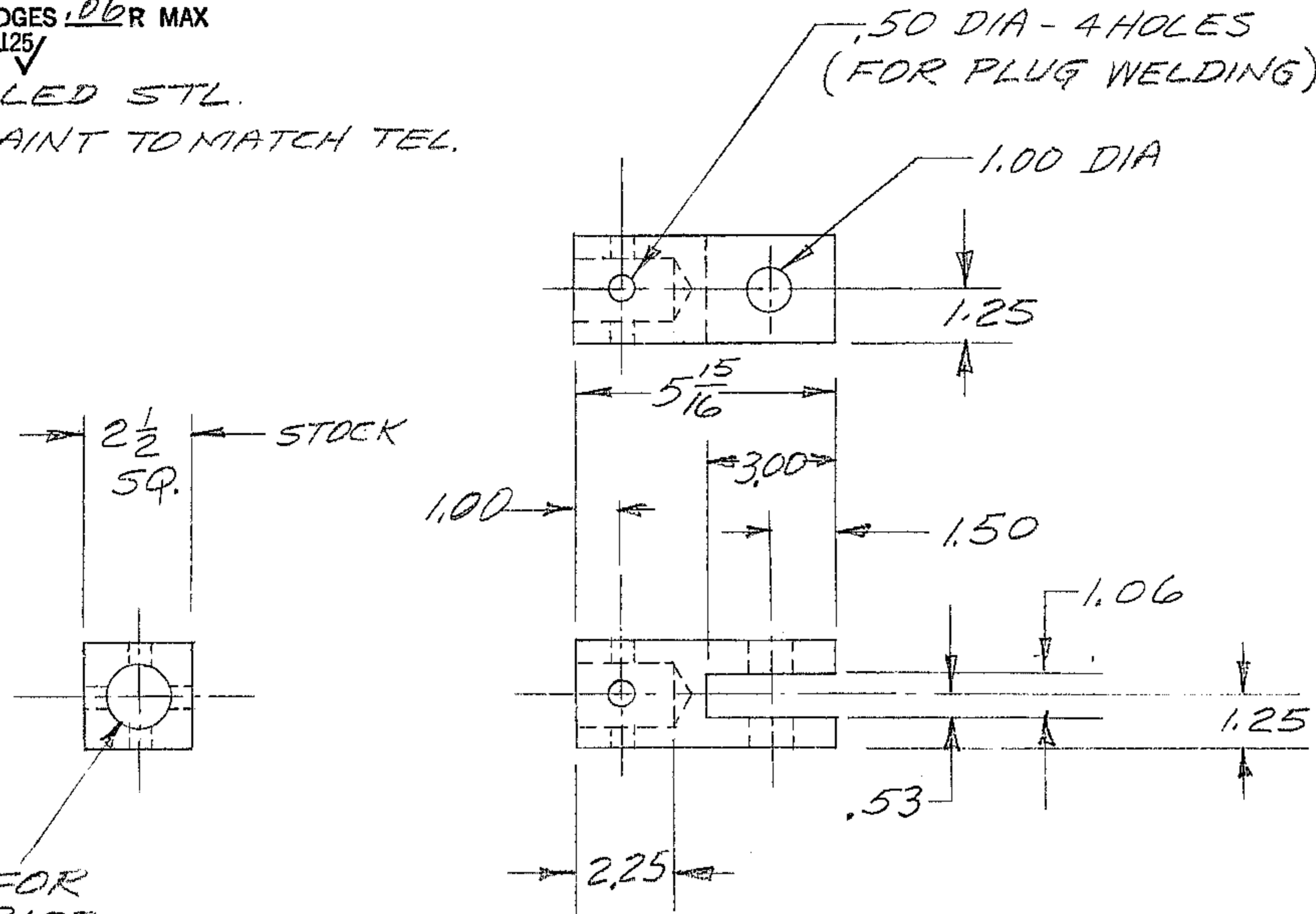


NOTES: UNLESS OTHERWISE NOTED

1. REMOVE ALL BURRS AND SHARP EDGES $\cdot 06R$ MAX
2. MACHINED SURFACE ROUGHNESS $\sqrt{125}$
3. MATL - COLD ROLLED STL.
4. FINISH - PRIME & PAINT TO MATCH TEL.

REVISIONS				
LTR	DESCRIPTION	ECR	DATE	BY/APVD



1.500 DIA. REF- S.F. FOR
2150.330 - B106 & B107

TOLERANCES UNLESS OTHERWISE NOTED DECIMALS FRACTIONS ANGULAR .XX ± .03 ± 1/16 ± 0° 30' .XXX ± .010			KITT PEAK NATIONAL OBSERVATORY <small>OPERATED BY THE ASSOCIATION OF UNIVERSITIES FOR RESEARCH IN ASTRONOMY, INC. UNDER CONTRACT WITH NATIONAL SCIENCE FOUNDATION</small>		
NEXT ASSEMBLY 2150.330- E102		NAME CLEVIS		REF FILE 1185	
SCALE 1/4	DESIGNED BY DATE	APPROVED BY DATE	DWG NO. 2150.330-B104	REV	
PRINT ISSUED	DRAWN BY MANEY DATE 1-17-74	APPROVED BY DATE	RELEASE DATE 1-22-74	DATE	

RAG 1-22-74