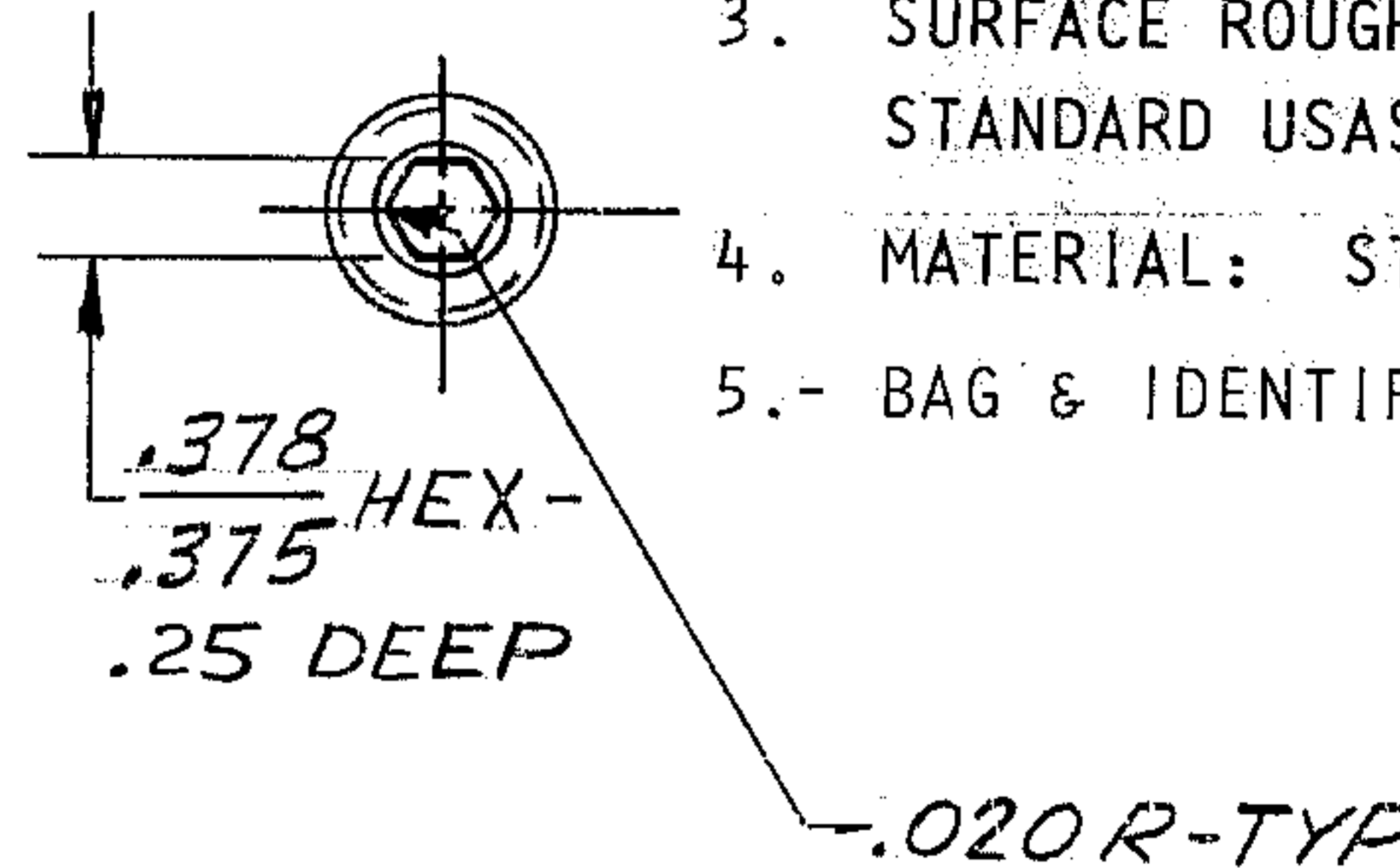
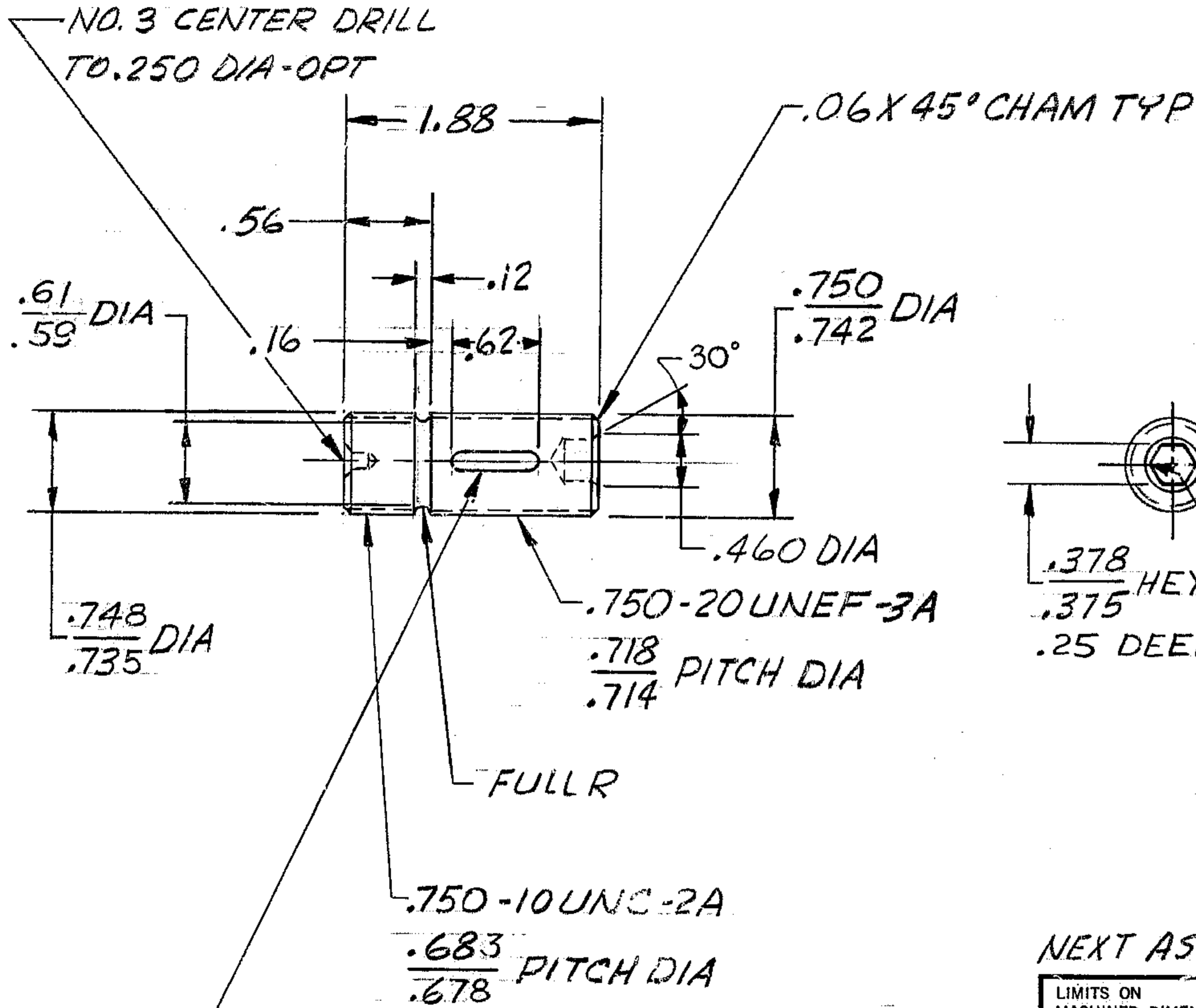


THIS DOCUMENT CONTAINS INFORMATION PROPRIETARY TO WESTERN GEAR CORPORATION. ALL DESIGN, MANUFACTURING, REPRODUCTION, USE, PATENT, AND SALES RIGHTS REGARDING THE SAME ARE HEREBY EXPRESSLY RESERVED BY WESTERN GEAR CORPORATION. THIS DOCUMENT IS SUBMITTED FOR REFERENCE PURPOSES ONLY AND SHALL NOT BE DISCLOSED TO ANY UNAUTHORIZED PERSON OR INCORPORATED INTO ANY OTHER PROJECT.

REVISIONS				
ZONE	LTR	DESCRIPTION	DATE	APPROVED



NOTES: UNLESS OTHERWISE SPECIFIED

1. ALL DIMENSIONS ARE IN INCHES.
2. INTERPRET DIMENSIONING & TOLERANCING PER USA STANDARD USAS1-Y14.5-1966.
3. SURFACE ROUGHNESS 125/ ALL OVER PER USA STANDARD USAS-B46.1-1962.
4. MATERIAL: STEEL BAR, 4340 QQ-S-624.
5. BAG & IDENTIFY WITH PART NO. 2150.330B009.

SCREW LOCK, LONG LOCK CORP  
4101 RED WOOD AVE  
LOS ANGELES 66, CALIF

NEXT ASSY: 2150.330C010 (82402-44175D310)

REF. FILE 1185

LIMITS ON MACHINED DIMENSIONS EXCEPT AS NOTED ANGULAR ± 1° 0' LINEAR X = ± .1 XX = ± .03 XXX = ± .010 FRACTIONAL ± 1/32  BREAK ALL SHARP EDGES	150 IN. STELLAR TELESCOPE MTG	<b>WESTERN</b> HEAVY MACHINERY DIVISION GEAR CORPORATION EVERETT, WASHINGTON	
	DRAWN <i>Handwritten</i> 8-18-69	SCREW-ALIGN, SIDE BRK-	
	CHECK <i>VVG</i> 10-17-69	R.A. & DECL. MOUNTING	
	ENGR <i>VVG</i> 10-17-69	82402-44175C309	SIZE <b>B</b> CODE IDENT NO. <b>16603</b> 2150.330B009
APPROVED <i>[Signature]</i>	SCALE 1/1	WT.	LB SHEET 1 OF 1

REV

44175 C 309