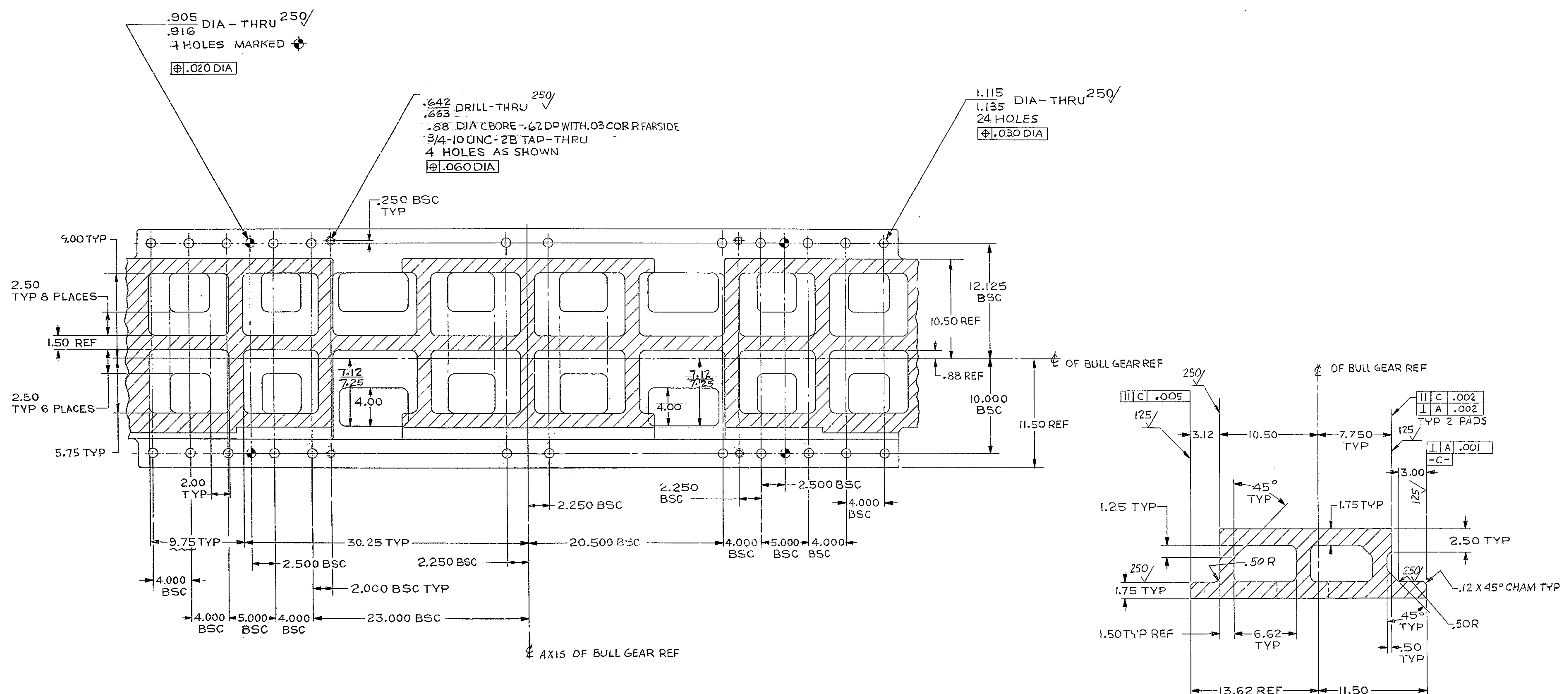


ALL INFORMATION CONTAINED IN OR DISCLOSED BY THIS DOCUMENT IS CONSIDERED CONFIDENTIAL AND PROPRIETARY BY WESTERN GEAR CORPORATION. ALL DESIGN, MANUFACTURING, USE, REPRODUCTION, AND ALL SALES RIGHTS, ARE EXPRESSLY RESERVED BY AND TO WESTERN GEAR CORPORATION AND COMMUNICATION OF THIS INFORMATION TO OTHERS IS PROHIBITED WITHOUT THE PRIOR WRITTEN CONSENT OF WESTERN GEAR CORPORATION.

ZONE		REVISIONS		DATE	APPROVED
LTR	DESCRIPTION	FOR REV'S			
---	SEE SHEET				



SECTION A-A B
5
SH 1

SECTION B-B B
1
SH 1

1134

SIZE	CODE IDENT NO.	REV
E	16603	2150.320E003 B
SCALE	1/4" WT	LB SHEET 2 of 2