

5

4

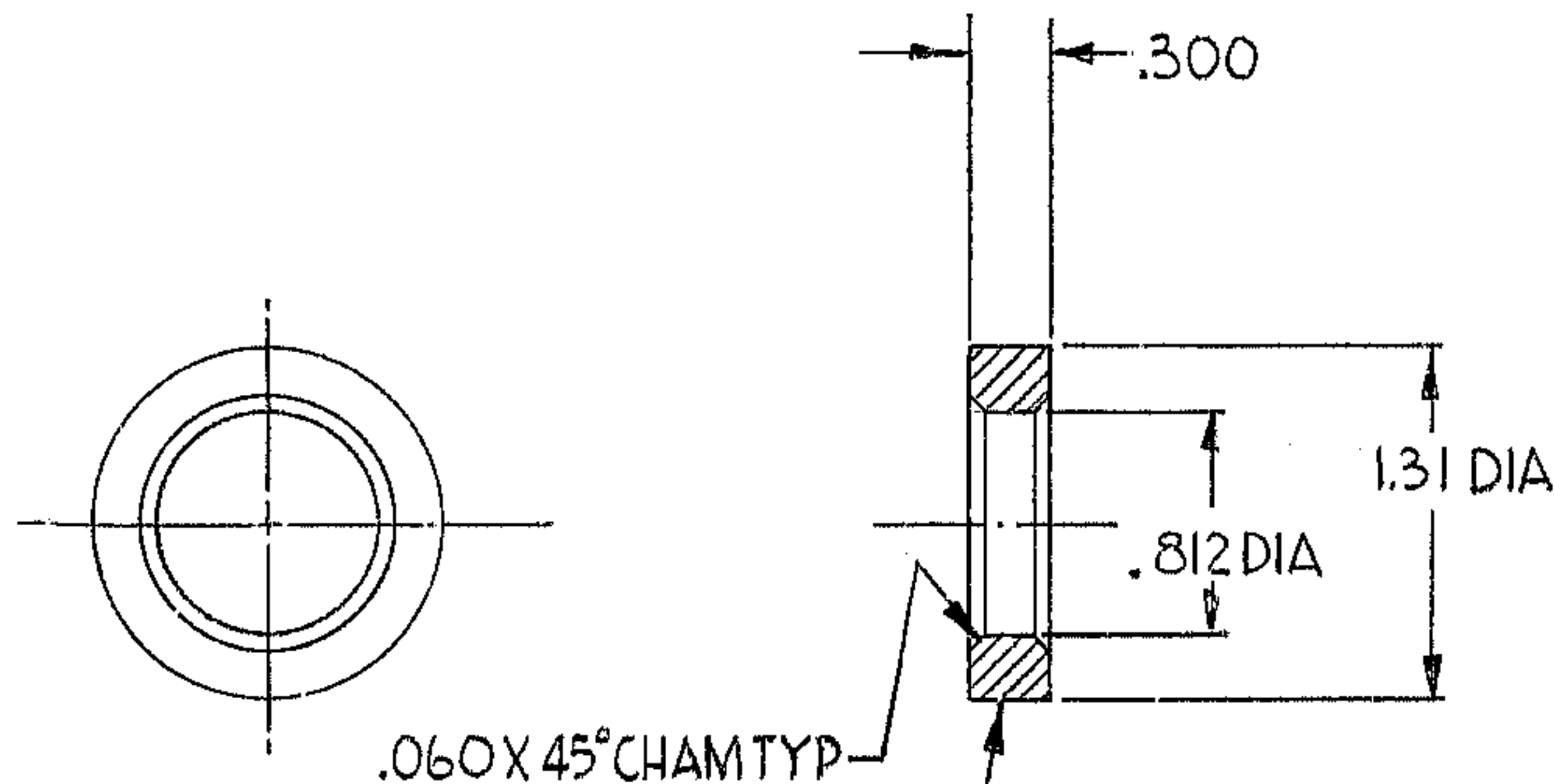
3

2

1

THIS DOCUMENT CONTAINS INFORMATION PROPRIETARY TO WESTERN GEAR CORPORATION. ALL DESIGN, MANUFACTURING, REPRODUCTION, USE, PATENT, AND SALES RIGHTS REGARDING THE SAME ARE HEREBY EXPRESSLY RESERVED BY WESTERN GEAR CORPORATION. THIS DOCUMENT IS SUBMITTED FOR REFERENCE PURPOSES ONLY AND SHALL NOT BE DISCLOSED TO ANY UNAUTHORIZED PERSON OR INCORPORATED INTO ANY OTHER PROJECT.

REVISIONS				
ZONE	LTR	DESCRIPTION	DATE	APPROVED



CHEM ETCH OR VIBRO SCRIBE
PN: 2150.320 B.008

NOTES:

1. MATERIAL: STEEL AISI 1020-1025.
2. SURFACE ROUGHNESS $125\sqrt{\text{ALL OVER}}$.
3. CADMIUM PLATE PER QQ-P-416 TYPE II CL 2.

REF. FILE 1184

LIMITS ON MACHINED DIMENSIONS EXCEPT AS NOTED ANGULAR $\pm 1^{\circ}0'$ LINEAR X = $\pm .1$ XX = $\pm .03$ XXX = $\pm .010$ FRACTIONAL $\pm 1/32$ BREAK ALL SHARP EDGES	150 IN STELLAR TELESCOPE MOUNTING		WESTERN GEAR CORPORATION		HEAVY MACHINERY DIVISION EVERETT, WASHINGTON		
	DRAWN <i>R. Tandy</i> 9-1-70		DISTANCE PIECE				
	CHECK <i>VJG.</i>		SIZE B	CODE IDENT NO. 16603	2150.320 B008		REV -
	ENGR		82402-44175C 208		SCALE 1/1	WT. LB	SHEET 1 OF 1
APPROVED <i>John W. Short</i>		REV \triangle		44175C 208			