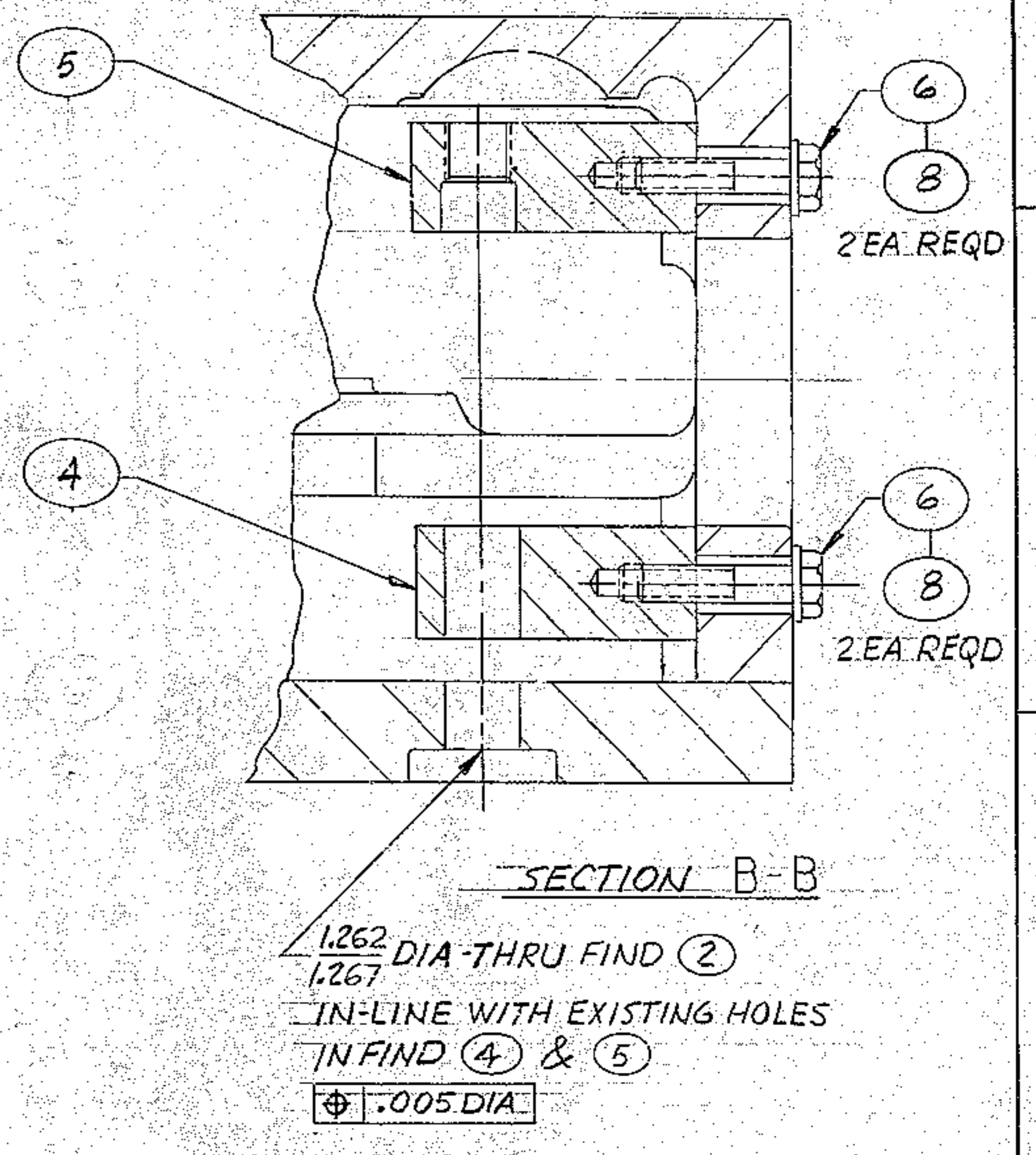
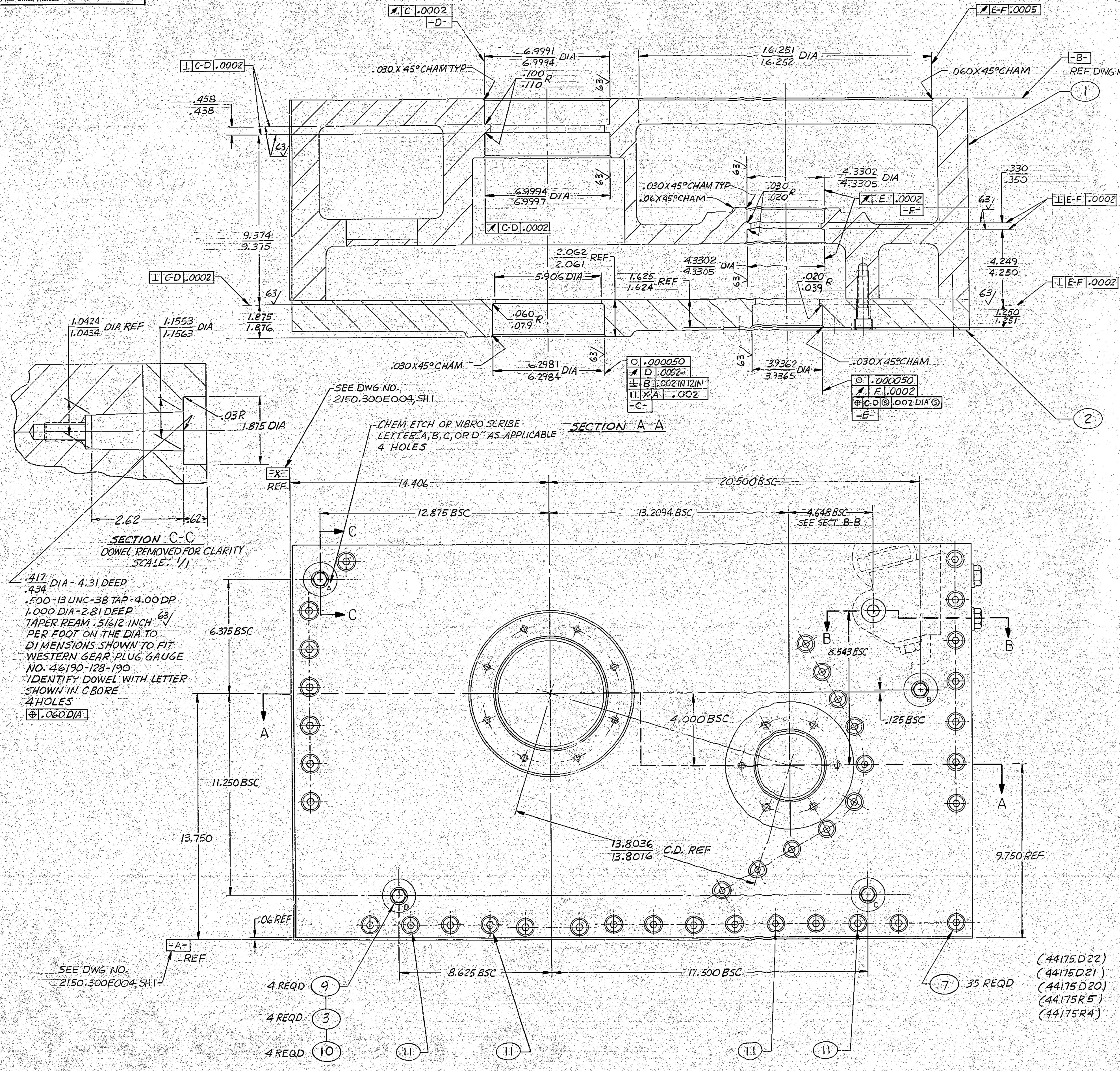


THIS DOCUMENT CONTAINS INFORMATION PROPRIETARY TO WESTERN GEAR CORPORATION. ALL DESIGN, MANUFACTURING, REPRODUCTION, PATENT, AND SALES RIGHTS REGARDING THE SAME ARE HEREBY EXPRESSLY RESERVED BY WESTERN GEAR CORPORATION. THIS DOCUMENT IS SUBMITTED FOR REFERENCE PURPOSES ONLY AND SHALL NOT BE DISCLOSED TO ANY UNAUTHORIZED PERSON OR INCORPORATED INTO ANY OTHER PROJECT.

REVISIONS				
ZONE	LTR	DESCRIPTION	DATE	APPROVED
E-2	A	1.262/1.267 WAS 1.250/1.253	7-1-70	[Signature]
B-2	B	FIND 3 WAS 182 / FIND 10 ADDED	8-24-70	[Signature]
E-2	C	FIND 10.1: GTY 35 WAS 37, 2.50LG WAS 2.38LG	7-20	[Signature]
		ADDED FIND NO. 11		



NOTES: UNLESS OTHERWISE SPECIFIED
 1. ALL DIMENSIONS ARE IN INCHES.
 2. INTERPRET DIMENSIONING & TOLERANCING PER USA STANDARD USAS I-Y14.5-1966.
 3. SURFACE ROUGHNESS .125/ ALL OVER PER USA STANDARD USAS-B46.1-1962.

NEXT ASSY: 2150.300E002 (82402-44175R2)

L	DESCRIPTION	QTY	MATERIAL	CODE IDENT
11	LPI2U101J31 SCR, CAP - SOC HD	4	.625-11UNC-3A X 1.944 LG LONG-LOK CORP., LA CALIF	03038
10	AN960-816 WASHER FLAT	4	.500-13UNC-3A X .75 LG LONG-LOK CORP., LA CALIF	03038
9	LPI2W083H76 SCREW - HEX HD	4	.125-18UNC-3A X 2.75 LG LONG-LOK CORP., LA CALIF	03038
8	LPI2W108H44 SCREW - HEX HD	4	.125-18UNC-3A X 2.75 LG LONG-LOK CORP., LA CALIF	03038
7	LPI2U101J40 SCR, CAP - SOC HD	35	.625-11UNC-3A X 2.50LG LONG-LOK CORP., LA CALIF	03038
6	AN960-1016 WASHER - FLAT	4		
5	2150.300C022 GUIDE - THREADED	1	PER PRINT	16603
4	2150.300C021 GUIDE	1	PER PRINT	16603
3	2150.300C020 TAPER PIN	4	PER PRINT	16603
2	2150.300E005 COVER	1	PER PRINT	16603
1	2150.300E004 HOUSING	1	PER PRINT	16603

LIST OF MATERIAL (LM)

LIMITS ON MACHINED DIMENSIONS EXCEPT AS NOTED
 ANGULAR = ± 1°
 LINEAR = ± .01
 X = .1 XXX = .010
 XX = .03 FRACTIONAL = 1/32
 BREAK ALL SHARP EDGES

150 IN. STELLAR TELESCOPE MOUNTING

WESTERN GEAR CORPORATION
 HEAVY MACHINERY DIVISION
 EVERETT, WASHINGTON

HOUSING LINE BORE ASSY - DRIVE GEARBOX

SEE ABOVE (LM)

82402-44175R3

SIZE CODE IDENT NO. REV
 E 16603 2150.300E003 C

APPROVED [Signature]

SCALE 1/2 WT LB SHEET 1 OF 1

44175R3