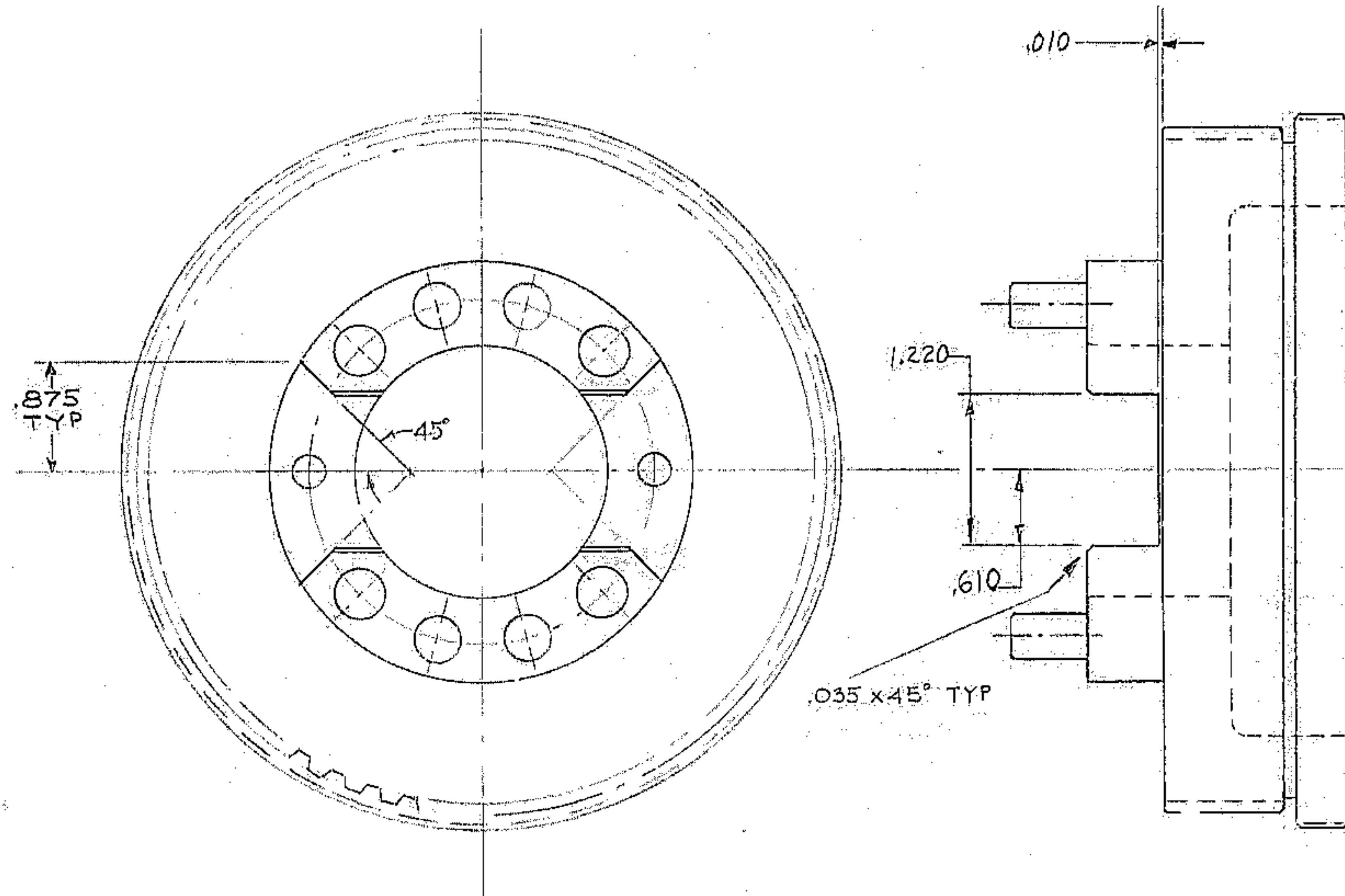


NOTES: UNLESS OTHERWISE NOTED

1. REMOVE ALL BURRS AND SHARP EDGES .02 R MAX
2. MACHINED SURFACE ROUGHNESS $\sqrt{125}$
3. MODIFY SPLINED HUB OF BENDIX MULTIPLE DISC BRAKE #MSB-25-T-90

REVISIONS						
ZONE	LTR	DESCRIPTION	ECR	DATE	BY	APVD



QTY REQD	PART OR IDENTIFYING NO.	DESCRIPTION	MATERIAL / SPECIFICATION	ITEM NO.
PARTS LIST				
<i>4M TELESCOPE</i>				
TOLERANCES UNLESS OTHERWISE NOTED DECIMALS .XX ± .03 FRACTIONS ± — ANGULAR ± 0° 30'			KITT PEAK NATIONAL OBSERVATORY <small>OPERATED BY THE ASSOCIATION OF UNIVERSITIES FOR RESEARCH IN ASTRONOMY, INC. UNDER CONTRACT WITH NATIONAL SCIENCE FOUNDATION</small>	
NEXT ASSEMBLY	NAME DEC. BRAKE HUB MODIFICATION		REF. FILE 1181	
SCALE 1/1	DESIGNED BY <i>APC</i>	DATE 5-4-81	APPROVED BY <i>R.P.</i>	DATE 5-4-81
PRINT ISSUED	DRAWN BY L. FRIKSON	DATE 5-4-81	APPROVED BY	DATE
	CHECKED BY	DATE	APPROVED BY	DATE
DWG NO. 2150.300C119			REV.	
RELEASE DATE 1-27-86			PEB 1-27-86	