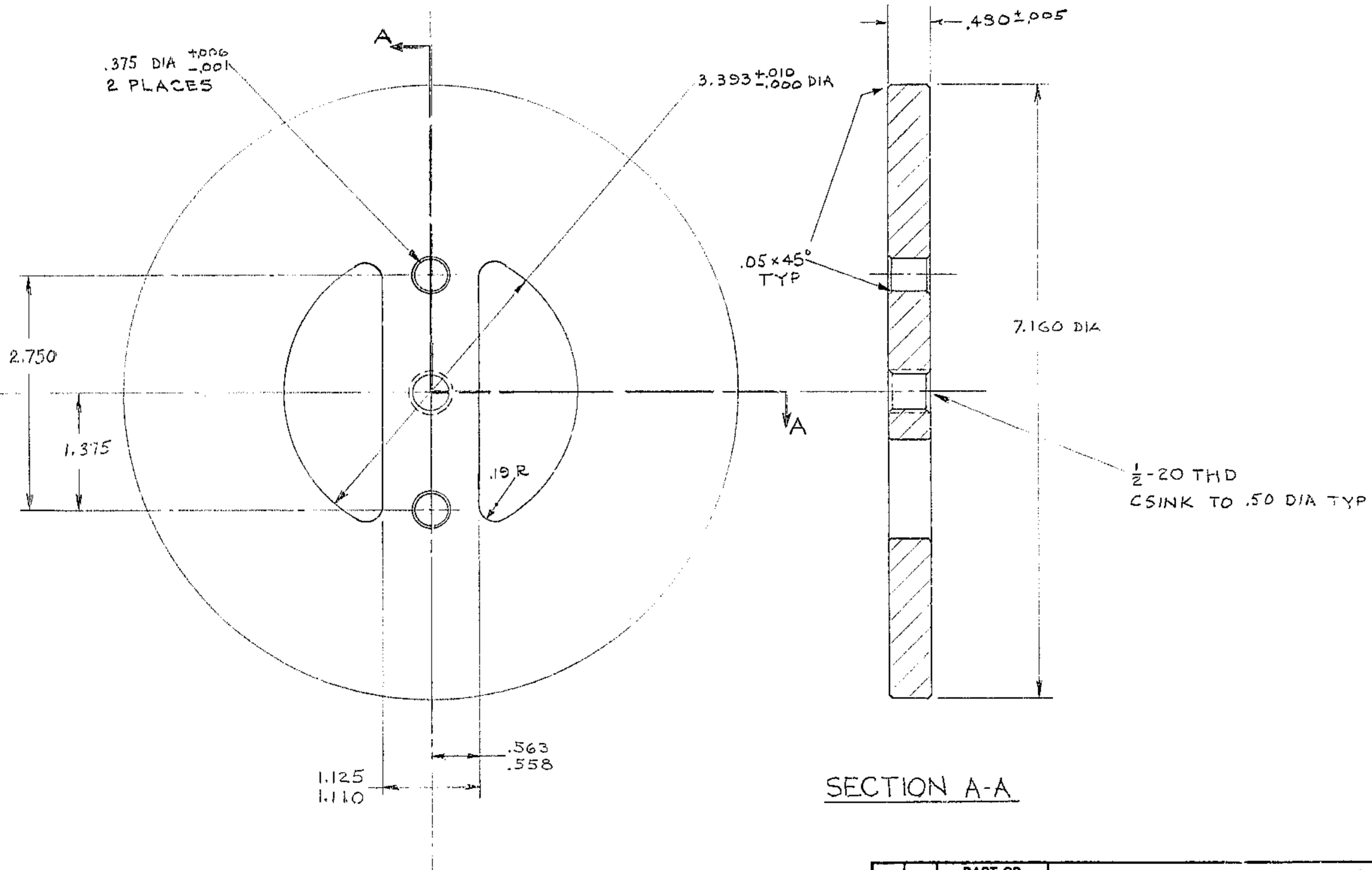


REVISIONS						
ZONE	LTR	DESCRIPTION	ECR	DATE	BY	APVD

NOTES: UNLESS OTHERWISE NOTED

1. REMOVE ALL BURRS AND SHARP EDGES $.02$ R MAX
2. MACHINED SURFACE ROUGHNESS 125
3. MATERIAL - 1018 STEEL
4. ZINC PLATE



SECTION A-A

QTY REQD	PART OR IDENTIFYING NO.	DESCRIPTION	MATERIAL / SPECIFICATION	ITEM NO.
PARTS LIST				
<i>4M TELESCOPE</i>				
TOLERANCES UNLESS OTHERWISE NOTED DECIMALS .XX ± .03 .XXX ± .010 FRACTIONS ± — ANGULAR ± 0° 30'			KITT PEAK NATIONAL OBSERVATORY <small>OPERATED BY THE ASSOCIATION OF UNIVERSITIES FOR RESEARCH IN ASTRONOMY, INC. UNDER CONTRACT WITH NATIONAL SCIENCE FOUNDATION</small>	
NEXT ASSEMBLY	NAME	REF FILE		
	PLATE-SPRING DEC. BRAKE	1181		
SCALE 1/1	DESIGNED BY <i>NJE</i>	DATE 5-1-81	APPROVED BY <i>NJE</i>	DATE 5-1-81
PRINT ISSUED	DRAWN BY H. ERIKSON	DATE 5-1-81	APPROVED BY	DATE
	CHECKED BY	DATE	APPROVED BY	DATE
			DWG NO. 2150.300C117	REV
			RELEASE DATE 1-27-86	