

4

3

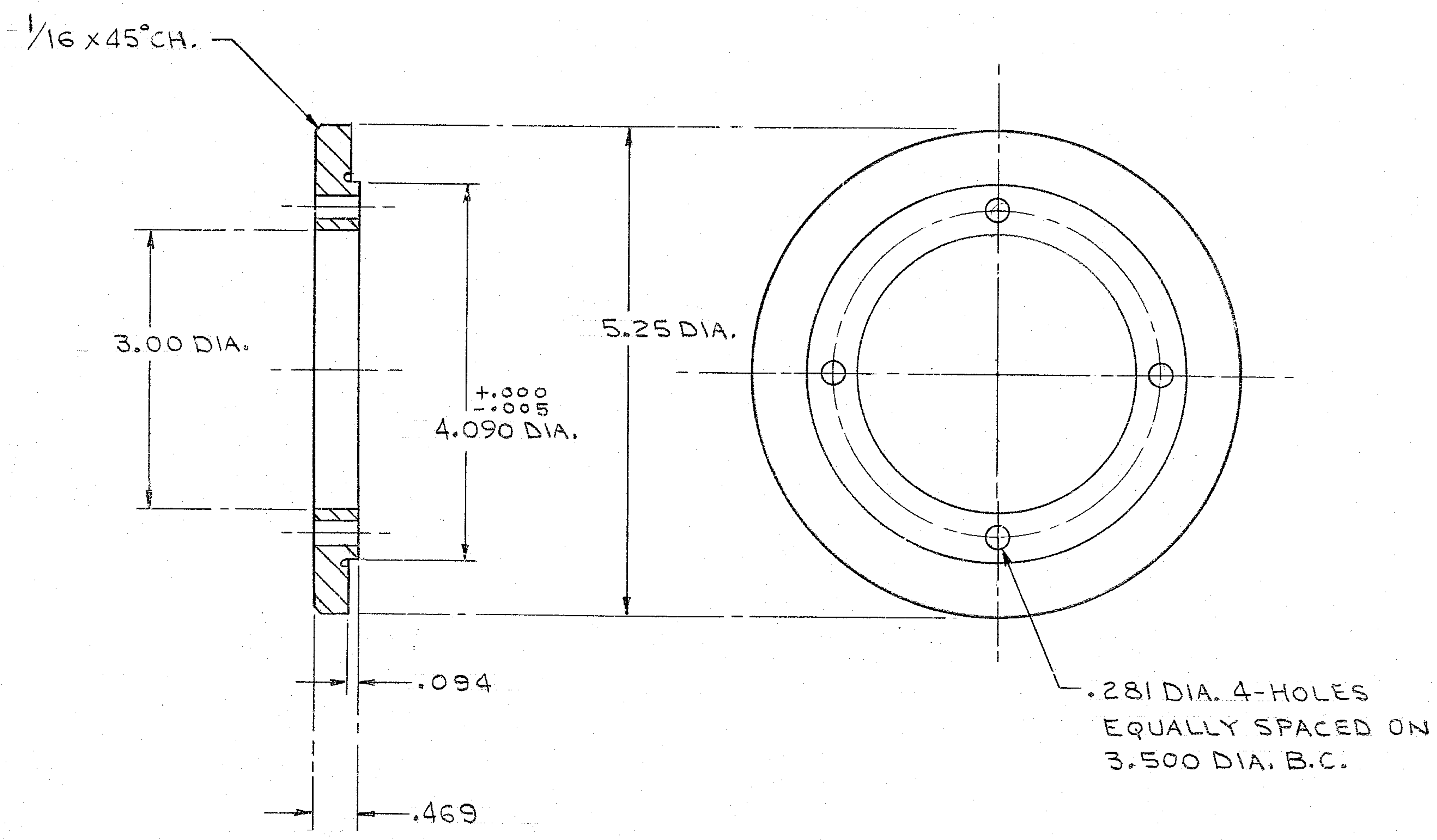
2

1

**NOTES: UNLESS OTHERWISE NOTED**

- 1. REMOVE ALL BURRS AND SHARP EDGES  $\sqrt[3]{32}$ R MAX
- 2. MACHINED SURFACE ROUGHNESS  $\sqrt[3]{125}$

REVISIONS						
ZONE	LTR	DESCRIPTION	ECR	DATE	BY	APVD
1A	A	CHG'D. RFN NO. FROM 1145 TO 1146	1863	5-17-77	D.L.B.	J.C.E.



.281 DIA. 4-HOLES  
EQUALLY SPACED ON  
3.500 DIA. B.C.

MATL. ALUM. 2024-T3  
1-REQD.

QTY REQD	PART OR IDENTIFYING NO.	DESCRIPTION	MATERIAL / SPECIFICATION	ITEM NO.
<b>PARTS LIST</b>				
TOLERANCES UNLESS OTHERWISE NOTED DECIMALS    FRACTIONS    ANGULAR .XX ± .03            ± —            ± 0° 30'		<b>KITT PEAK NATIONAL OBSERVATORY</b> <small>OPERATED BY THE ASSOCIATION OF UNIVERSITIES FOR RESEARCH IN ASTRONOMY, INC. UNDER CONTRACT WITH NATIONAL SCIENCE FOUNDATION</small>		
NEXT ASSEMBLY 2150.300 - E102	NAME RETAINER DAMPER ASSY, R.A. DRIVE		REF FILE 1182	
SCALE FULL PRINT ISSUED	DESIGNED BY R. L. ESH	DATE 9/6/73	APPROVED BY W. A. D.	DATE 10-19-73
DWG NO. 2150.300-C114		REV A		RELEASE DATE 10-22-73

4

3

2

1

FOR 10-22-73