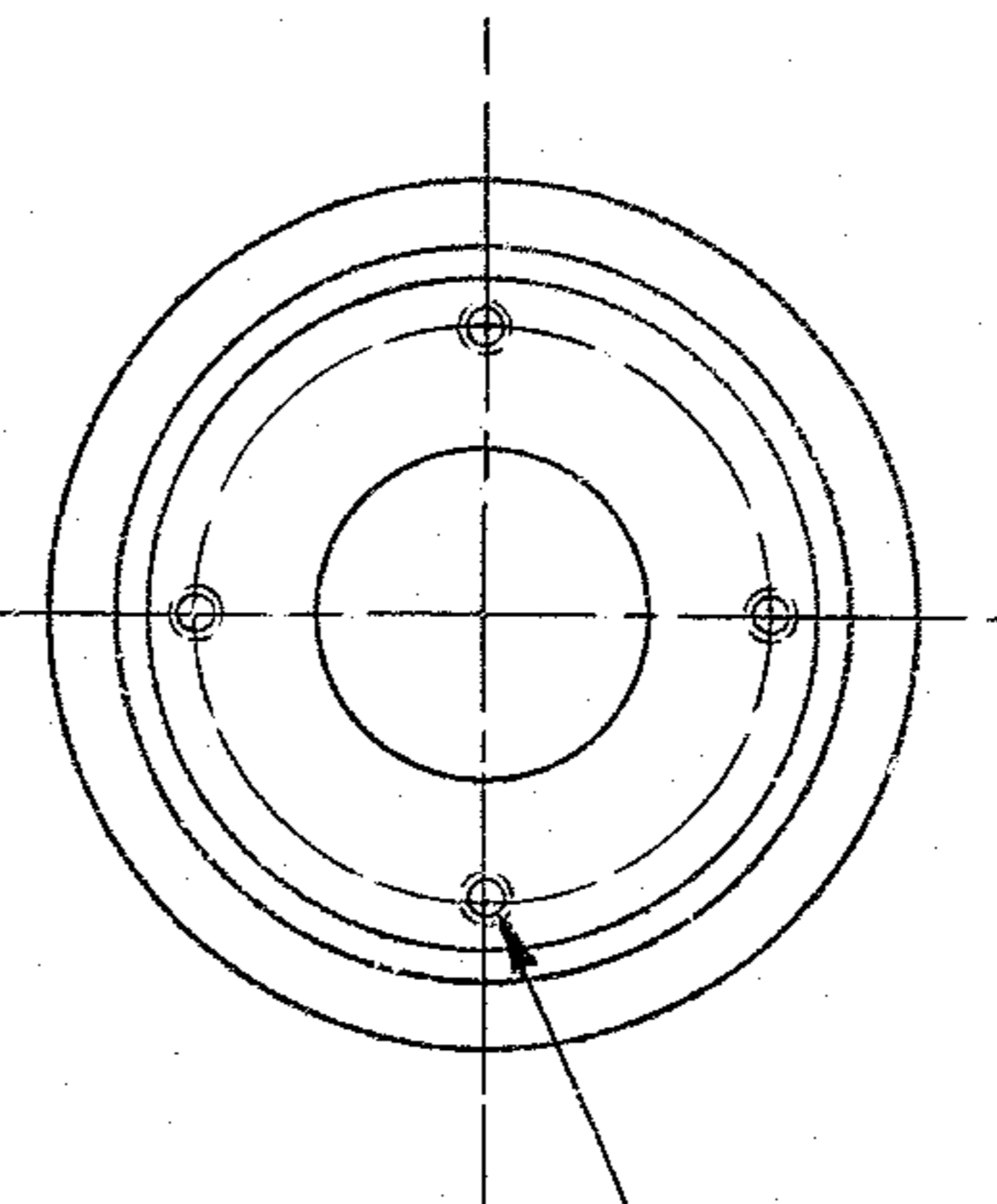
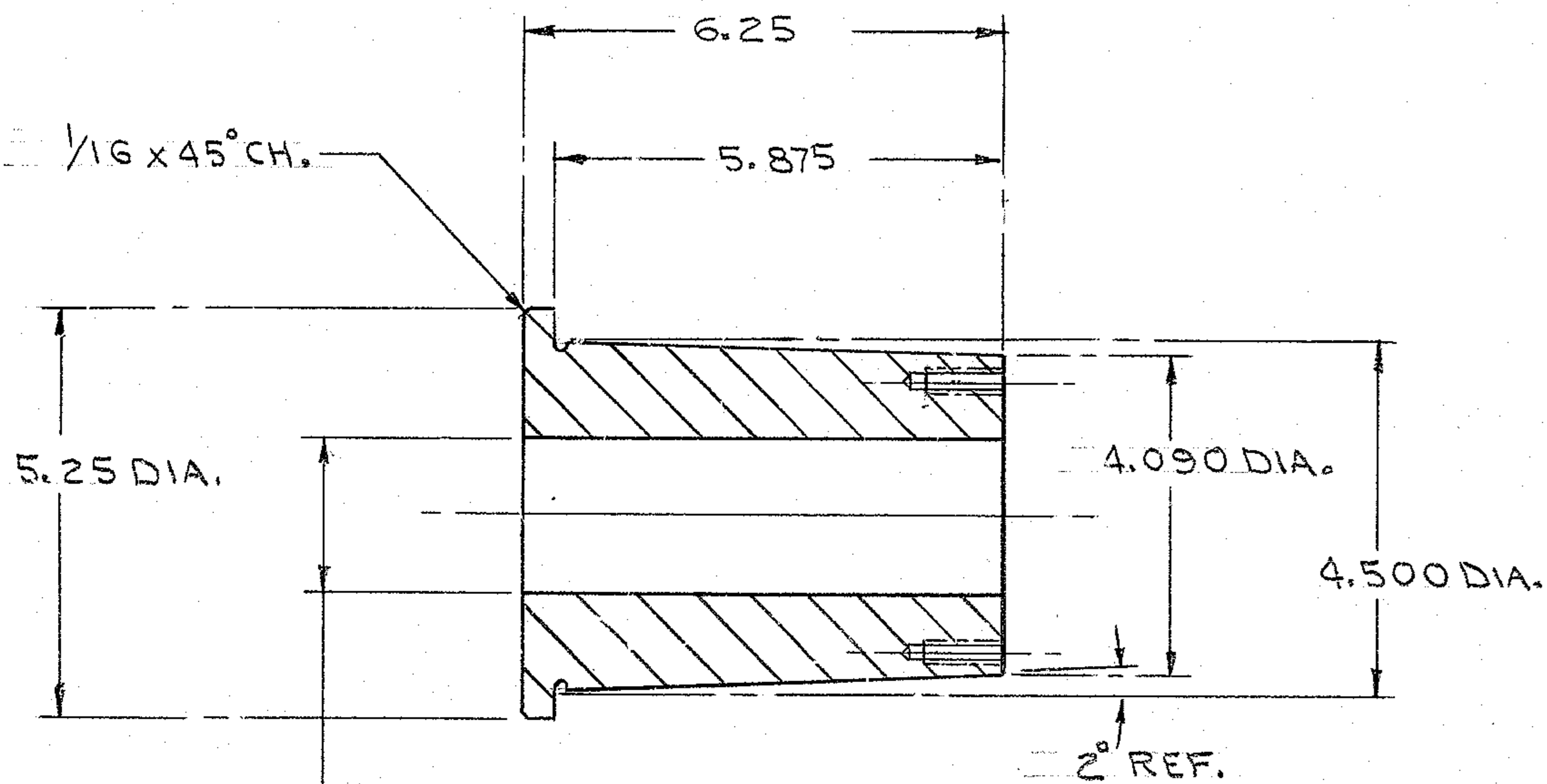


NOTES: UNLESS OTHERWISE NOTED

1. REMOVE ALL BURRS AND SHARP EDGES $\frac{1}{32}R$ MAX
2. MACHINED SURFACE ROUGHNESS $\sqrt{125}$

REVISIONS						
ZONE	LTR	DESCRIPTION	ECR	DATE	BY	APVD
1A	A	CHG'D. RFN No. FROM 114E TO 114G	1863	5-17-77	DLB	7LB



TAP 1/4-20 x 1.00 DEEP
4-HOLES EQUALLY SPACED
ON 3.500 DIA. B.C.

1.969 DIA.
SHRINK FIT TO SHAFT
DWG. # 2150.300-C11

MAT'L. ALUM. 2024-T3
1-REQD.

QTY REQD	PART OR IDENTIFYING NO.	DESCRIPTION	MATERIAL / SPECIFICATION	ITEM NO.
PARTS LIST				
TOLERANCES UNLESS OTHERWISE NOTED DECIMALS .XX ± .03 .XXX ± .010			KITT PEAK NATIONAL OBSERVATORY <small>OPERATED BY THE ASSOCIATION OF UNIVERSITIES FOR RESEARCH IN ASTRONOMY, INC. UNDER CONTRACT WITH NATIONAL SCIENCE FOUNDATION</small>	
NEXT ASSEMBLY 2150.300 -E102	NAME HUB DAMPER ASSY. R.A. DRIVE	REF FILE 1182		
SCALE 1/2	DESIGNED BY JB Henry	DATE 3-17-73	APPROVED BY a. d. a.	DATE 10-19-73
PRINT ISSUED	DRAWN BY JBH	DATE 3-17-73	APPROVED BY	DATE
	CHECKED BY	DATE	APPROVED BY	DATE
DWG NO. 2150.300-C112			REV A	RELEASE DATE 10-22-73