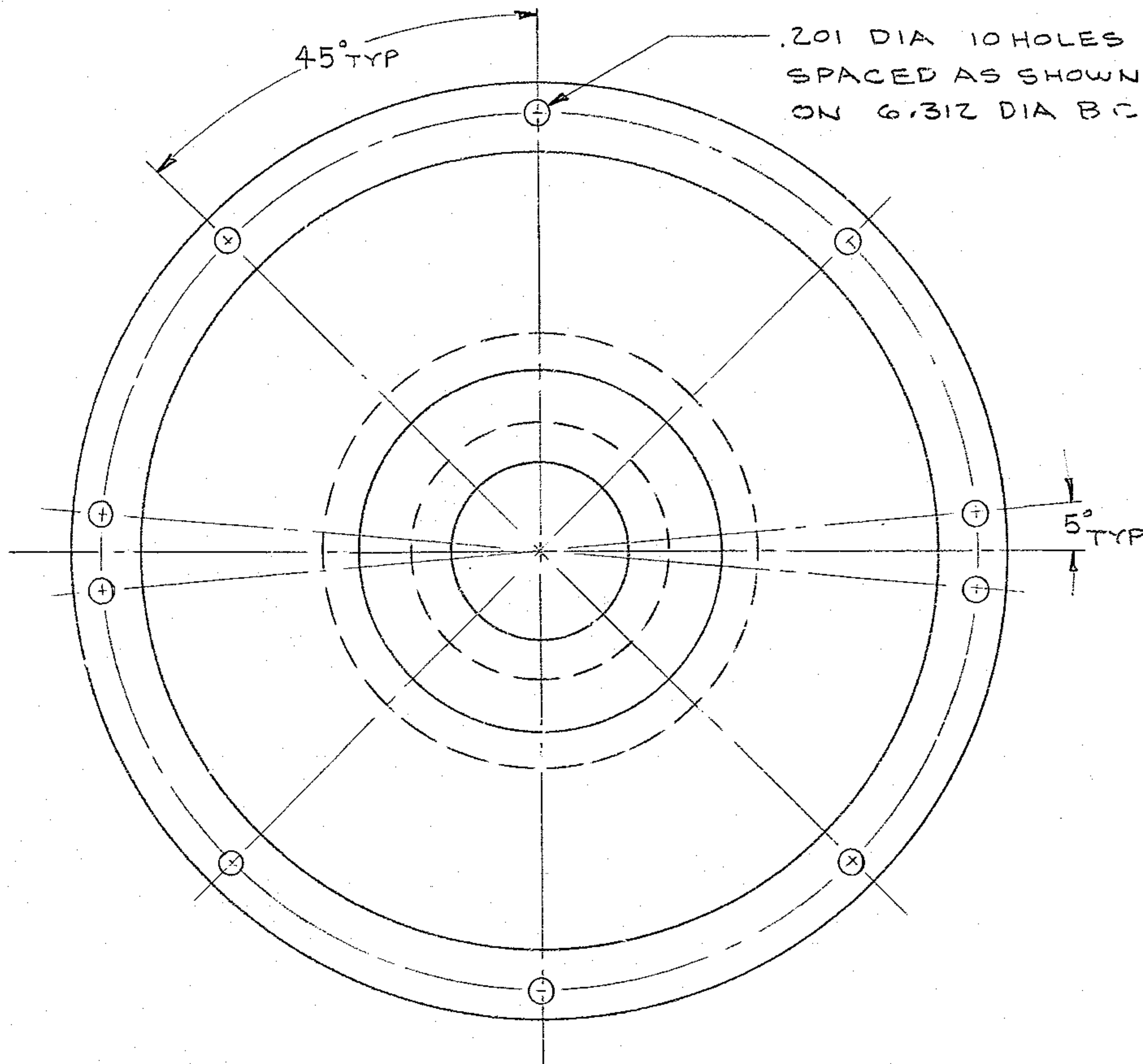
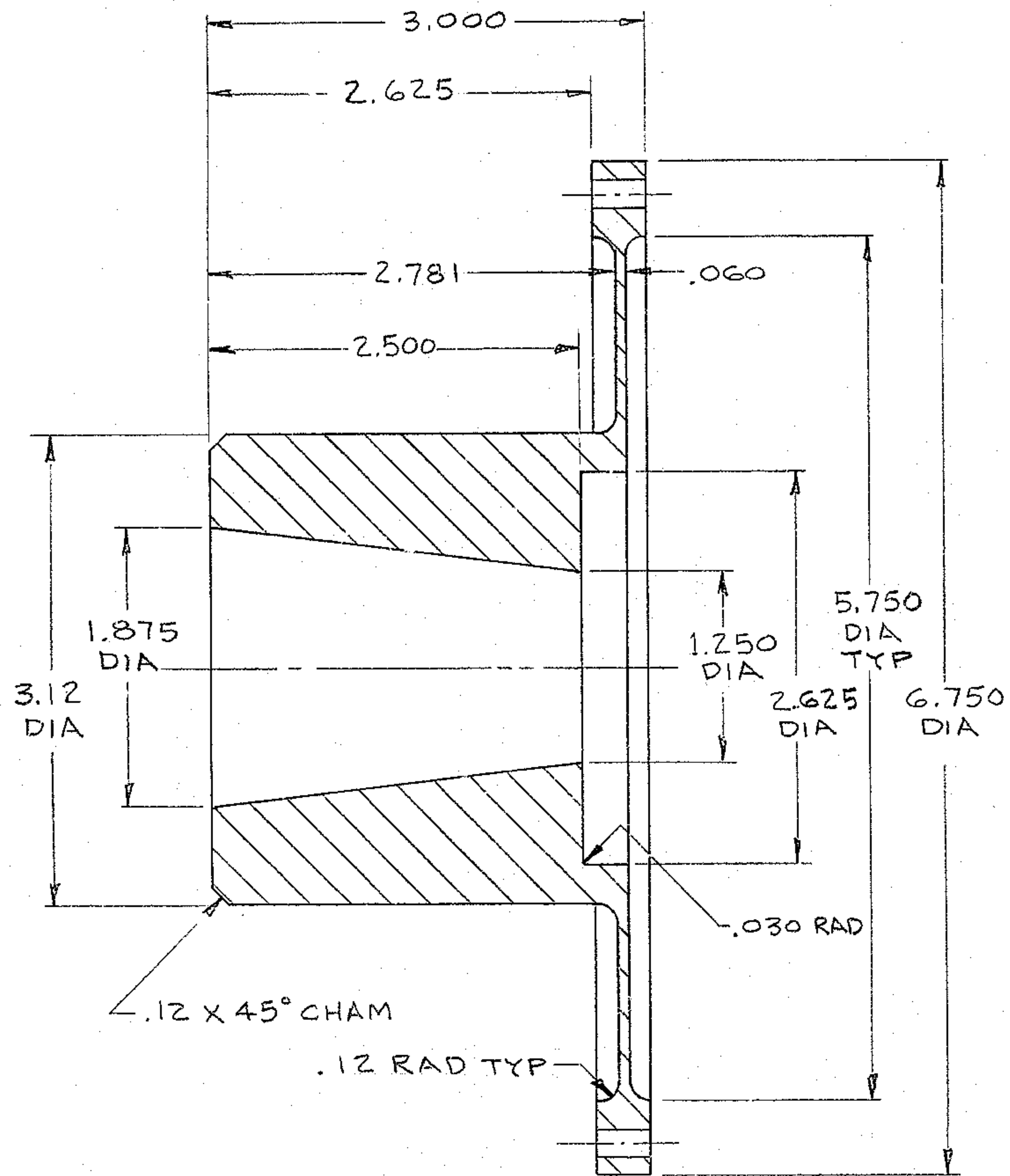


NOTES: UNLESS OTHERWISE NOTED

1. REMOVE ALL BURRS AND SHARP EDGES $\sqrt[1]{32}$ R MAX
2. MACHINED SURFACE ROUGHNESS $\sqrt[125]$

REVISIONS						
ZONE	LTR	DESCRIPTION	ECR	DATE	BY	APVD
1A	A	CHGD, RFN NO. FROM 1145 TO 1146	1863	5-17-77	D.L.B.	7LB



1		6 3/4 DIA X 3.00 LG	STEEL	1
QTY REQD	PART OR IDENTIFYING NO.	DESCRIPTION	MATERIAL / SPECIFICATION	ITEM NO.
PARTS LIST				
TOLERANCES UNLESS OTHERWISE NOTED DECIMALS .XX ± .03 FRACTIONS ± 1/64 ANGULAR ± 0° 30'			KITT PEAK NATIONAL OBSERVATORY <small>OPERATED BY THE ASSOCIATION OF UNIVERSITIES FOR RESEARCH IN ASTRONOMY, INC. UNDER CONTRACT WITH NATIONAL SCIENCE FOUNDATION</small>	
NEXT ASSEMBLY 2150.300 -E102		NAME COUPLING - ELECTRONIC DRIVE DAMPER ASSY. R.A. DRIVE		REF FILE 1182
SCALE FULL	DESIGNED BY J.B. Hays	DATE 3-19-73	APPROVED BY A.A.A.	DATE 3-22-73
PRINT ISSUED	DRAWN BY D.B. H.	DATE 3-22-73	APPROVED BY	DATE
	CHECKED BY	DATE	APPROVED BY	DATE
			DWG NO. 2150.300-C110	REV A
			RELEASE DATE 10-22-73	