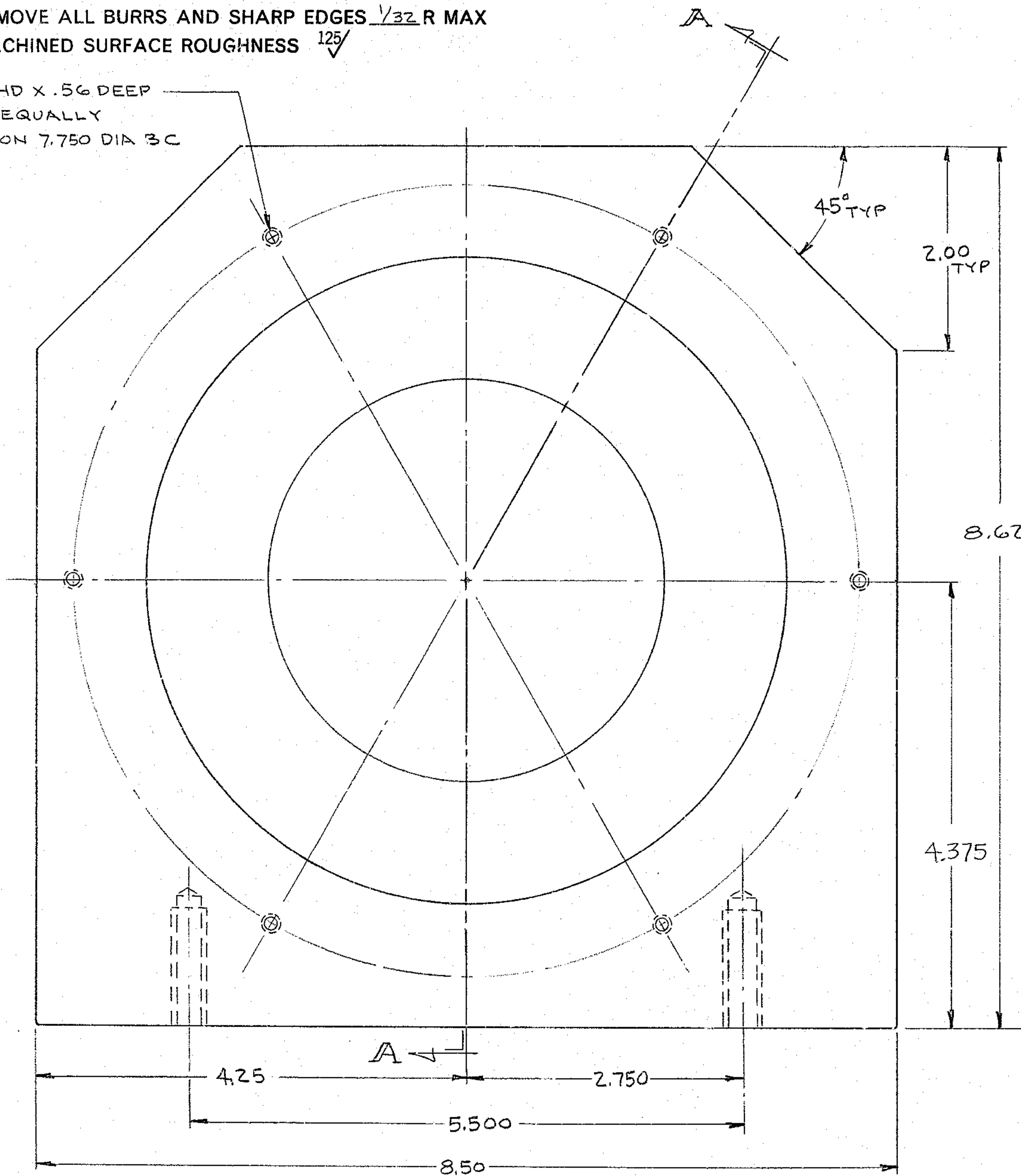


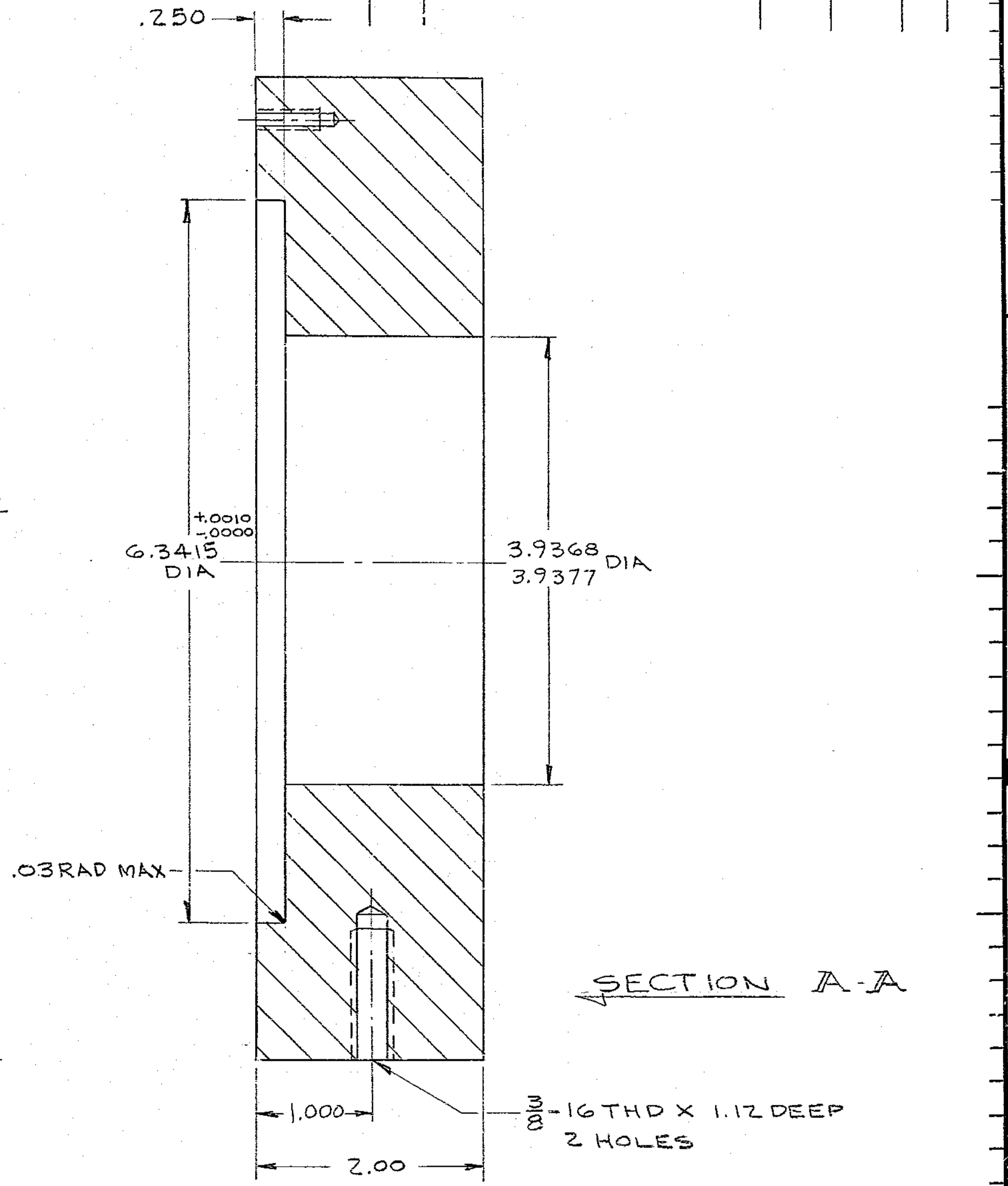
NOTES: UNLESS OTHERWISE NOTED

1. REMOVE ALL BURRS AND SHARP EDGES $\frac{1}{32}$ R MAX
2. MACHINED SURFACE ROUGHNESS $\frac{125}{\sqrt{\quad}}$

#10-24 THD X .56 DEEP
6 HOLES EQUALLY
SPACED ON 7.750 DIA 3C



REVISIONS						
ZONE	LTR	DESCRIPTION	ECR	DATE	BY	APVD
1A	A	CHG'D. RFN NO. FROM 1145 TO 1146	1863	5-17-77	D.L.B.	723



1	2 X 8.50 X 8.62 ALUM	1		
QTY REQD	PART OR IDENTIFYING NO.	DESCRIPTION	MATERIAL / SPECIFICATION	ITEM NO.
PARTS LIST				
TOLERANCES UNLESS OTHERWISE NOTED: DECIMALS .XX ± .03 FRACTIONS ± 1/64 ANGULAR ± 0° 30'			KITT PEAK NATIONAL OBSERVATORY <small>OPERATED BY THE ASSOCIATION OF UNIVERSITIES FOR RESEARCH IN ASTRONOMY, INC. UNDER CONTRACT WITH NATIONAL SCIENCE FOUNDATION</small>	
NEXT ASSEMBLY 2150.300 -E102	NAME BEARING BLOCK - RATE GENERATOR DAMPER ASSY. R.A. DRIVE	REF FILE 1182		
SCALE FULL	DESIGNED BY J.B. Jones	DATE 3-19-73	APPROVED BY A. A. A.	DATE 10-19-73
PRINT ISSUED	DRAWN BY J.B. Jones	DATE 3-21-73	APPROVED BY	DATE
	CHECKED BY	DATE	APPROVED BY	DATE
			DWG NO. 2150.300-C109	REV A
			RELEASE DATE 10-22-73	