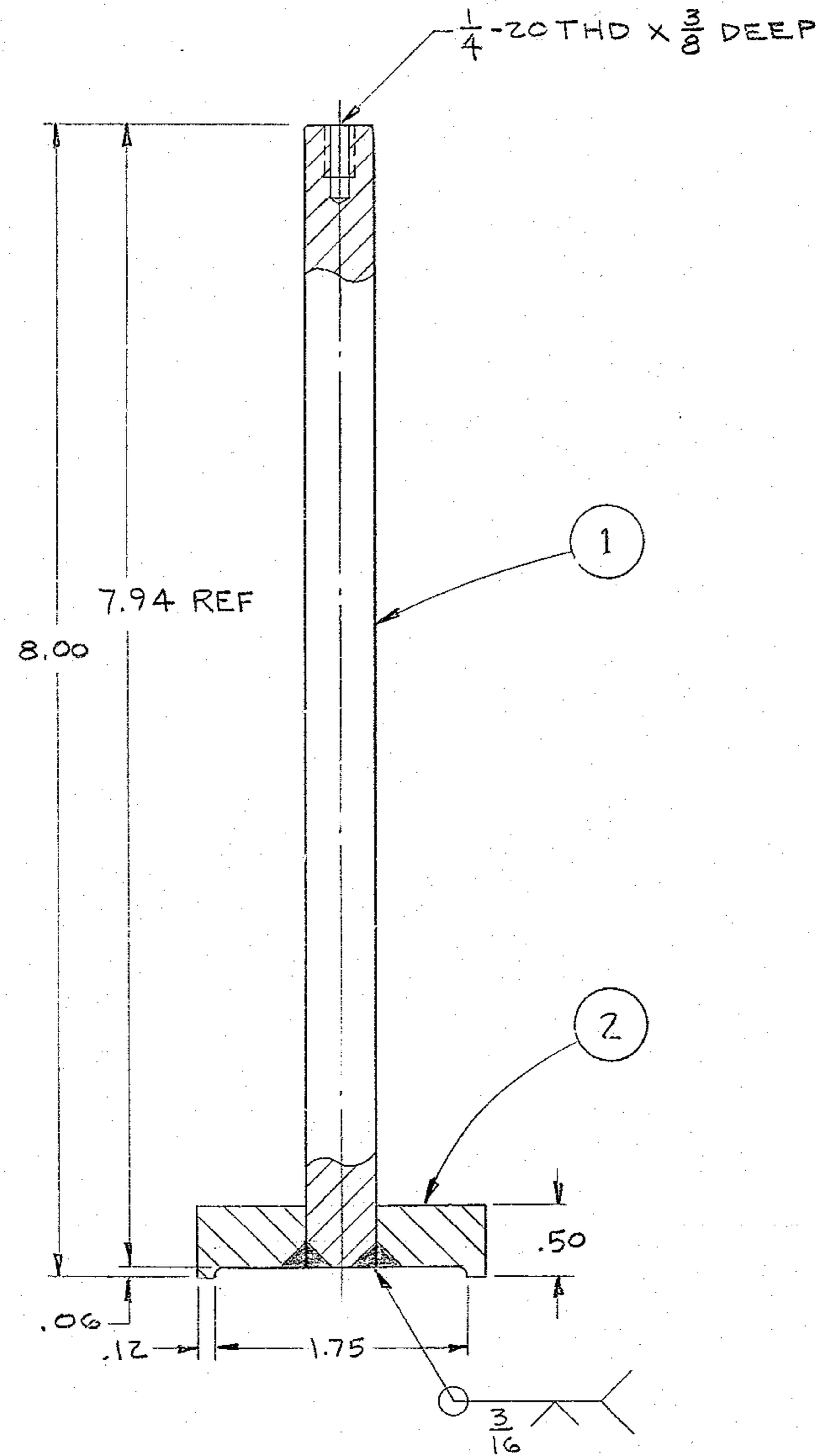
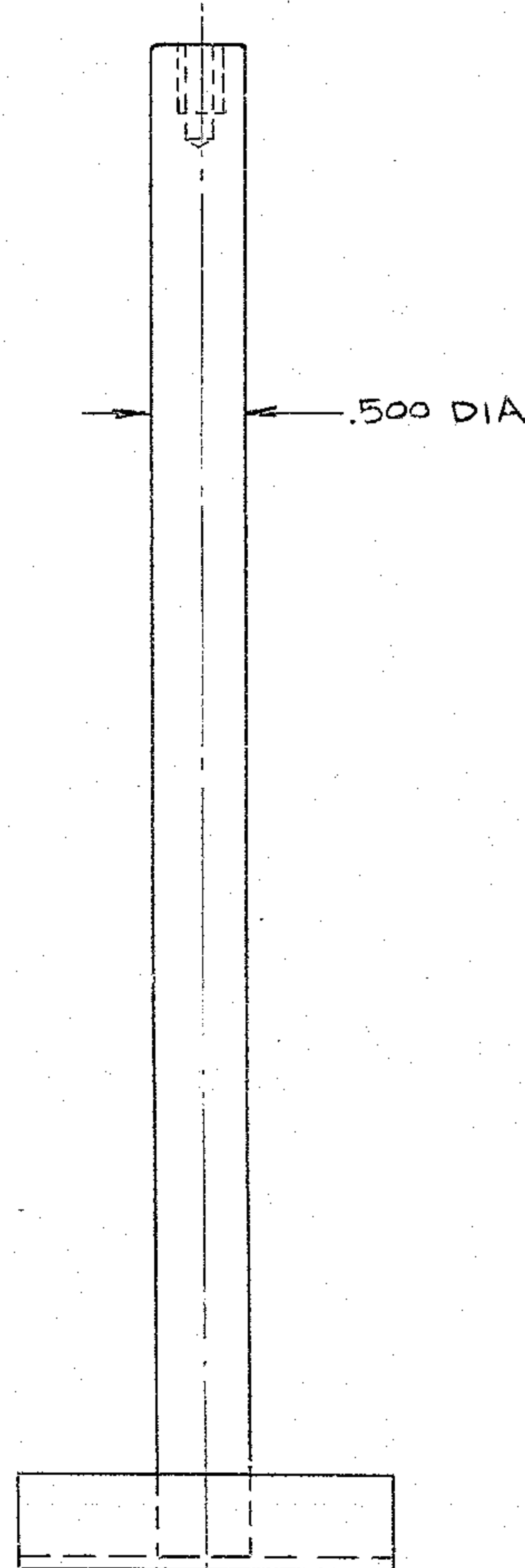
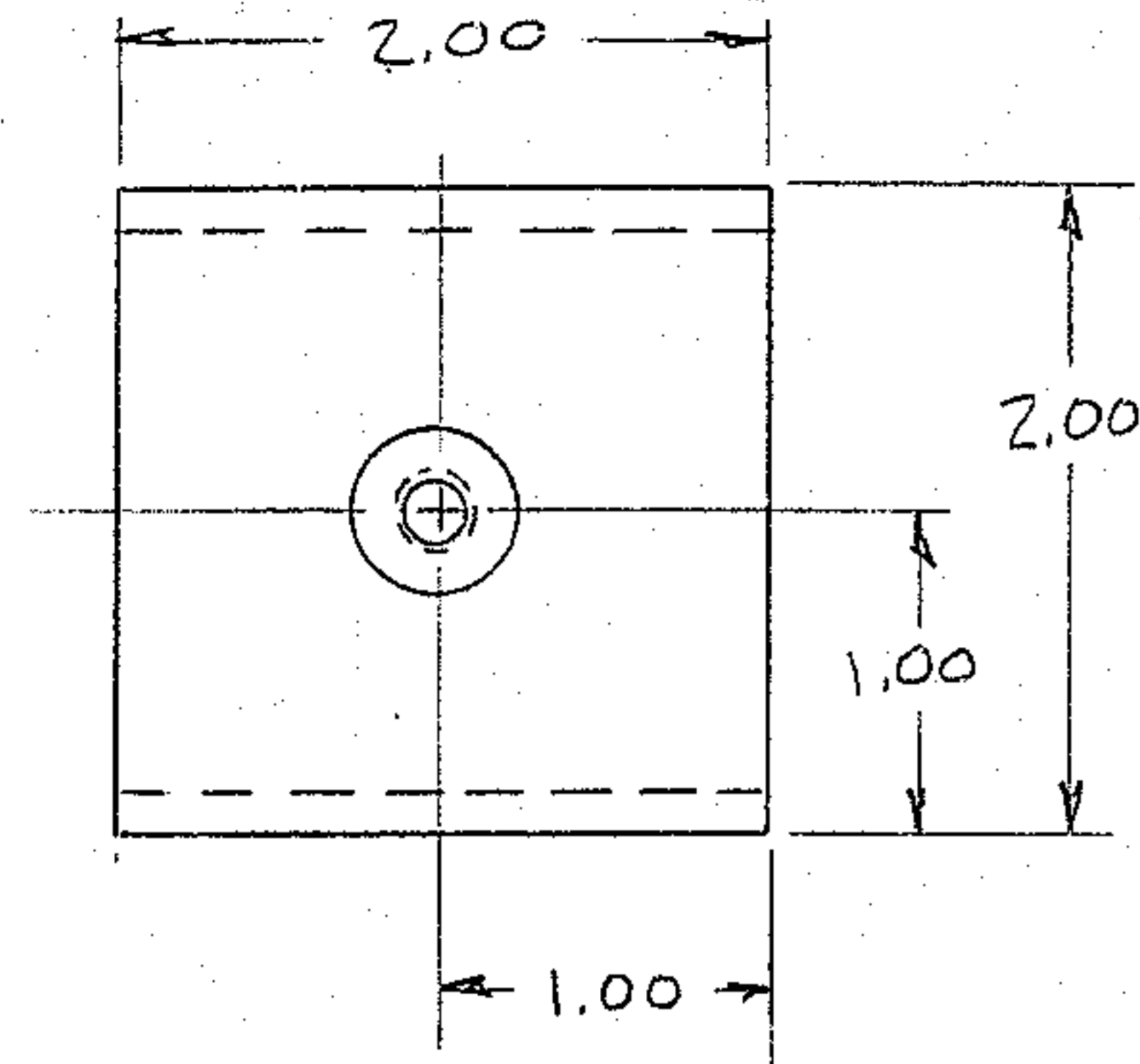


**NOTES: UNLESS OTHERWISE NOTED**

1. REMOVE ALL BURRS AND SHARP EDGES  $\frac{1}{32}$  R MAX
2. MACHINED SURFACE ROUGHNESS  $\sqrt{125}$



REVISIONS						
ZONE	LTR	DESCRIPTION	ECR	DATE	BY	APVD
1A	A	CHG'D RFN NO. FROM 1145 TO 1146	1863	5-17-77	D.L.B.	72B

QTY REQD	PART OR IDENTIFYING NO.	DESCRIPTION	MATERIAL / SPECIFICATION	ITEM NO.
2		.50 X 2.00 X 2.00	STL	2
2		.500 DIA ROD X 7.94 LG	STL	1

PARTS LIST					
TOLERANCES UNLESS OTHERWISE NOTED		<b>KITT PEAK NATIONAL OBSERVATORY</b> <small>OPERATED BY THE ASSOCIATION OF UNIVERSITIES FOR RESEARCH IN ASTRONOMY, INC. UNDER CONTRACT WITH NATIONAL SCIENCE FOUNDATION</small>			
DECIMALS	FRACTIONS				ANGULAR
.XX ± .03	± 1/64				± 0° 30'
NEXT ASSEMBLY	NAME	REF FILE	1182		
2150.300	GUIDE ROD				
-E102	DAMPER ASSY. R.A. DRIVE				
SCALE FULL	DESIGNED BY	DATE	APPROVED BY	DATE	
PRINT ISSUED	DRAWN BY	DATE	APPROVED BY	DATE	
	CHECKED BY	DATE	APPROVED BY	DATE	
			DWG NO.	REV	
			2150.300-C107	A	
			RELEASE DATE	10-22-73	