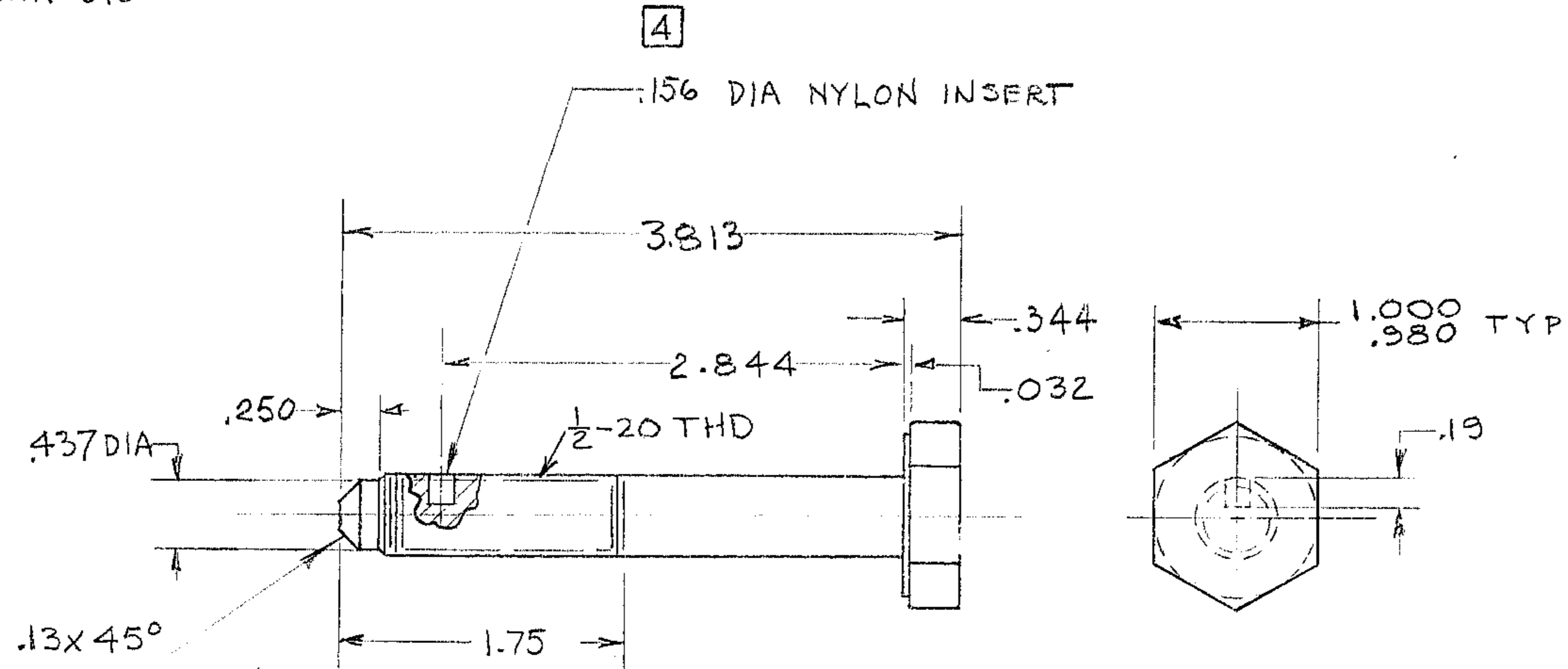


NOTES: UNLESS OTHERWISE NOTED

1. REMOVE ALL BURRS AND SHARP EDGES $.02$ R MAX
2. MACHINED SURFACE ROUGHNESS $125\sqrt{\text{V}}$
3. MATERIAL - 203 EZ STN STL
4. SECURE WITH EASTMAN 910

REVISIONS				
LTR	DESCRIPTION	E.C.R	DATE	BY/APVD



TOLERANCES UNLESS OTHERWISE NOTED DECIMALS FRACTIONS ANGULAR .XX ± .03 ± — ± 0° 30'			KITT PEAK NATIONAL OBSERVATORY <small>OPERATED BY THE ASSOCIATION OF UNIVERSITIES FOR RESEARCH IN ASTRONOMY, INC. UNDER CONTRACT WITH NATIONAL SCIENCE FOUNDATION</small>		
NEXT ASSEMBLY		NAME		REF FILE	
		4M TELESCOPE SCREW-SPRING PLATE		1181	
SCALE 1/1		DESIGNED BY	DATE	APPROVED BY	DATE
PRINT ISSUED		DRAWN BY	DATE	APPROVED BY	DATE
		CHECKED BY	DATE	APPROVED BY	DATE
DWG NO.				REV	
2150.300B141					
RELEASE DATE					
1-14-86					

PEB 1-14-86