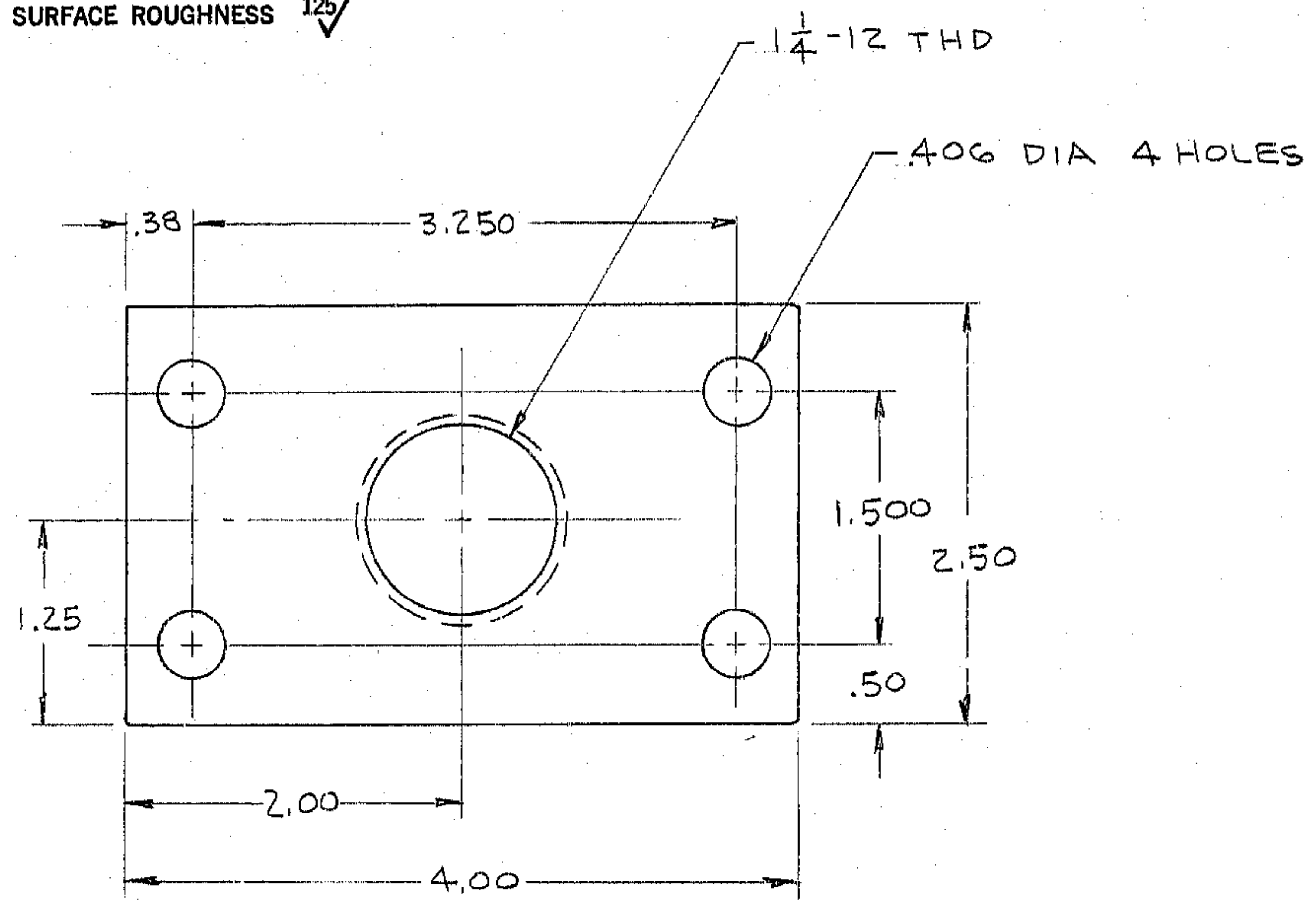


- NOTES: UNLESS OTHERWISE NOTED
 1. REMOVE ALL BURRS AND SHARP EDGES $\frac{1}{32}$ R MAX
 2. MACHINED SURFACE ROUGHNESS $\frac{125}{\sqrt{\quad}}$

REVISIONS					
LTR	DESCRIPTION	EGR	DATE	BY	APVD
A	CHG'D. RFN NO. FROM 1145 TO 1146	1863	5-17-77	D. C.	7LB



MATERIAL: STEEL
 2 REQ'D

TOLERANCES UNLESS OTHERWISE NOTED			KITT PEAK NATIONAL OBSERVATORY OPERATED BY THE ASSOCIATION OF UNIVERSITIES FOR RESEARCH IN ASTRONOMY, INC. UNDER CONTRACT WITH NATIONAL SCIENCE FOUNDATION		
DECIMALS .XX ± .03 .XXX ± .010	FRACTIONS ± 1/64	ANGULAR ± 0° 30'			
NEXT ASSEMBLY 2150.300 -E102	NAME BLOCK-JACK SCREW DAMPER ASSY. R.A. DRIVE	REF FILE 1182			
SCALE FULL	DESIGNED BY D.B. Hoey	DATE 3-17-73	APPROVED BY A.A.A.	DATE 10-19-73	DWG NO. 2150.300-B119
PRINT ISSUED	DRAWN BY D.B. Hoey	DATE 3-23-73	APPROVED BY	DATE	REV A
	CHECKED BY	DATE	APPROVED BY	DATE	RELEASE DATE 10-22-73