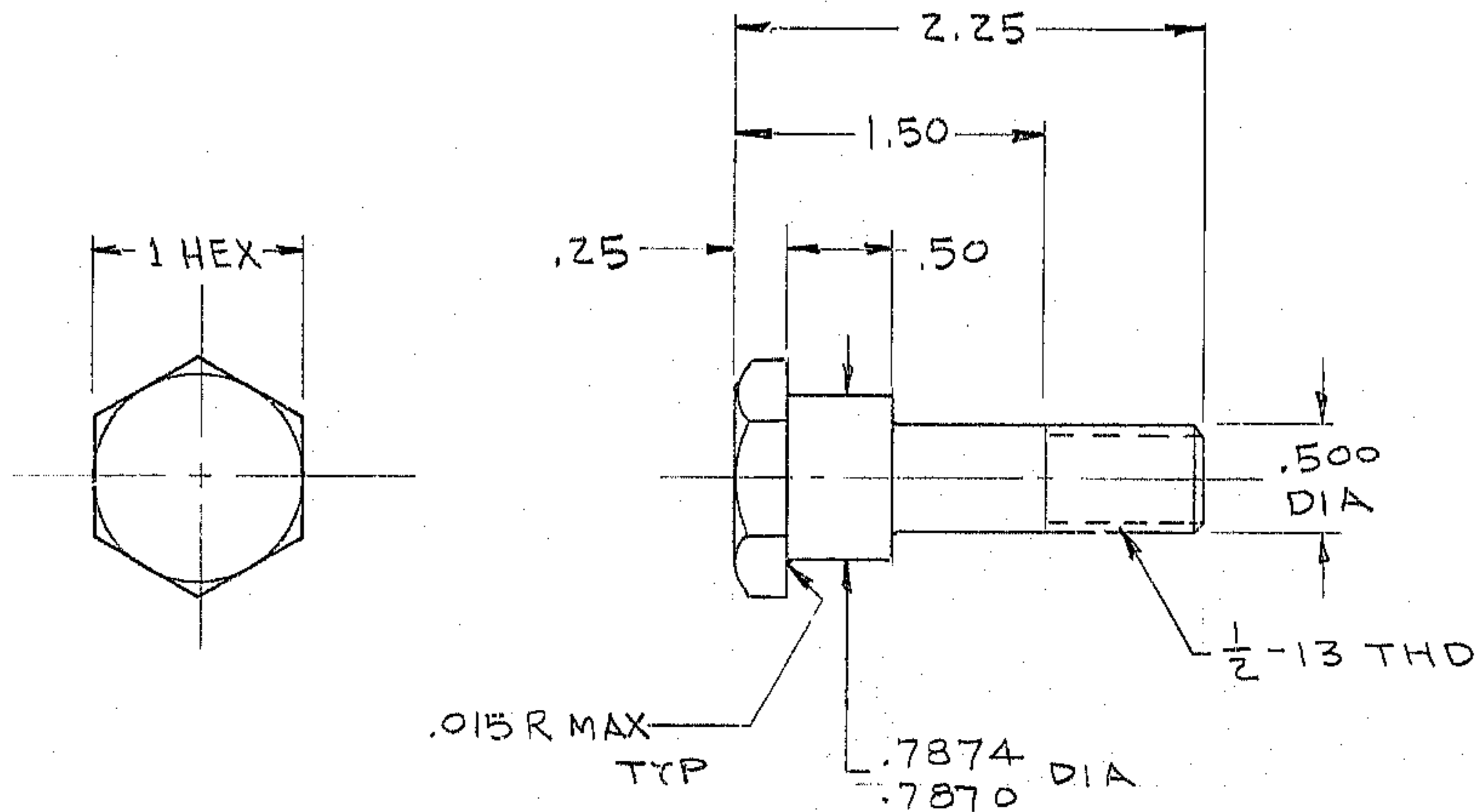


- NOTES: UNLESS OTHERWISE NOTED  
 1. REMOVE ALL BURRS AND SHARP EDGES  $\frac{1}{32}$  R MAX  
 2. MACHINED SURFACE ROUGHNESS  $\frac{125}{\sqrt{\quad}}$

REVISIONS					
LTR	DESCRIPTION	ECR	DATE	BY	APVD
A	CHG'D, RFN NO. FROM 1145 TO 1146	1863	5-17-77	D.L. B.	Z.P.



MATERIAL: STEEL  
 Z REQ'D

TOLERANCES UNLESS OTHERWISE NOTED DECIMALS    FRACTIONS    ANGULAR .XX ± .03            ± $\frac{1}{64}$ ± 0° 30'			<b>KITT PEAK NATIONAL OBSERVATORY</b> OPERATED BY THE ASSOCIATION OF UNIVERSITIES FOR RESEARCH IN ASTRONOMY, INC. UNDER CONTRACT WITH NATIONAL SCIENCE FOUNDATION			
NEXT ASSEMBLY 2150.300 -E10Z		NAME SHAFT- GUIDE ROLLER DAMPER ASSY. R.A. DRIVE		REF FILE 1182		
SCALE FULL	DESIGNED BY J.P.B. / J.D.	DATE 3-17-73	APPROVED BY A.A.A.	DATE 10-19-73	DWG NO. 2150.300-B116	REV A
PRINT ISSUED	DRAWN BY J.P.B. / J.D.	DATE 3-27-73	APPROVED BY	DATE	RELEASE DATE 10-22-73	
	CHECKED BY	DATE	APPROVED BY	DATE		

KAC 10-22-73