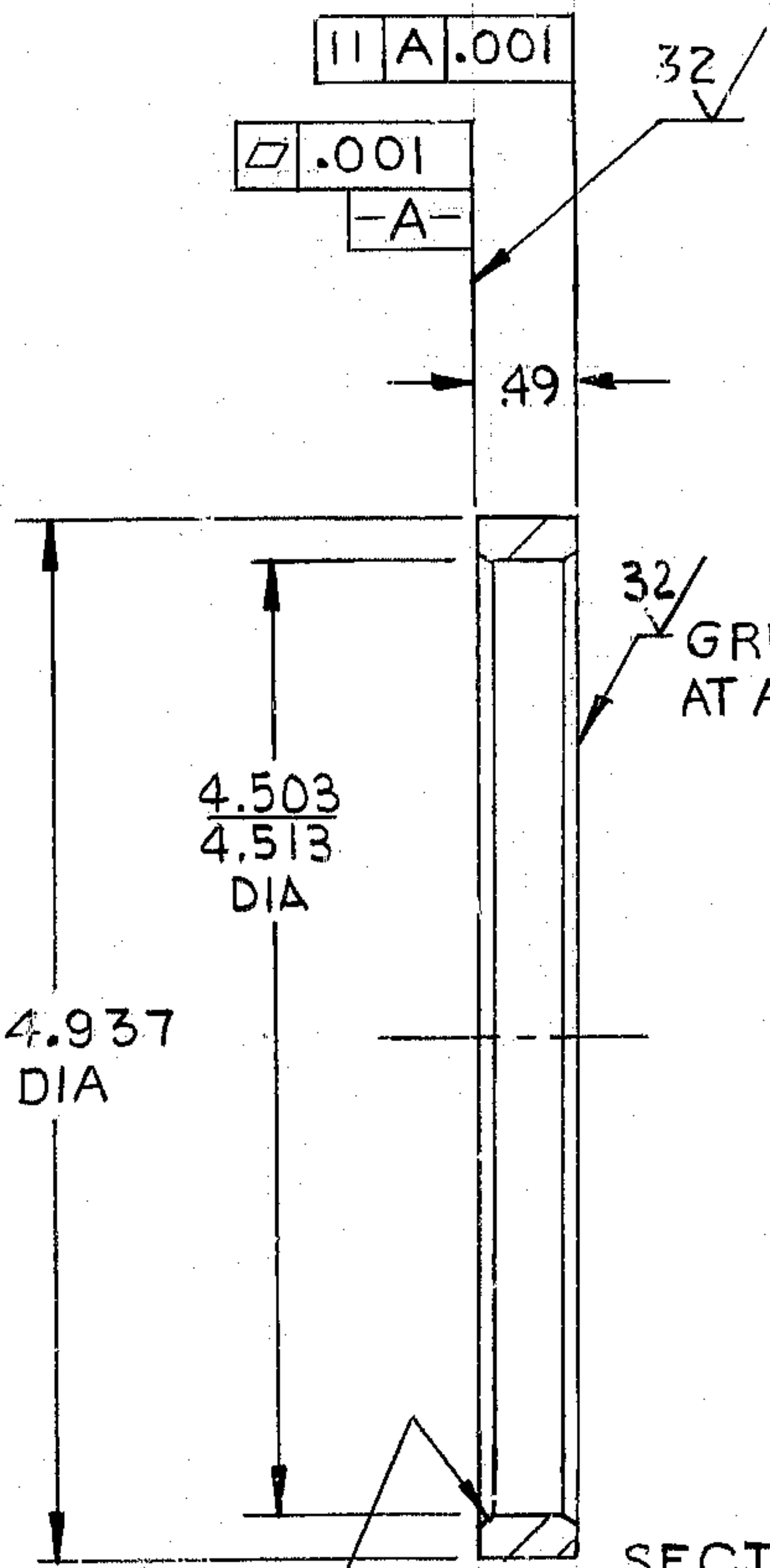
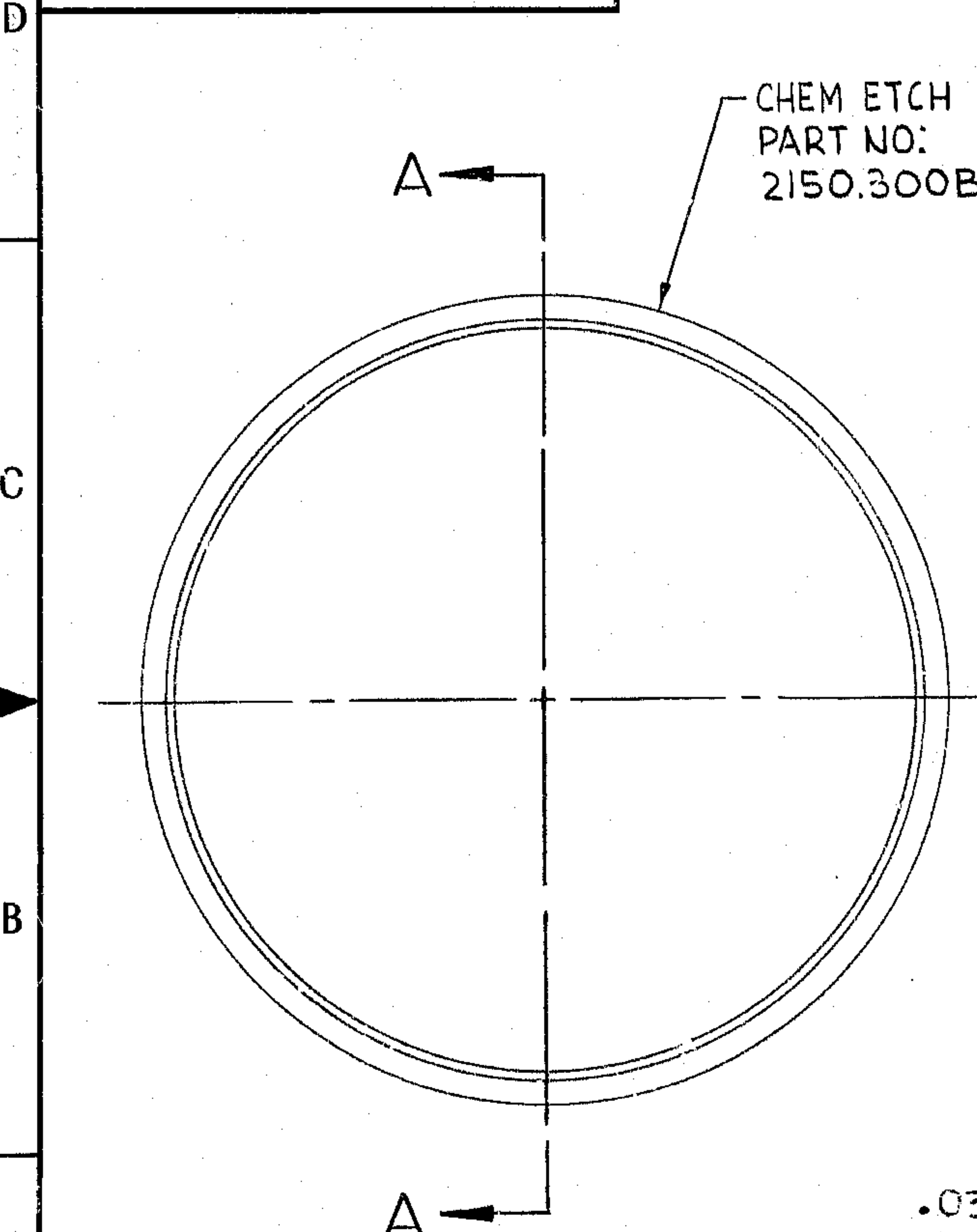


THIS DOCUMENT CONTAINS INFORMATION PROPRIETARY TO WESTERN GEAR CORPORATION. ALL DESIGN, MANUFACTURING, REPRODUCTION, USE, PATENT, AND SALES RIGHTS REGARDING THE SAME ARE HEREBY EXPRESSLY RESERVED BY WESTERN GEAR CORPORATION. THIS DOCUMENT IS SUBMITTED FOR REFERENCE PURPOSES ONLY AND SHALL NOT BE DISCLOSED TO ANY UNAUTHORIZED PERSON OR INCORPORATED INTO ANY OTHER PROJECT.

REVISIONS

ZONE	LTR	DESCRIPTION	DATE	APPROVED



- NOTES: UNLESS OTHERWISE SPECIFIED:
- 1.- ALL DIMENSIONS ARE IN INCHES.
 - 2.- INTERPRET DIMENSIONING & TOLERANCING PER USA STANDARD USAS1-Y14.5-1966.
 - 3.- SURFACE ROUGHNESS 125/ ALL OVER PER USA STANDARD USAS-B46.1-1962.
 - 4.- MATERIAL: STL 4130 PER QQ-S-624.

REF. FILE 1181

SECTION A-A

NEXT ASSY: 2150.300E002(82402-44175R2)

.030 X 45° CHAM TYP

<p>LIMITS ON MACHINED DIMENSIONS EXCEPT AS NOTED</p> <p>ANGULAR ± 1° 0'</p> <p>LINEAR</p> <p>X = ± .1</p> <p>.XX = ± .03</p> <p>.XXX = ± .010</p> <p>FRACTIONAL ± 1/32</p> <p>BREAK ALL SHARP EDGES</p>	150 IN. STELLAR TELESCOPE MTG	WESTERN HEAVY MACHINERY DIVISION GEAR CORPORATION EVERETT, WASHINGTON	
	<p>DRAWN <i>J.L. Bell</i> 7-28-69</p> <p>CHECK <i>B. SIKI</i> 10-24-69</p> <p>ENGR</p>	RING SPACER — DRIVE GEARBOX	
	82402-44175C24	<p>SIZE B</p> <p>CODE IDENT NO. 16603</p> <p>2150.300 B024</p>	REV
	<p>APPROVED <i>[Signature]</i></p>	<p>SCALE 1/1</p> <p>WT. LB</p> <p>SHEET 1 OF 1</p>	<p>44175C24</p>