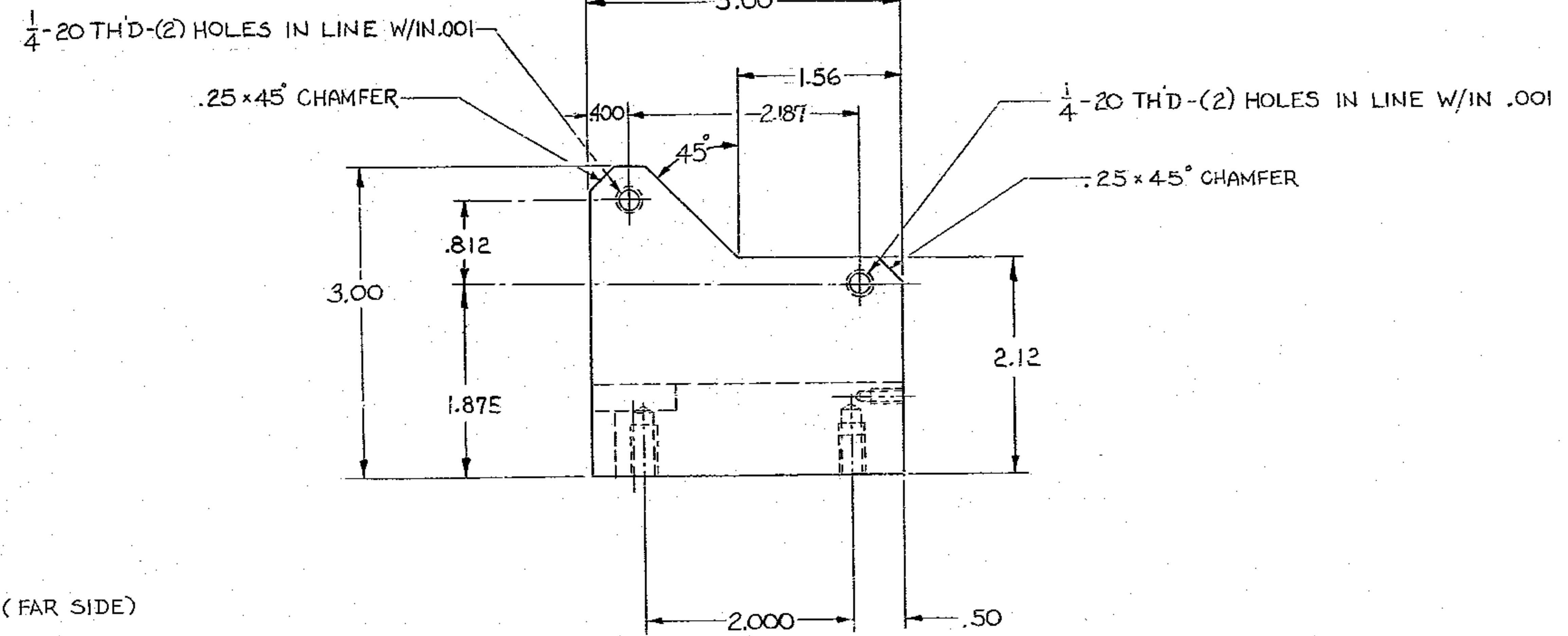
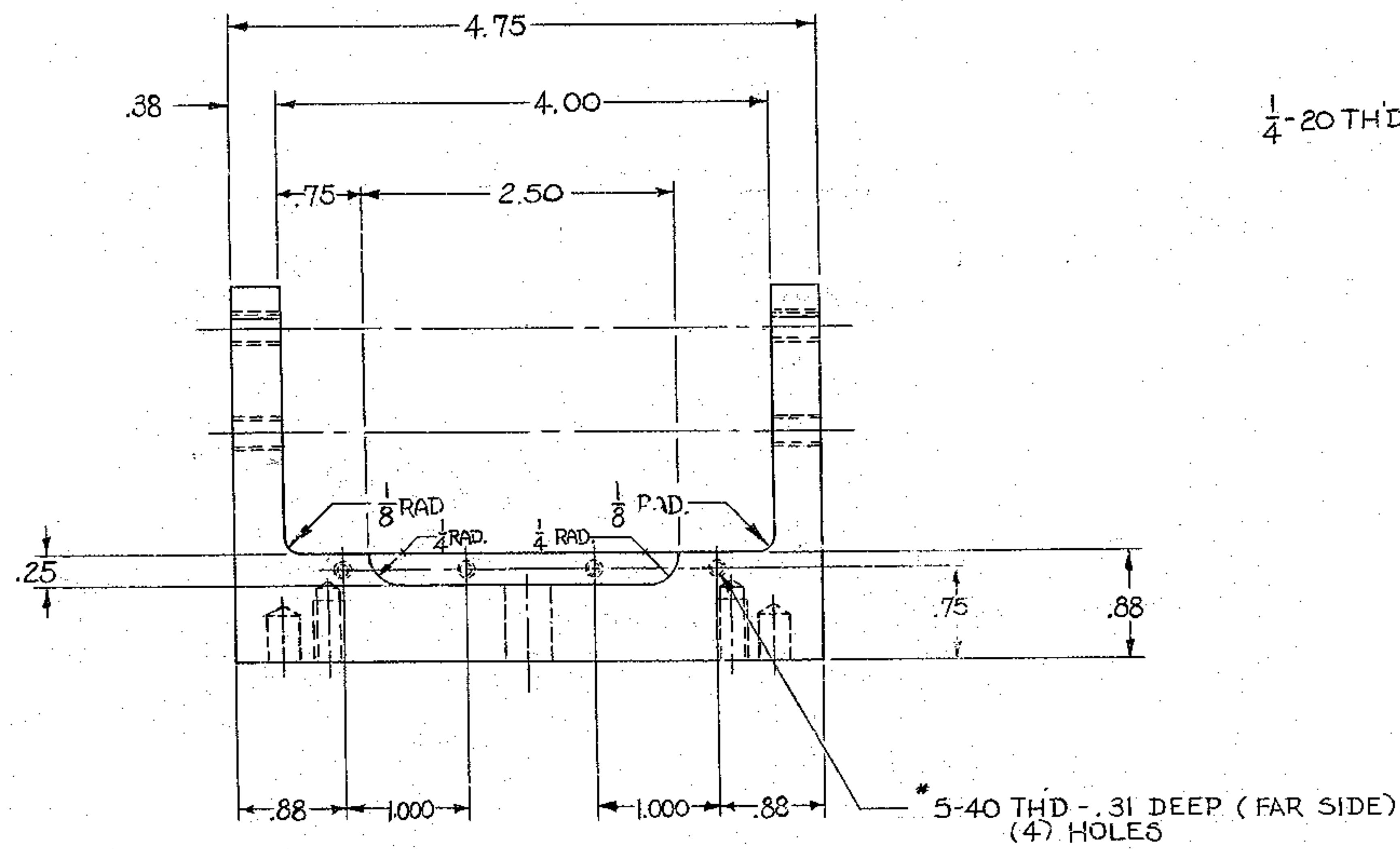
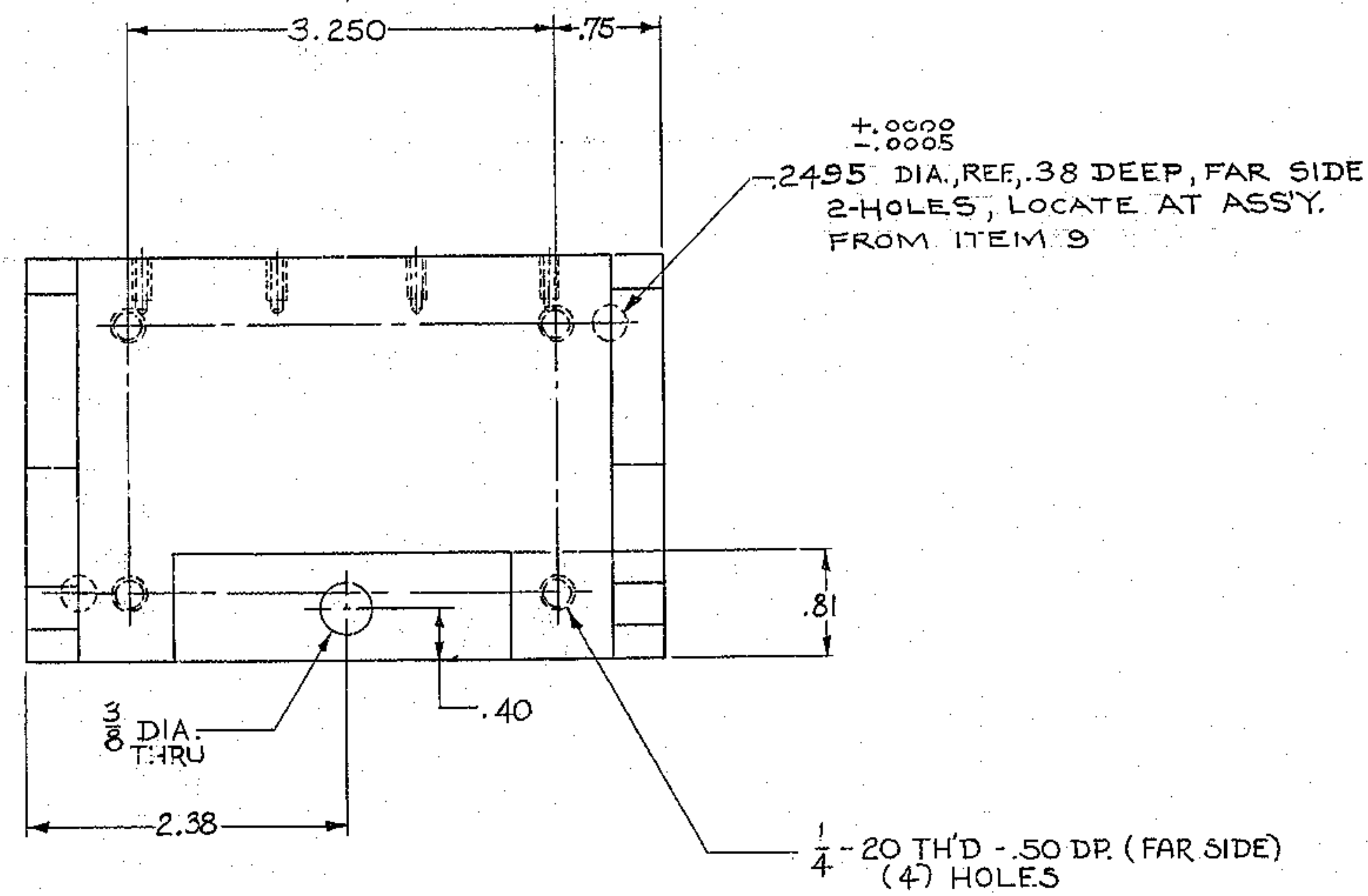


BILL OF MATERIAL

ITEM	QTY.	MATERIAL	DESCRIPTION	WEIGHT
------	------	----------	-------------	--------



MATERIAL: 1020 HOT ROLLED STEEL  
FINISH: CADMIUM PLATE

FOR ASSEMBLY SEE 2150.290-E002  
2150.290-E102

TOLERANCES UNLESS OTHERWISE NOTED		KITT PEAK NATIONAL OBSERVATORY	
DECIMAL DIMENSIONS 00.00 ± 0.10 00.000 ± .003		OPERATED BY THE ASSOCIATION OF UNIVERSITIES FOR RESEARCH IN ASTRONOMY, INC. UNDER CONTRACT WITH NATIONAL SCIENCE FOUNDATION	
FRACTIONAL DIMENSIONS UP TO 18" ± 1/64 18" TO 50" ± 1/32 50" & OVER ± 1/16		150" STELLAR TELESCOPE REF. FILE 1180	
BREAK SHARP EDGES .02		NAME GIMBAL YOKE	
ALL SURFACES TO HAVE 125 FINISH UNLESS OTHERWISE NOTED.		HORIZON DISCRIMINATING SWITCH	
DESIGNED BY J. P. H. DATE 11-5-70		APPROVED BY A. A. A. DATE 11-10-70	DRAWING NUMBER 2150.290-D013
DRAWN BY G. FORD DATE 11-5-70		APPROVED BY G. FORD DATE 11-10-70	REV.
CHECKED BY DATE 12-30-70		APPROVED BY DATE 11-10-70	
LET.	REVISION	ECR	DATE BY