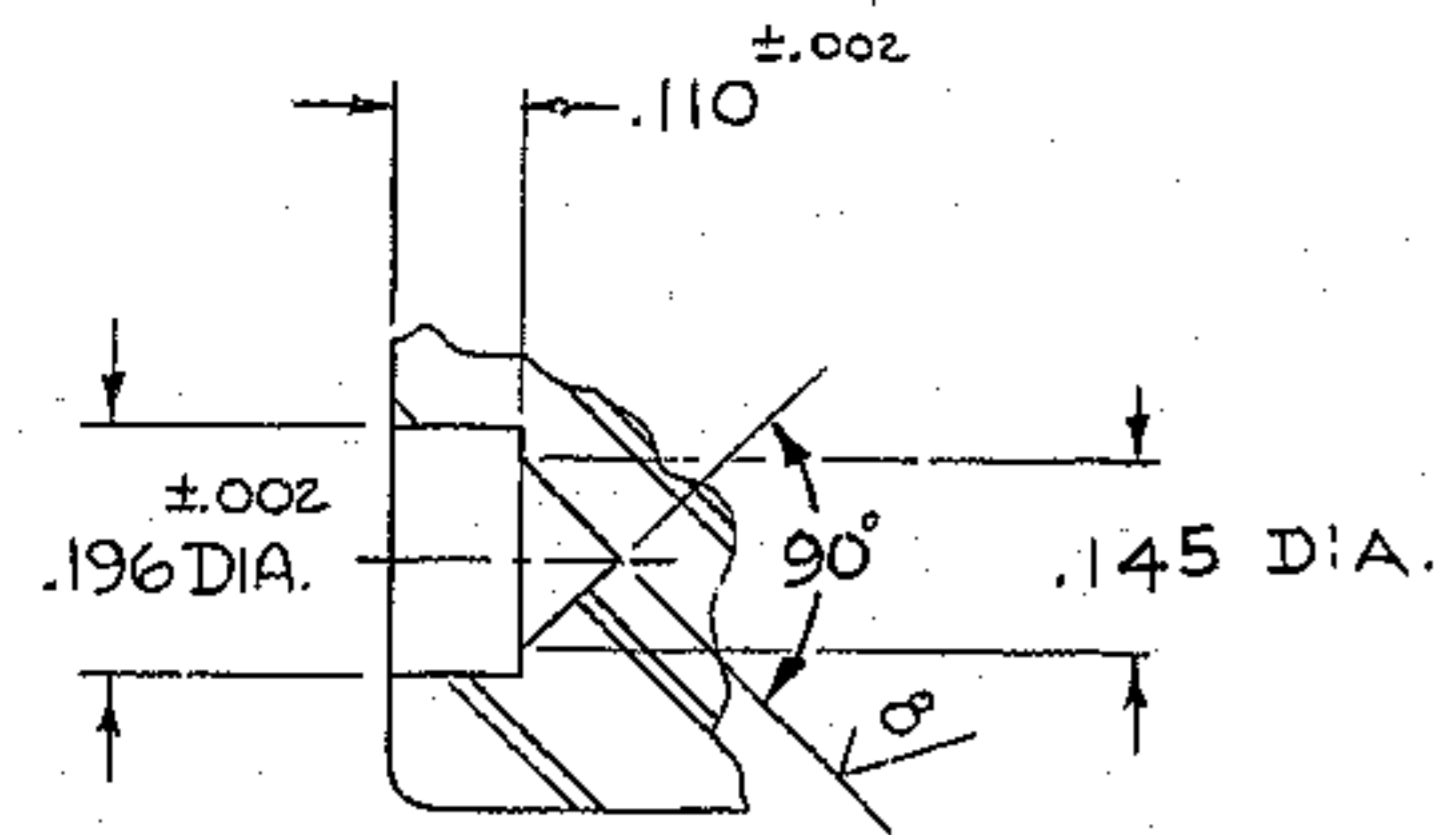
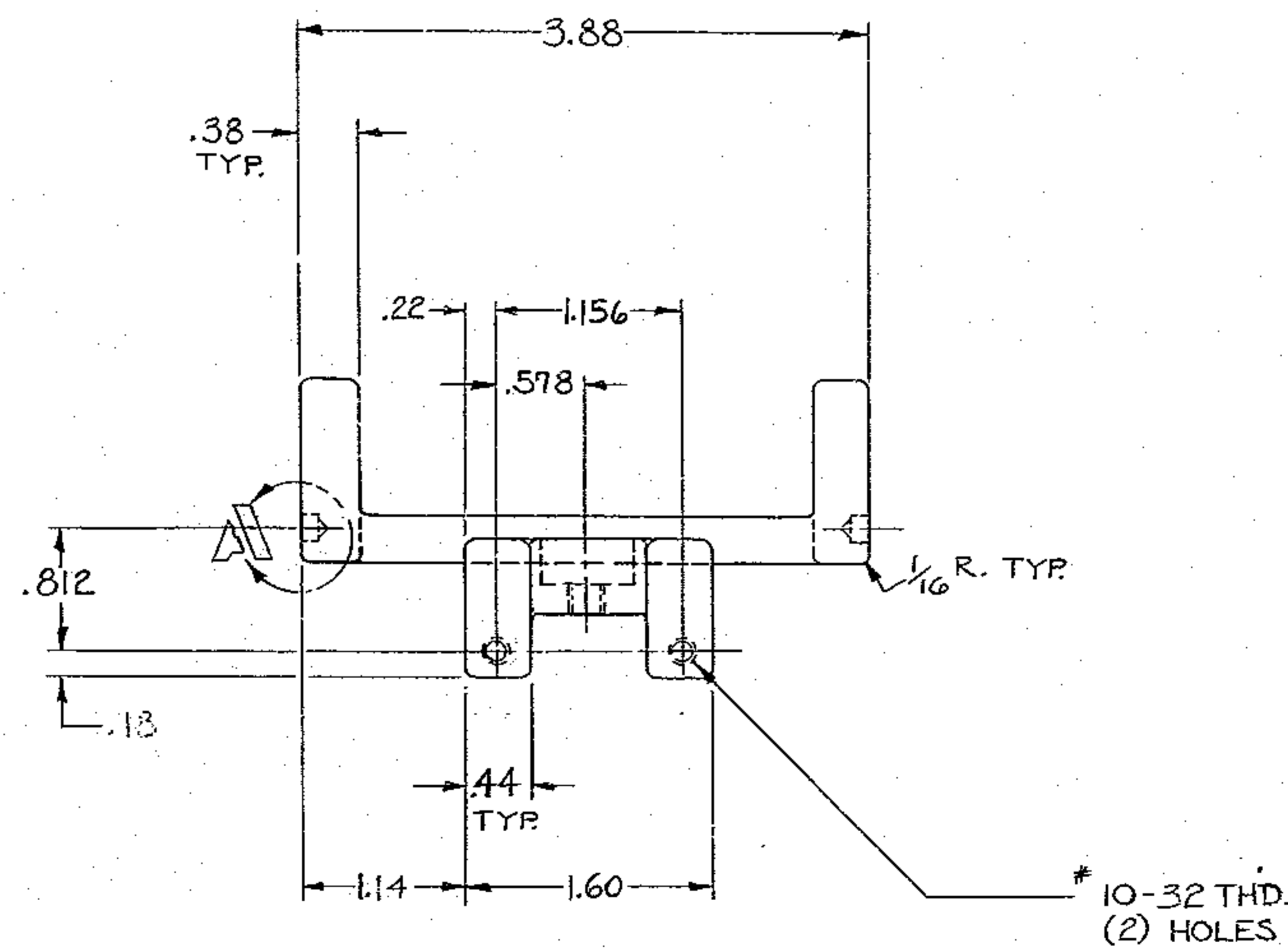
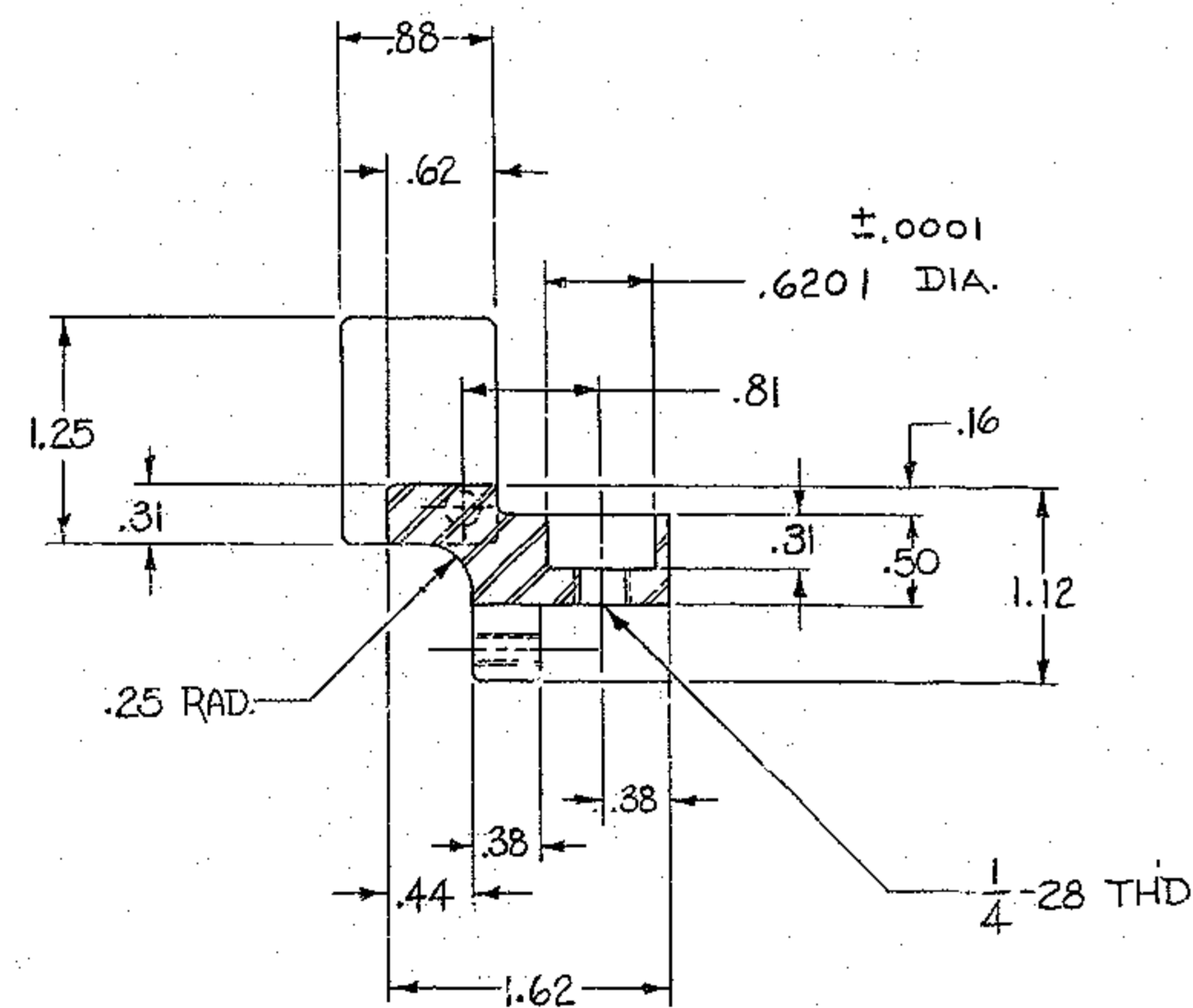
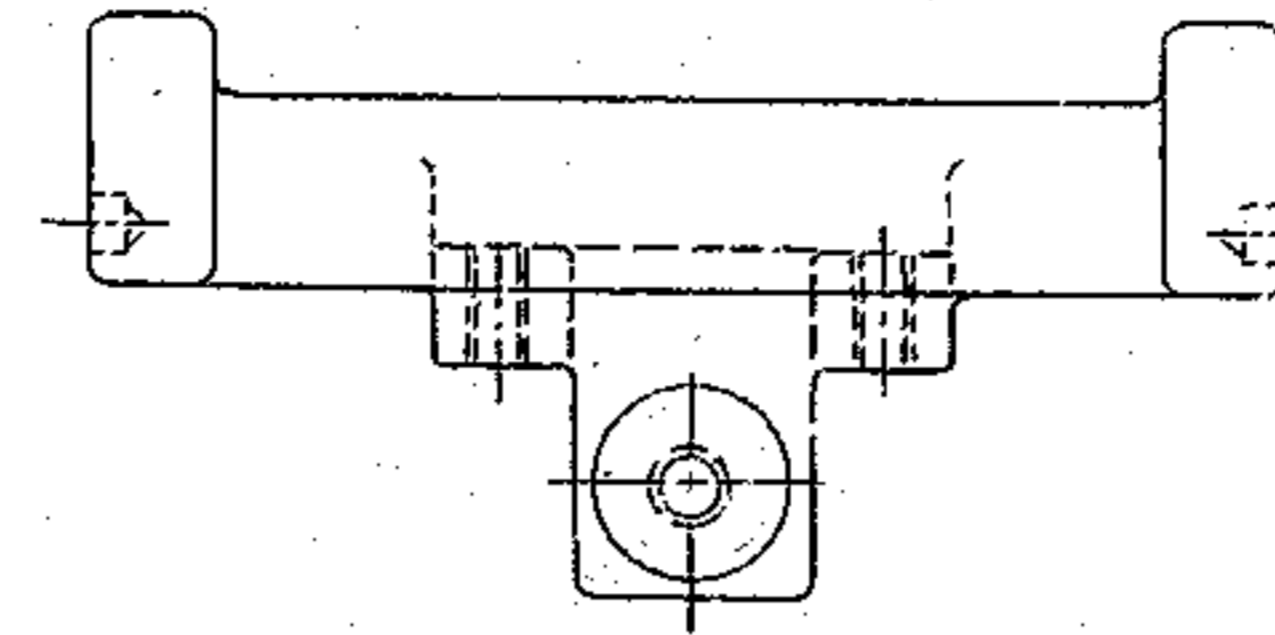


BILL OF MATERIAL

ITEM	QTY	MATERIAL	DESCRIPTION	WEIGHT
------	-----	----------	-------------	--------



DETAIL A (TYP)
(2) PLACES - 4 × SIZE



MATERIAL: # 416 STAINLESS STEEL

FOR ASSEMBLY SEE 2150.290-E002
2150.290-E102

TOLERANCES UNLESS OTHERWISE NOTED		KITT PEAK NATIONAL OBSERVATORY	
DECIMAL DIMENSIONS 00.00 ± .010 00.000 ± .003		OPERATED BY THE ASSOCIATION OF UNIVERSITIES FOR RESEARCH IN ASTRONOMY, INC. UNDER CONTRACT WITH NATIONAL SCIENCE FOUNDATION	
FRACTIONAL DIMENSIONS UP TO 18' ± 1/64 18' TO 50' ± 1/32 50' & OVER ± 1/16		150" STELLAR TELESCOPE REF. FILE 1180	
BREAK SHARP EDGES - .02		NAME SWITCH ACTUATING LEVER HORIZON DISCRIMINATING SWITCH SCALE FULL PRINT ISSUED	
ALL SURFACES TO HAVE 125 FINISH UNLESS OTHERWISE NOTED.		DRAWING NUMBER 2150.290-D012	
DESIGNED BY J. P. H.	DATE 11-5-69	APPROVED BY A. A. A.	DATE 11-10-70
DRAWN BY G. FORD	DATE 11-5-69	APPROVED BY	DATE
CHECKED BY	DATE	APPROVED BY	DATE
LET.	REVISION	ECR	DATE BY