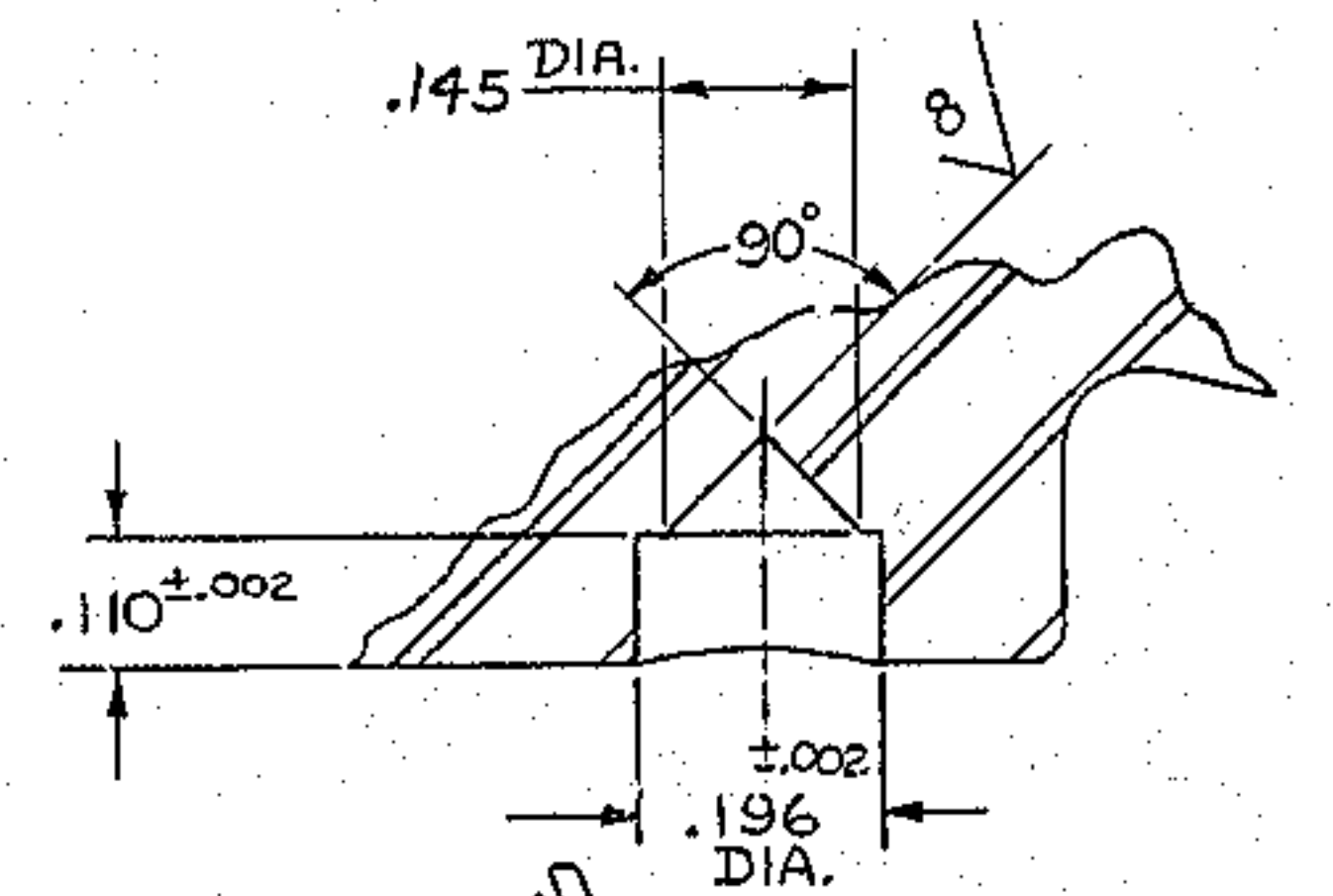
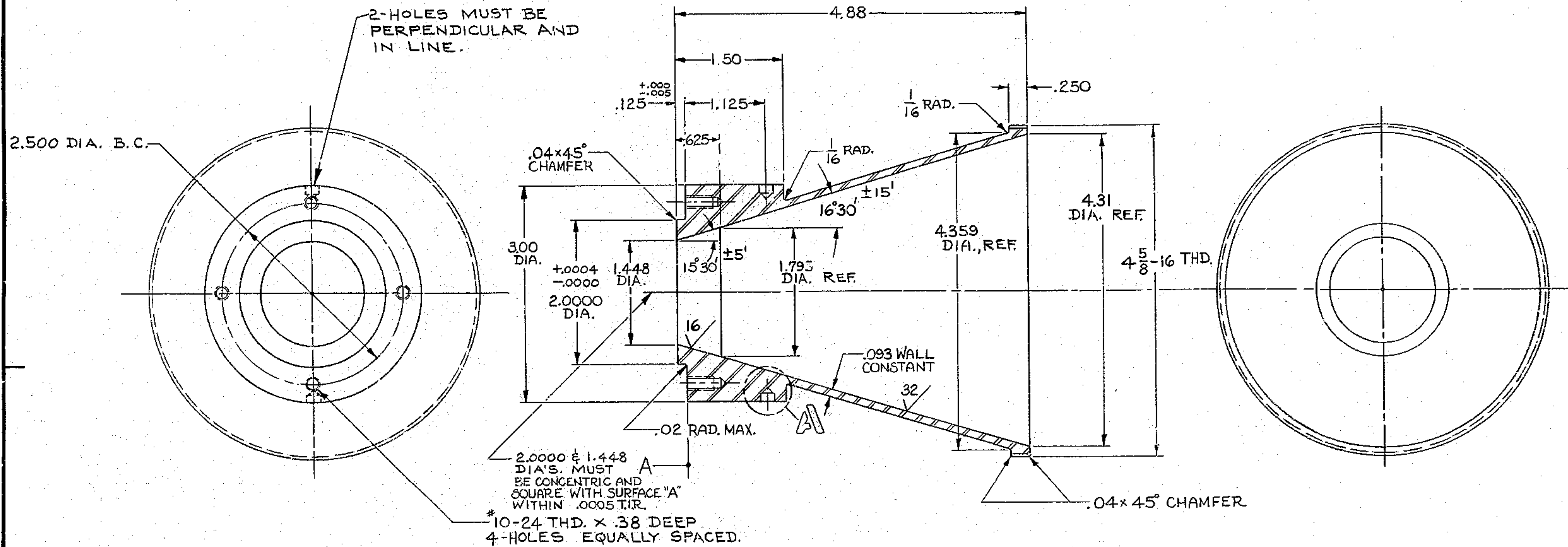


BILL OF MATERIAL

ITEM	QTY.	MATERIAL	DESCRIPTION	WEIGHT
------	------	----------	-------------	--------



DETAIL A (TYP) 2 PLACES  
4 X SIZE



MATERIAL: # 416 STAINLESS STEEL

FOR ASSEMBLY SEE 2150.290-E002

<p>TOLERANCES UNLESS OTHERWISE NOTED</p> <p>DECIMAL DIMENSIONS 00.00 ± .010 00.000 ± .003</p> <p>FRACTIONAL DIMENSIONS UP TO 18" ± 1/64 18" TO 50" ± 1/32 50" &amp; OVER ± 1/16</p> <p>BREAK SHARP EDGES .02</p> <p>ALL SURFACES TO HAVE 125/ FINISH UNLESS OTHERWISE NOTED.</p>		<p><b>KITT PEAK NATIONAL OBSERVATORY</b></p> <p>OPERATED BY THE ASSOCIATION OF UNIVERSITIES FOR RESEARCH IN ASTRONOMY, INC. UNDER CONTRACT WITH NATIONAL SCIENCE FOUNDATION</p> <p>150" STELLAR TELESCOPE REF. FILE 1180</p> <p>NAME: CONE 15° HORIZON DISCRIMINATING SWITCH SCALE FULL PRINT ISSUED</p>			
DESIGNED BY J. B. H.	DATE 11-5-69	APPROVED BY A. J. J.	DATE 11-19-70	DRAWING NUMBER 2150.290-D004	REV.
DRAWN BY G. FORD	DATE 11-5-69	APPROVED BY	DATE		
CHECKED BY	DATE	APPROVED BY	DATE		
LET.	REVISION	ECR	DATE	BY	