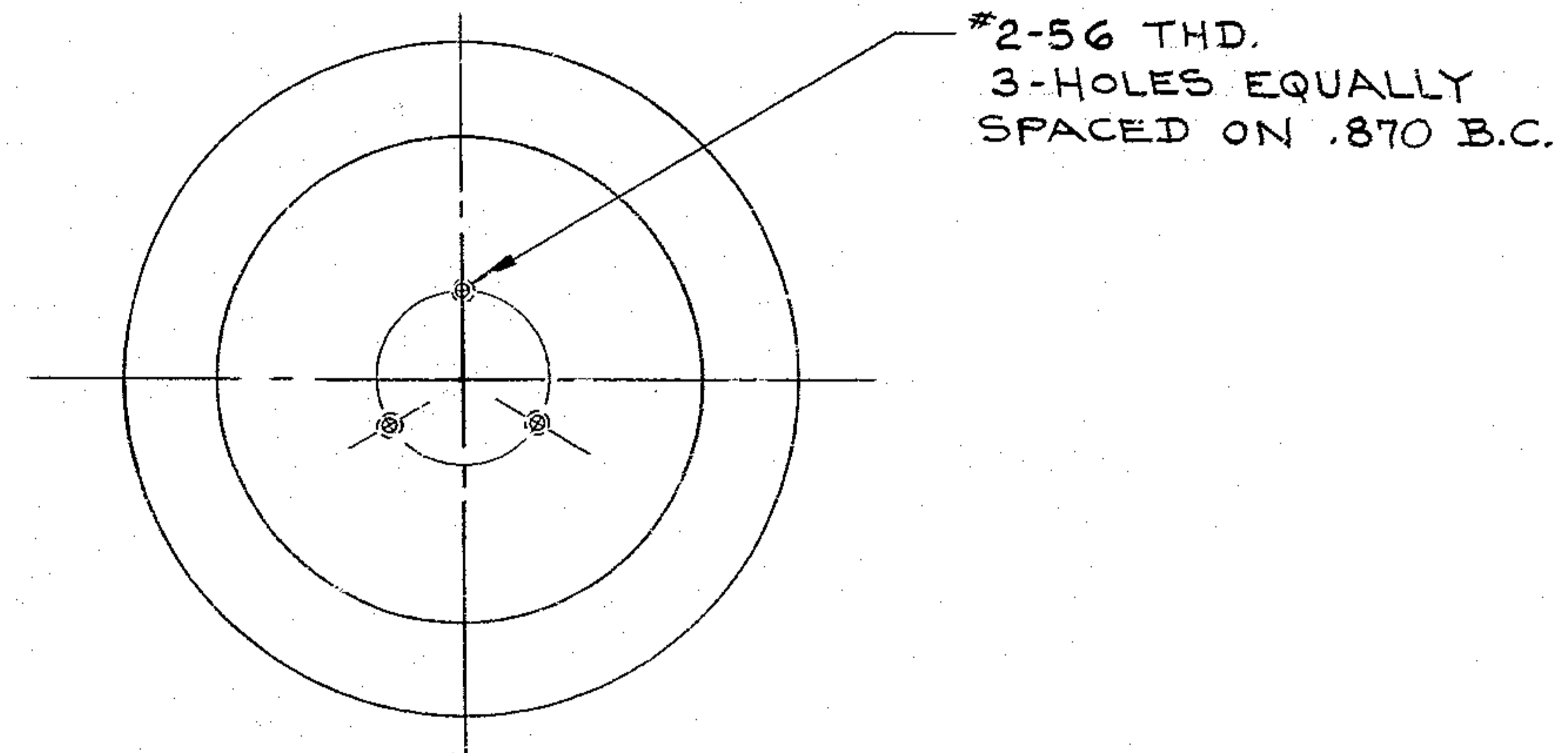
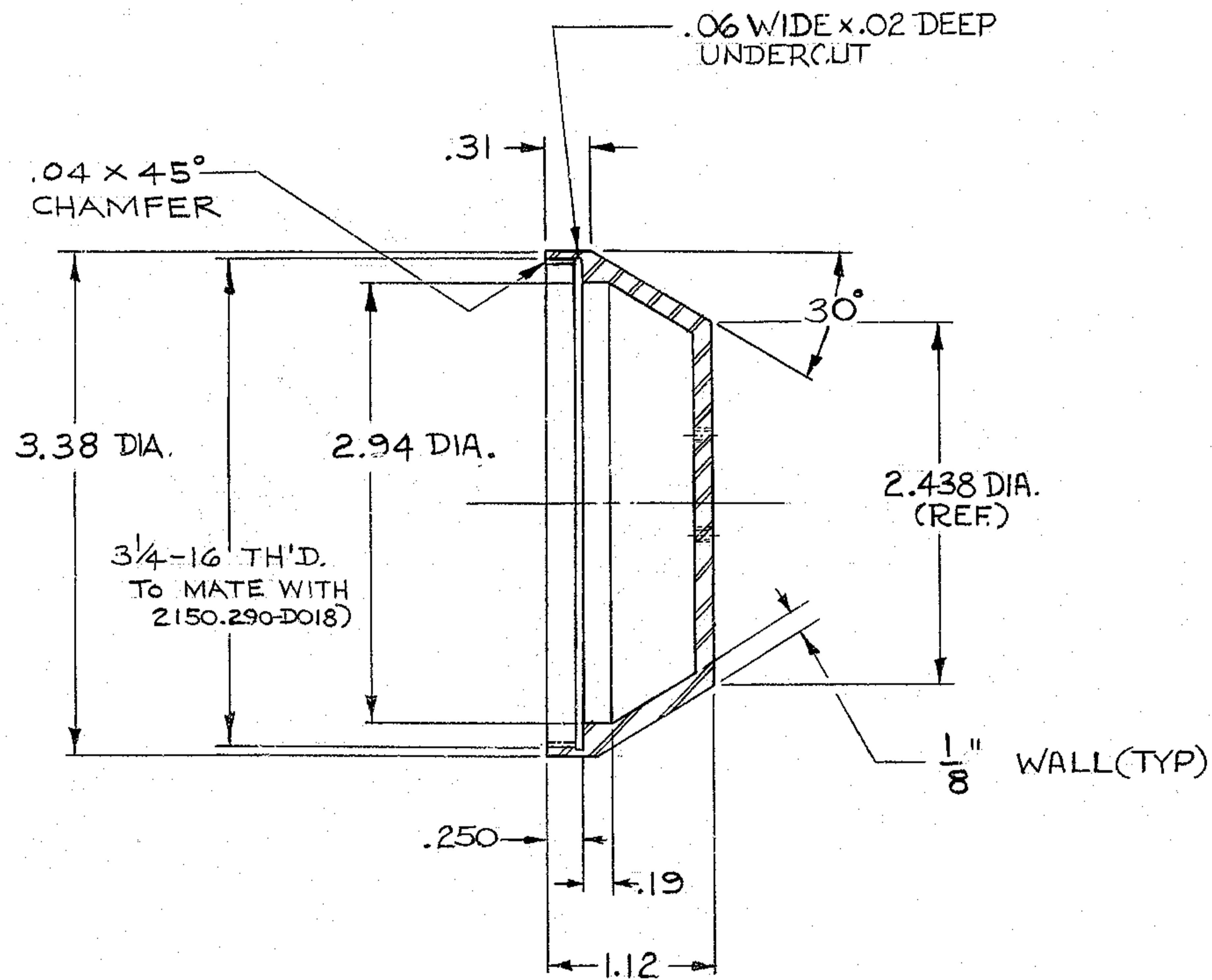


BILL OF MATERIAL

ITEM	QTY.	MATERIAL	DESCRIPTION	WEIGHT
------	------	----------	-------------	--------



MATERIAL: 2024T4
FINISH: CLEAR SULFURIC ANODIZE

FOR ASSEMBLY SEE 2150.290-E102

				TOLERANCES UNLESS OTHERWISE NOTED DECIMAL DIMENSIONS 00.00 ± .010 00.000 ± .003 FRACTIONAL DIMENSIONS UP TO 18" ± 1/64 18" TO 50" ± 1/32 50" & OVER ± 1/16 BREAK SHARP EDGES-.02 ALL SURFACES TO HAVE 125/ FINISH UNLESS OTHERWISE NOTED.		KITT PEAK NATIONAL OBSERVATORY OPERATED BY THE ASSOCIATION OF UNIVERSITIES FOR RESEARCH IN ASTRONOMY, INC. UNDER CONTRACT WITH NATIONAL SCIENCE FOUNDATION	
				150" STELLAR TELESCOPE		REF. FILE 1180	
				NAME SCREW CAP 6° HORIZON DISCRIMINATING SWITCH		SCALE FULL PRINT ISSUED	
DESIGNED BY		DATE		APPROVED BY		DATE	
U. B. H.		11-5-69		A. A. A.		11-10-70	
DRAWN BY		DATE		APPROVED BY		DATE	
G. FORD		11-5-69					
CHECKED BY		DATE		APPROVED BY		DATE	
John Brown		12-30-70		G. F.		11-10-70	
DRAWING NUMBER				REV.			
2150.290-C103							
LET.	REVISION	ECR	DATE	BY			