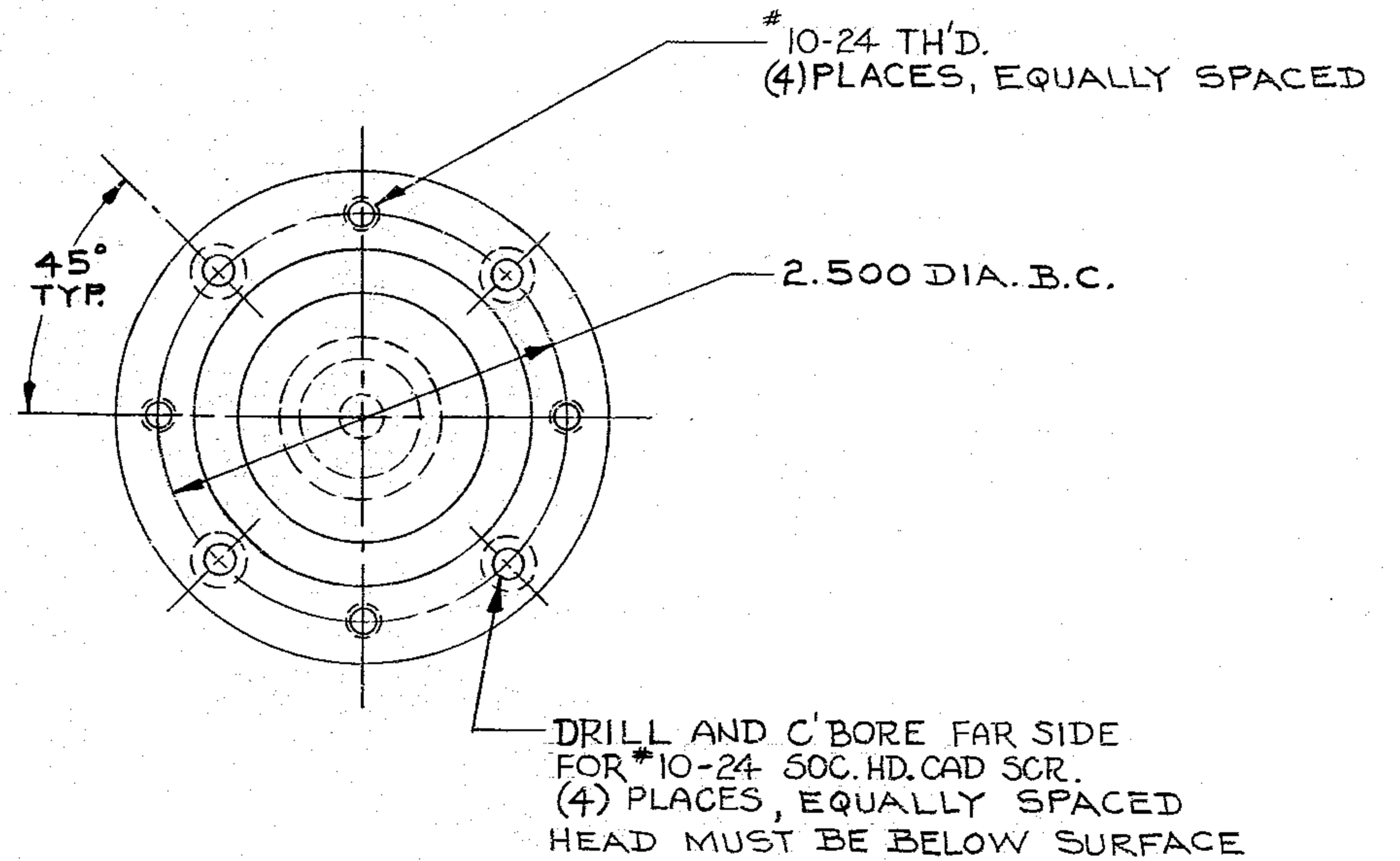
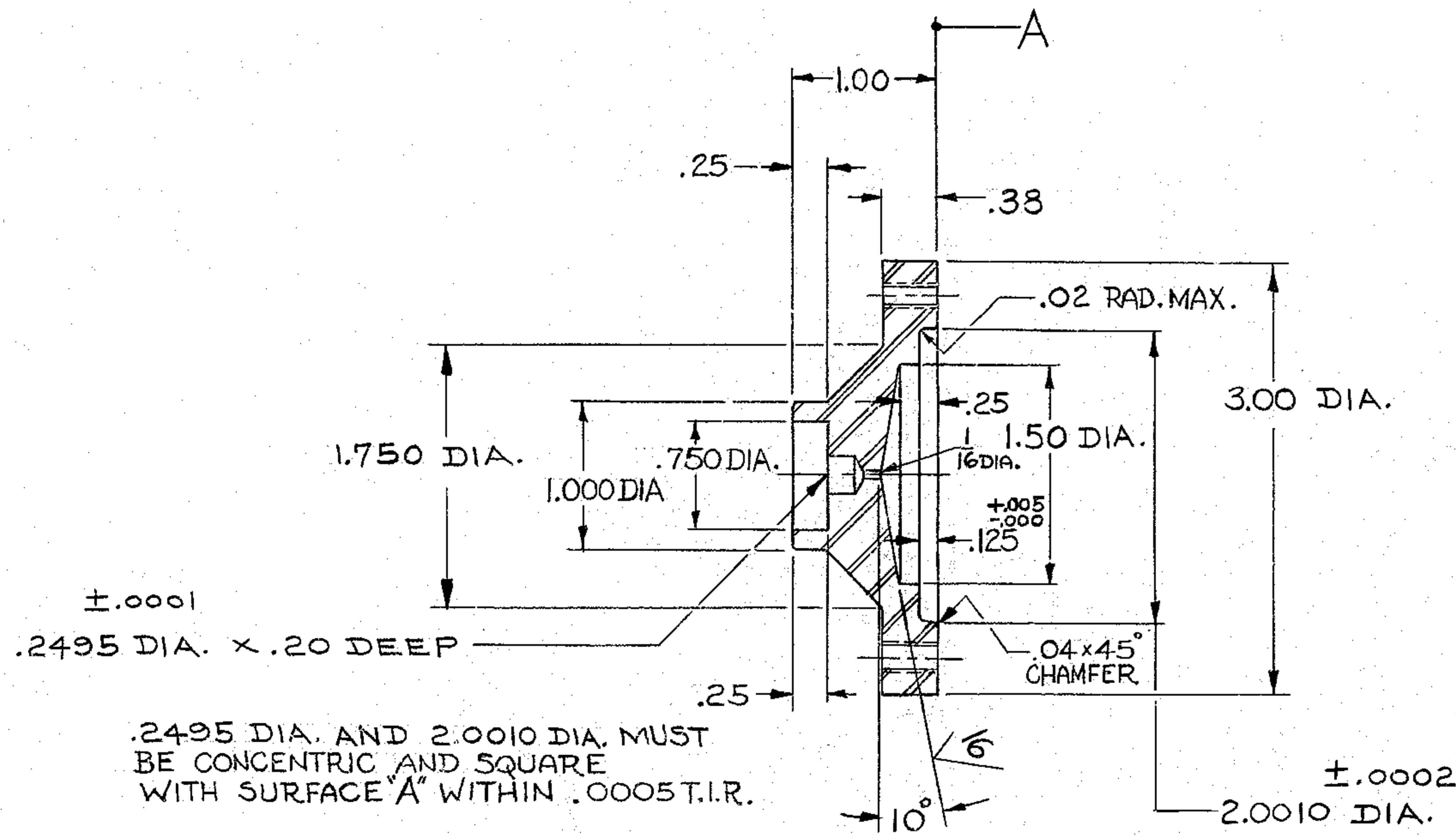


BILL OF MATERIAL

ITEM	QTY.	MATERIAL	DESCRIPTION	WEIGHT
------	------	----------	-------------	--------



MATERIAL: # 416 STAINLESS STEEL

FOR ASSEMBLY SEE 2150.290-E002
2150.290-E102

				TOLERANCES UNLESS OTHERWISE NOTED DECIMAL DIMENSIONS 00.00 ± .010 00.000 ± .003 FRACTIONAL DIMENSIONS UP TO 18" ± 1/64 18" TO 50" ± 1/32 50" & OVER ± 1/16 BREAK SHARP EDGES .02 ALL SURFACES TO HAVE 125/ FINISH UNLESS OTHERWISE NOTED.		KITT PEAK NATIONAL OBSERVATORY OPERATED BY THE ASSOCIATION OF UNIVERSITIES FOR RESEARCH IN ASTRONOMY, INC. UNDER CONTRACT WITH NATIONAL SCIENCE FOUNDATION	
				150" STELLAR TELESCOPE REF. FILE 1180		NAME CAP SCALE FULL	
				HORIZON DISCRIMINATING SWITCH		PRINT ISSUED	
DESIGNED BY		DATE		APPROVED BY		DATE	
J.B.H.		11-5-69		A.A.A.		11-10-70	
DRAWN BY		DATE		APPROVED BY		DATE	
G. FORD		11-5-69					
CHECKED BY		DATE		APPROVED BY		DATE	
G. W.		12-30-70		G.W.		11-10-70	
DRAWING NUMBER				REV.			
2150.290-0007							
LET.	REVISION	EGR	DATE	BY			