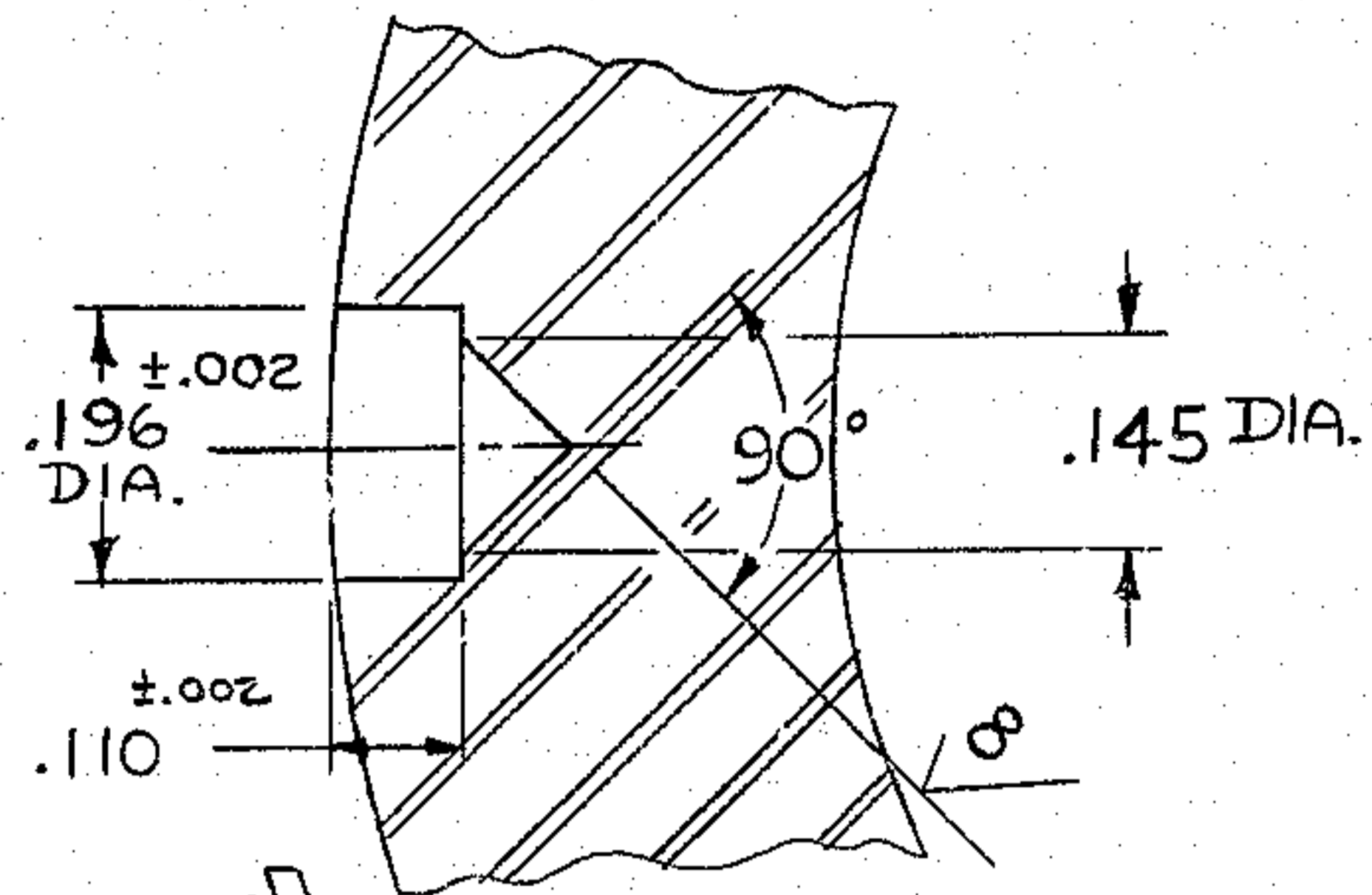
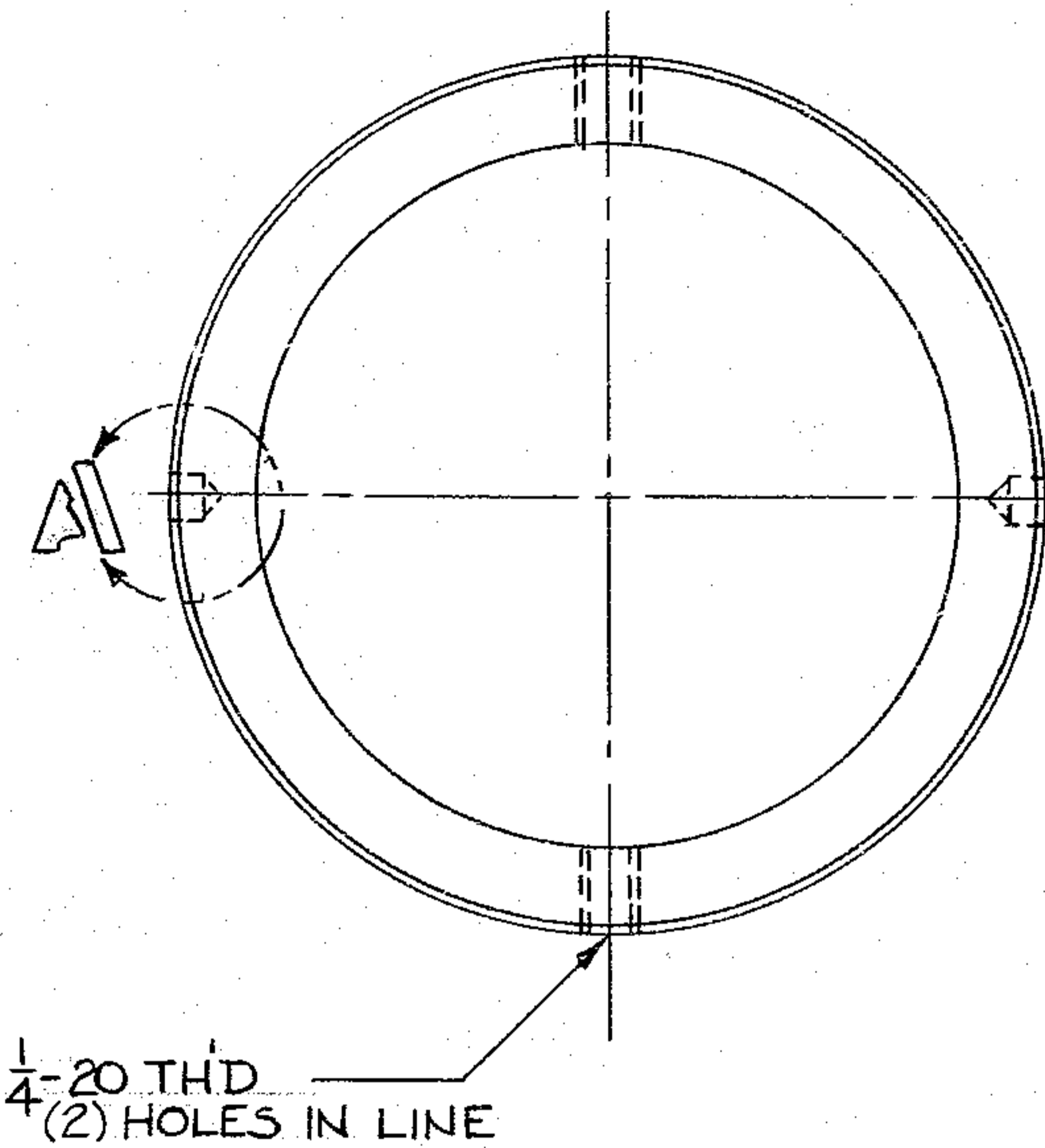
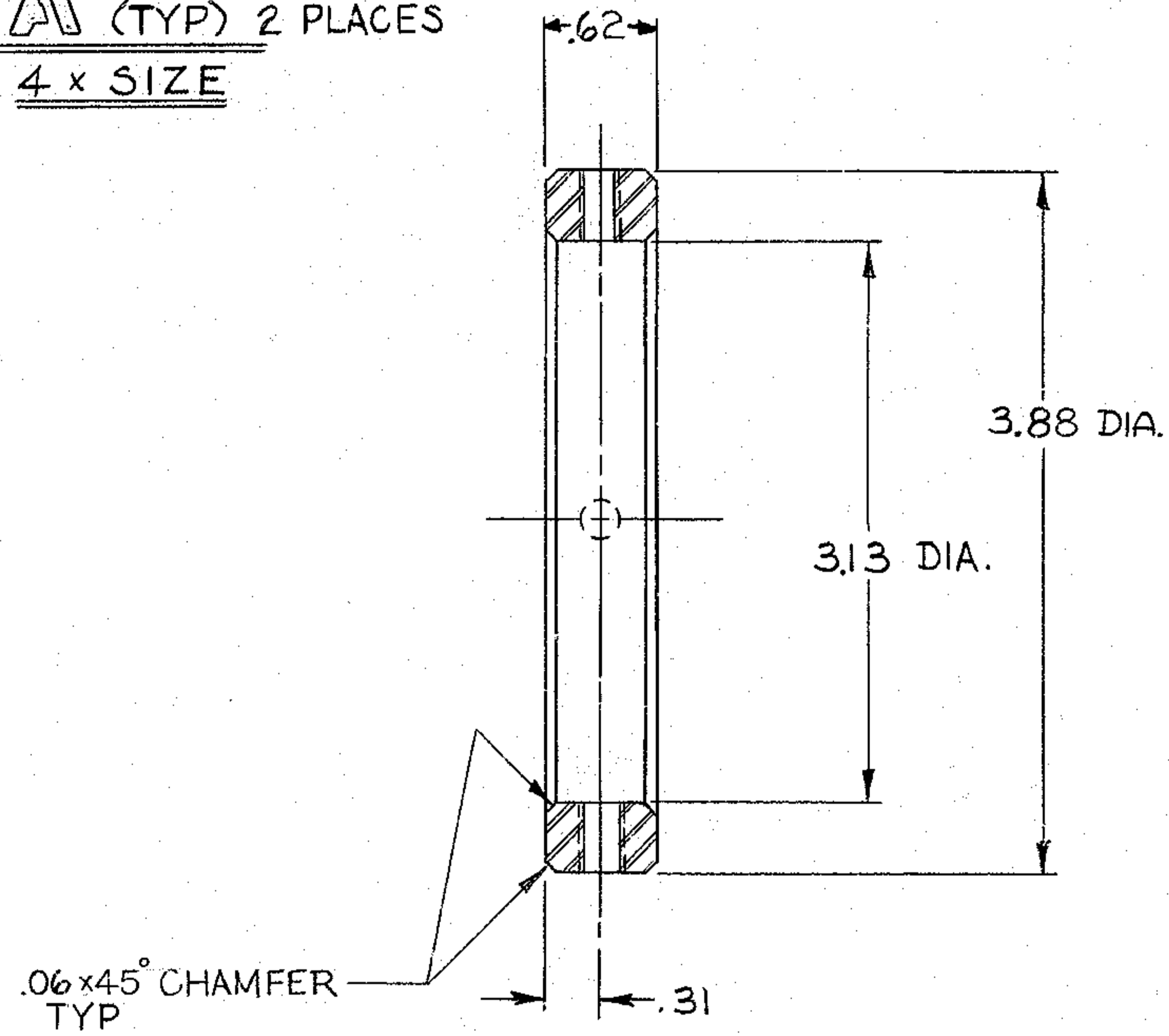


BILL OF MATERIAL

ITEM	QTY.	MATERIAL	DESCRIPTION	WEIGHT
------	------	----------	-------------	--------



DETAIL A (TYP) 2 PLACES  
4 x SIZE



MATERIAL: # 416 STAINLESS STEEL

FOR ASSEMBLY SEE 2150.290-E002  
2150.290-E102

<p><b>TOLERANCES UNLESS OTHERWISE NOTED</b></p> <p>DECIMAL DIMENSIONS 00.00 ± .010 00.000 ± .003</p> <p>FRACTIONAL DIMENSIONS UP TO 18" ± 1/64 18" TO 50" ± 1/32 50" &amp; OVER ± 1/16</p> <p>BREAK SHARP EDGES .02</p> <p>ALL SURFACES TO HAVE <math>R_{25}</math> FINISH UNLESS OTHERWISE NOTED.</p>				<p><b>KITT PEAK NATIONAL OBSERVATORY</b></p> <p>OPERATED BY THE ASSOCIATION OF UNIVERSITIES FOR RESEARCH IN ASTRONOMY, INC. UNDER CONTRACT WITH NATIONAL SCIENCE FOUNDATION</p>				
				<p>150" STELLAR TELESCOPE</p>				REF. FILE 1180
				<p>NAME GIMBAL RING</p> <p>HORIZON DISCRIMINATING SWITCH</p>				SCALE FULL
				<p>DESIGNED BY J.B.H. DATE 11-5-69</p> <p>DRAWN BY G.FORD DATE 11-5-69</p> <p>CHECKED BY [Signature] DATE 12-30-70</p>				<p>APPROVED BY A.A.A. DATE 11-10-70</p> <p>APPROVED BY [Signature] DATE 11-10-70</p>
<p>DRAWING NUMBER 2150.290-0005</p>				REV.				
LET.	REVISION	ECR	DATE	BY				