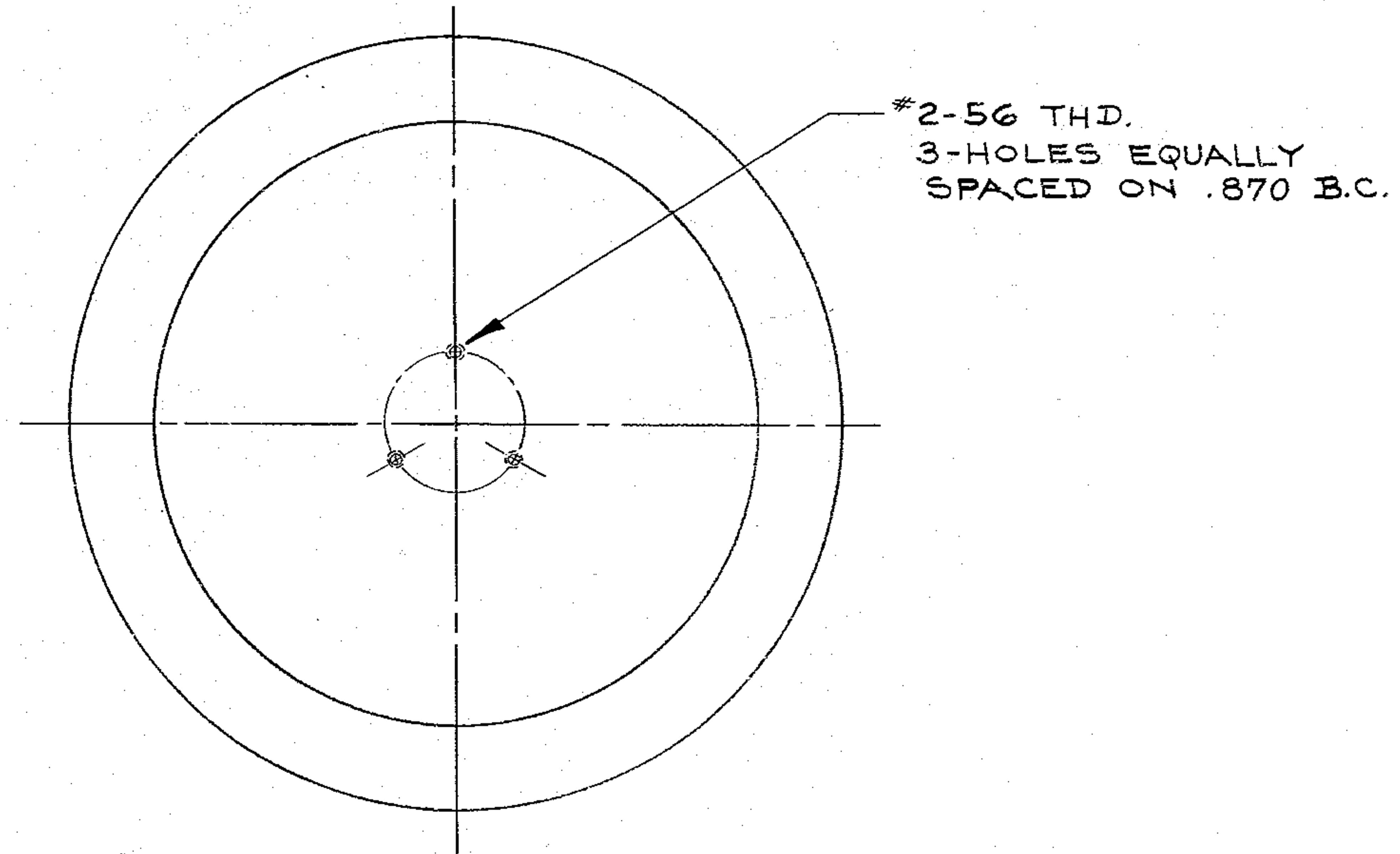
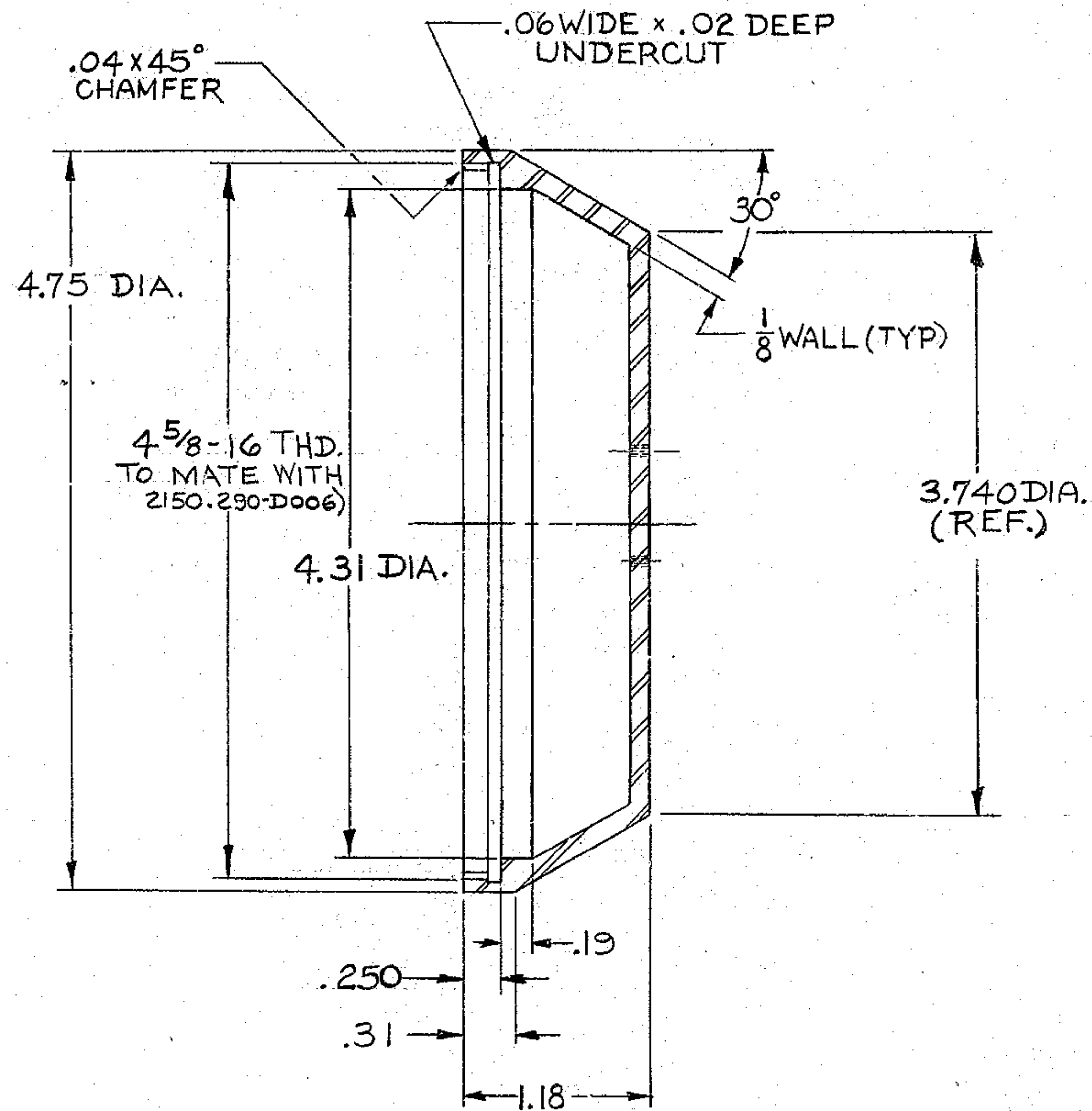


**BILL OF MATERIAL**

ITEM	QTY.	MATERIAL	DESCRIPTION	WEIGHT
------	------	----------	-------------	--------



MATERIAL: 2024T4 ALUM. ALLOY  
FINISH: CLEAR SULFURIC ANODIZE

FOR ASSEMBLY SEE 2150.290-E002

					<b>TOLERANCES UNLESS OTHERWISE NOTED</b> DECIMAL DIMENSIONS 00.00 ± .010 00.000 ± .003 FRACTIONAL DIMENSIONS UP TO 18' ± 1/64 18' TO 50' ± 1/32 50' & OVER ± 1/16 BREAK SHARP EDGES: .02 ALL SURFACES TO HAVE 125 ✓ FINISH UNLESS OTHERWISE NOTED.		<b>KITT PEAK NATIONAL OBSERVATORY</b> OPERATED BY THE ASSOCIATION OF UNIVERSITIES FOR RESEARCH IN ASTRONOMY, INC. UNDER CONTRACT WITH NATIONAL SCIENCE FOUNDATION		
							150" STELLAR TELESCOPE		REF. FILE 1180
							NAME SCREW CAP		SCALE FULL
							15° HORIZON DISCRIMINATING SWITCH		PRINT ISSUED
					DESIGNED BY J.B.H. DATE 11-5-69		APPROVED BY A.A.A. DATE 11-10-70		DRAWING NUMBER 2150.290-C003
					DRAWN BY G. FORD DATE 11-5-69		APPROVED BY DATE		REV.
					CHECKED BY DATE 12-30-70		APPROVED BY DATE 11-10-70		
LET.	REVISION	ECR	DATE	BY					